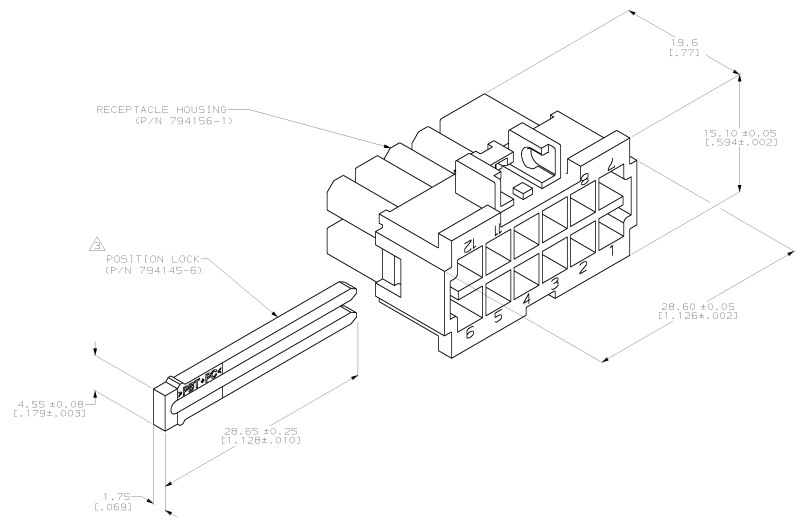


REV	REV	REV	REV	REV	REV	REV	REV	REV	REV
CM	53	1	1	1	1	1	1	1	1
REVISED					REVISED				
DESCRIPTION					DESCRIPTION				
REV PER EC 0130-0233-97					REV PER EC 0130-0233-97				

- BULK KITS CONSIST OF BAGS WHICH CONTAIN EQUAL QUANTITIES OF RECEPTACLE HOUSINGS AND POSITION LOCKS.
- RECEPTACLE HOUSINGS AND POSITION LOCKS MAY BE ORDERED SEPARATELY.
RECEPTACLE HOUSING P/N: 794155-1
POSITION LOCK P/N: 794145-5
- ⚠** TERMINAL MUST BE INSERTED INTO RECEPTACLE HOUSING SO THAT THE TOP OF THE WIRE AND INSULATION CRIMPS FACE THE INTERIOR OF THE HOUSING. INSTALL POSITION LOCK AFTER FULLY SEATING ALL TERMINATED AMP-DUAC™ SOCKET CONTACTS AND KEYING RECEPTACLES. POSITION LOCK MAY BE INSTALLED IN EITHER SIDE OF THE RECEPTACLE HOUSING.
- DIMENSIONS IN BRACKETS ARE IN INCHES.



794322-1
PART NUMBER



THIS DRAWING IS A CONTROLLED DOCUMENT.		DATE	BY	AMP	AMP Incorporated
REV	DESCRIPTION	DATE	BY	AMP	AMP Incorporated
1	INITIALS	08-15-95	JAN	AMP	AMP Incorporated
2	INITIALS	08-15-95	JAN	AMP	AMP Incorporated
3	INITIALS	08-15-95	JAN	AMP	AMP Incorporated
4	INITIALS	08-15-95	JAN	AMP	AMP Incorporated
5	INITIALS	08-15-95	JAN	AMP	AMP Incorporated
6	INITIALS	08-15-95	JAN	AMP	AMP Incorporated
7	INITIALS	08-15-95	JAN	AMP	AMP Incorporated
8	INITIALS	08-15-95	JAN	AMP	AMP Incorporated
9	INITIALS	08-15-95	JAN	AMP	AMP Incorporated
10	INITIALS	08-15-95	JAN	AMP	AMP Incorporated
11	INITIALS	08-15-95	JAN	AMP	AMP Incorporated
12	INITIALS	08-15-95	JAN	AMP	AMP Incorporated
13	INITIALS	08-15-95	JAN	AMP	AMP Incorporated
14	INITIALS	08-15-95	JAN	AMP	AMP Incorporated
15	INITIALS	08-15-95	JAN	AMP	AMP Incorporated
16	INITIALS	08-15-95	JAN	AMP	AMP Incorporated
17	INITIALS	08-15-95	JAN	AMP	AMP Incorporated
18	INITIALS	08-15-95	JAN	AMP	AMP Incorporated
19	INITIALS	08-15-95	JAN	AMP	AMP Incorporated
20	INITIALS	08-15-95	JAN	AMP	AMP Incorporated