

SCALA NON IMPERATIVA (DO NOT SCALE)
 DIMENSIONI IN mm METRIC
 DIMENSIONS IN mm PROIEZIONE EUROPEA (EUROPEAN PROJECTION)

OBSOLETE	GRIGIO (GREY)	PA 6.6 CAR. VETRO	282090-2
	NERO (BLACK)	(PA 6.6 G.F.)	282090-1
	FINITURA / COLORE (FINISH / COLOUR)	MATERIALE (MATERIAL)	NUMERO (PART NUMBER)

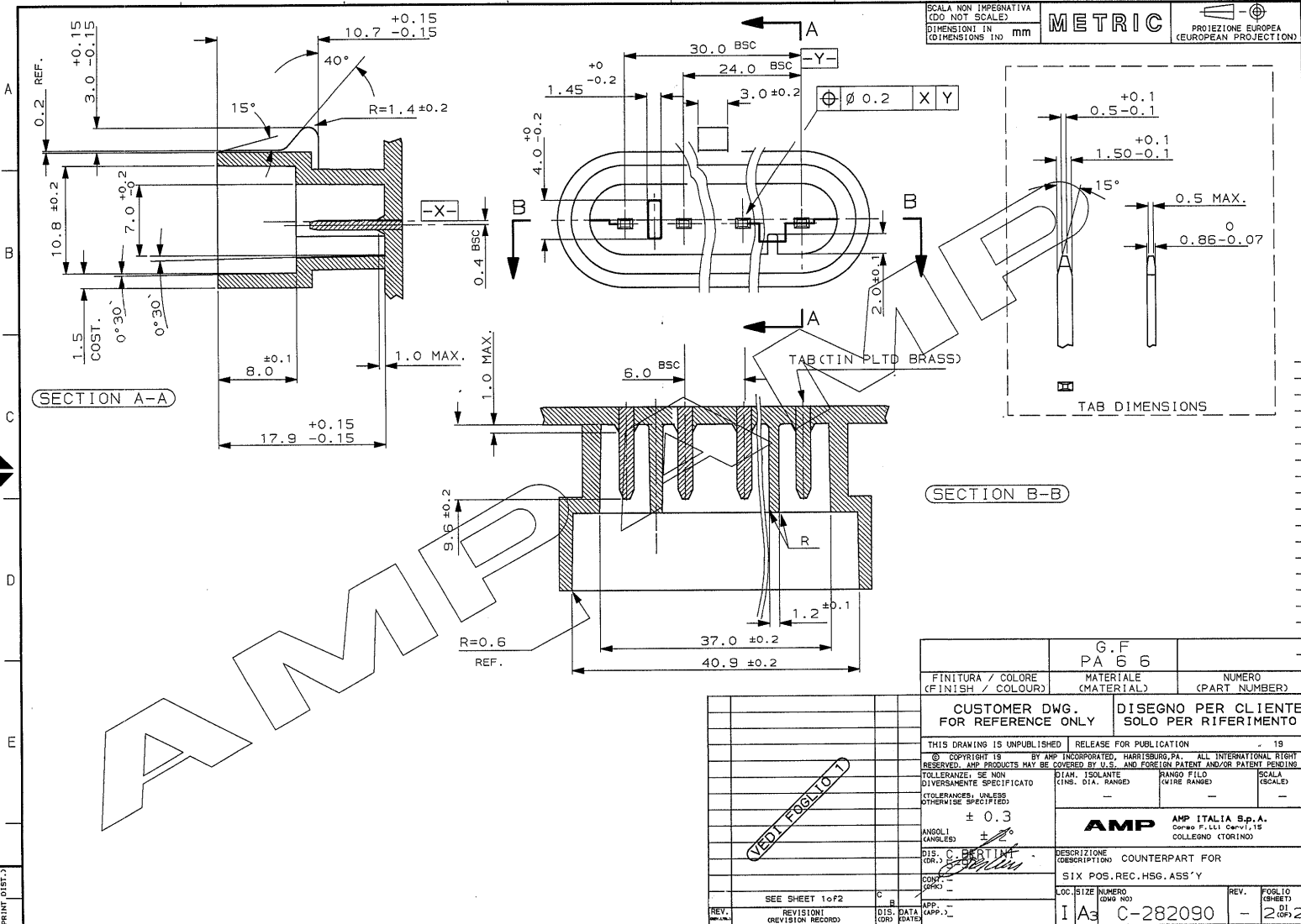
CUSTOMER DWG. FOR REFERENCE ONLY		DISEGNO PER CLIENTE SOLO PER RIFERIMENTO	
D Revised for ET00-0072-38 M.P. 74 C obsolete P/N -21ET00-0242-87 HP 43-91 A1 UP DATED (ET00-0342-98) C B 92 A SEE SHEET 2 of 2 C B 93 7 DRAFTING CHANGES C B 93 6 UP-DATED C B 93 5 UP-DATED C B 93 4 ADDED PN ..-2 C B 92 3 UP-DATED C B 92 2 UP-DATED C B 90			
1) PER RAPPRESENTAZIONE DIMA CONTROPARTE VEDERE FOGLIO 2 DI 2. (FOR COUNTERPART DETAIL SEE SEET 2 OF 2)		19 RELEASE FOR PUBLICATION	
DRAFTING CHANGES 7 DRAFTING CHANGES 6 UP-DATED 5 UP-DATED 4 ADDED PN ..-2 3 UP-DATED 2 UP-DATED		AMP ITALIA S.p.A. Corso P. U.S. Carpi, 15 COLLENO (TORINO)	
DESCRIZIONE (DESCRIPTION) AMP SUPERSEAL 1.5 SERIES CONNECTORS		LOC. SITE NUMERO (DRAWING NO.) REV. (REV.) FOGLIO (SHEET) 01	

INTELLIGIBILE IN TUTTI I PAESI

SCALA NON IMPEGNATIVA
(DO NOT SCALE)
DIMENSIONI IN mm
(DIMENSIONS IN mm)

METRIC

PROIEZIONE EUROPEA
(EUROPEAN PROJECTION)



AMP