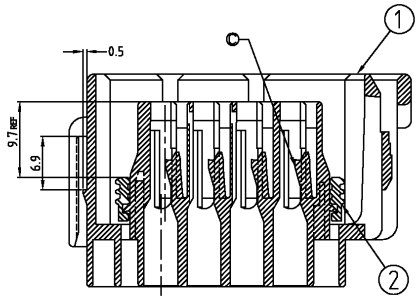
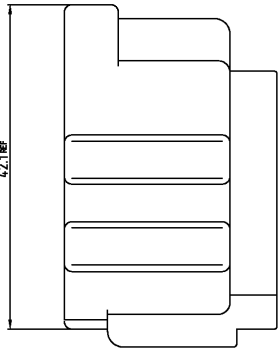
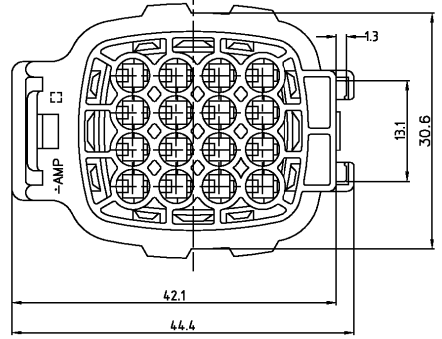
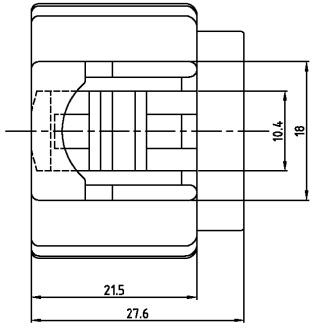
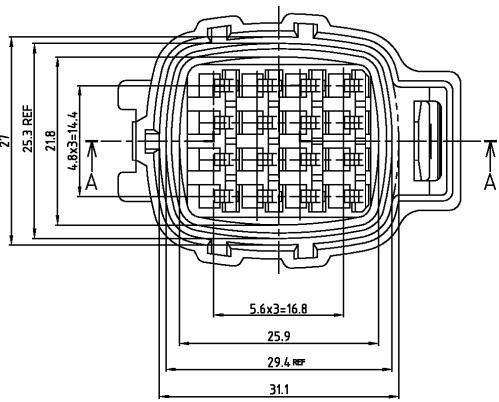


THIS DRAWING IS UNPUBLISHED. RELEASED FOR PUBLICATION .1997 .  
 © COPYRIGHT 1997 BY AMP INCORPORATED. ALL RIGHTS RESERVED.

LOC		DIST		REVISIONS				
P	LYR	DESCRIPTION	DATE	DWN	APVD			
A		REVISED ECN(FC00-0024-03)	11,FEB,03	JW	CS			
B		REVISED ECN(FC00-0027-03)	19,FEB,03	JW	CS			
C		REVISED ECN(FC00-0170-03)	12,DEC,03	YH	CS			



NOTE.  
 1. FOR CAP HOUSING P/N 368050  
 2. THIS PART IS COMPOSED OF PLUG HOUSING P/N 368048 AND SEAL RING P/N 368810-1/-4  
 3. THIS PART MUST BE USED WITH DOUBLE LOCK PLATE P/N 368049  
 4. APPLICABLE CLIP P/N 368121

ASS'Y P/N	QTY PER ASS'Y
1-368047-3	1
1-368047-1	1
368047-3	1
368047-1	1

NO	PART NO.	DESCRIPTION	MATERIAL	COLOR	REV.	QTY PER ASS'Y
2	368810-4	SEAL RING FOR EJ MKII(+)- PLUG ASS'Y	SILICONE	BROWN	E	1
	368810-1	SEAL RING FOR EJ MKII(+)- PLUG ASS'Y	NBR	BLACK	E	1
1	368048-3	EJ MKII(+)- 16Pos. PLUG HSG	PBT	GRAY	B	1
	368048-1	EJ MKII(+)- 16Pos. PLUG HSG	PBT	BLACK	B	1

<small>THIS DRAWING IS CONTROLLED DOCUMENT FOR AMP INCORPORATED. IT IS SUBJECT TO CHANGE AND THE CONTROLLING ENGINEERING DEPARTMENT SHALL BE CONTACTED FOR THE LATEST REVISION.</small>		DVN YH NA CHK BH JANG		<b>tyco</b> <i>Electronics</i>		AMP KOREA, kyungsan, korea.	
DIMENSIONS: MM 3rd ANGLE PROJECTION MATERIAL: SEE TABLE		TOLERANCES UNLESS OTHERWISE SPECIFIED: 0-XX<10 ± 0.2 10-XX<30 ± 0.25 30-XX ± 0.3 ANGLES ± 3°		NAME: ECONOSEAL J-MARKII(+)- CONNECTOR 16Pos. PLUG HOUSING ASS'Y		DRAWING NO: 368047	
		FINISH:		SIZE: A3 CAGE CODE: 00779		SCALE: 2:1 SHEET: 1 OF 1 REV: C	