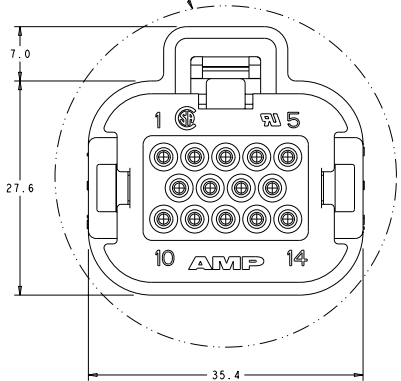
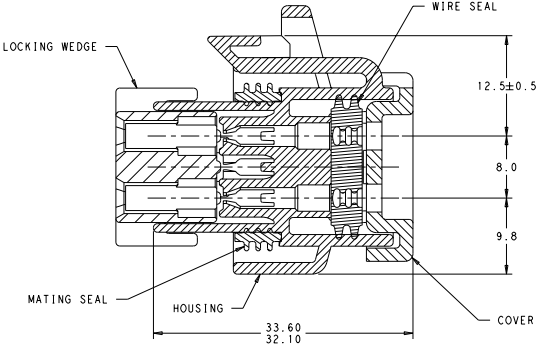
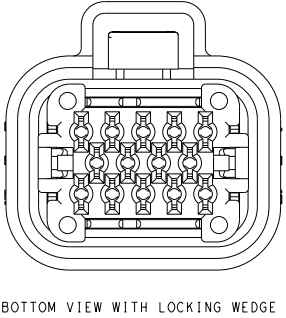


REV	DESCRIPTION	DATE	BY	CHK
E	REVISED PER ECO-09-023384	10/06/09	DCV	DCS
F	REVISED PER ECO-10-005844	10/06/10	DLD	DCS

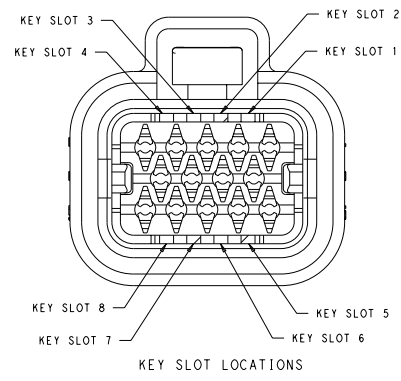
ASSEMBLY WILL PASS THRU Ø44 OPENING



△ HOUSING COLORS ARE MECHANICALLY KEYS TO MATE WITH IDENTICALLY COLORED HEADER ASSEMBLIES.



BOTTOM VIEW WITH LOCKING WEDGE



KEY SLOT LOCATIONS

3 & 5	776273-5
2 & 8	776273-4
1 & 6	776273-2
3 & 7	776273-1
KEY SLOT LOCATION (SEE VIEW ABOVE)	PART NUMBER

COVER	WIRE SEAL	MATING SEAL	LOCKING WEDGE	HOUSING	PART NUMBER
GLASS FILLED PBT, BLACK	SILICONE RUBBER, GREEN	SILICONE RUBBER, GREEN	PBT, RED	PBT, BLUE	776273-5
				PBT, GRAY	776273-4
				PBT, NATURAL	776273-2
				PBT, BLACK	776273-1

REVISIONS	DATE	BY	CHK
E	10/06/09	DCV	DCS
F	10/06/10	DLD	DCS

DATE	10/06/09	SCALE	AS SHOWN
BY	DCV	CHECKED	DCS
APP'D		DATE	10/06/09
TITLE	PLUG ASSEMBLY, 14 POSITION, AMPSEAL		
PART NUMBER	776273-5		
REV	A		
SEE TABLE	SEE TABLE	CUSTOMER DRAWING	SCALE 2:1