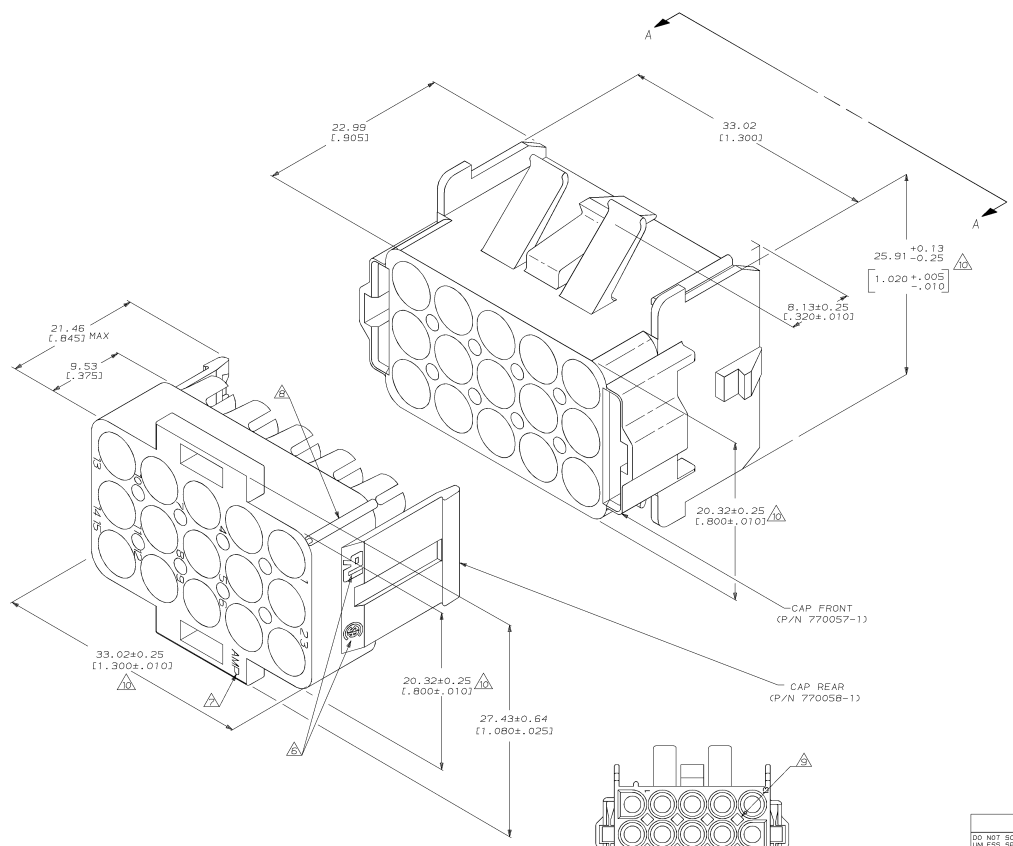
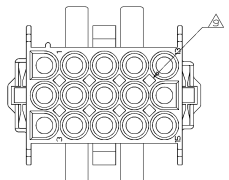
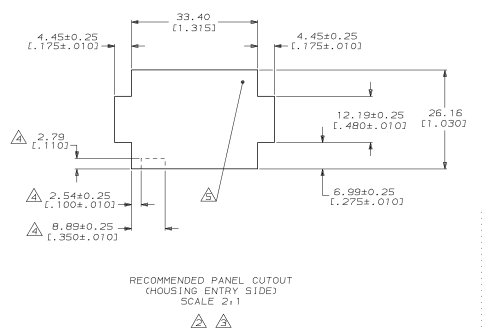


REVISIONS				DATE	APPD
CM	53	ZONE	LTB	REV PER EC 0730-0210-95	JHM



- BULK PACKAGED, UNASSEMBLED.
 - RECOMMENDED PANEL THICKNESS 0.76-2.29 (.030-.090).
 - PANEL MUST BE PUNCHED SO THAT THE HOUSING ENTERS THE PANEL IN THE SAME DIRECTION AS THE PUNCH.
 - OPTIONAL FOR KEYING HOUSING IN PANEL.
 - CIRCUIT NO. 1 LOCATOR.
 - APPROVAL AGENCY LOGO LOCATED APPROXIMATELY AS SHOWN.
 - AMP LOGO LOCATED THIS SURFACE.
 - CIRCUIT NUMBER ONE IDENTIFICATION RIB AND CIRCUIT IDENTIFICATION NUMBERS ARE EACH LOCATED ADJACENT TO THE APPROPRIATE CIRCUIT CAVITIES.
 - OPTIONAL CONSTRUCTION PROVIDES ROUND MATERIAL REDUCTION CORING HOLES.
 - DIMENSION INDICATED IS AS MOLDED. ADDITIONAL GROWTH DUE TO SUBSEQUENT MOISTURE ABSORPTION MAY OCCUR.
11. DIMENSIONS IN BRACKETS ARE IN INCHES.



METRIC

DO NOT SCALE PRINT. UNLESS SPECIFIED DIMENSIONS IN mm TOLERANCES: DR 1-22-32 C. SAKRON CHR 1-22-32 R. SAKON APPD 1-22-32 H. TROEL 3 PLE DEC # 6.13 (1.05) ANGLES # ---		PART NO	
MATERIAL: NYLON, UL94V-0, PRODUCT SPEC		AMP INCORPORATED <small>Hamlet, Pa. 17105</small>	
FINISH	APPLICATION SPEC	SIZE: D	FSGN NO: 00773
WEIGHT		SCALE: 5:1	DRAWING NO: 770030
			SHEET 1 OF 1

CUSTOMER DRAWING