

4

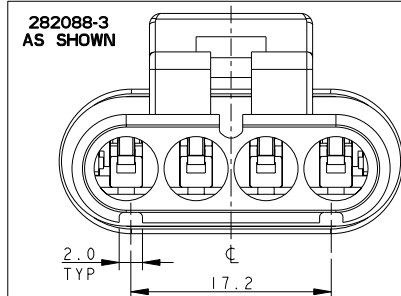
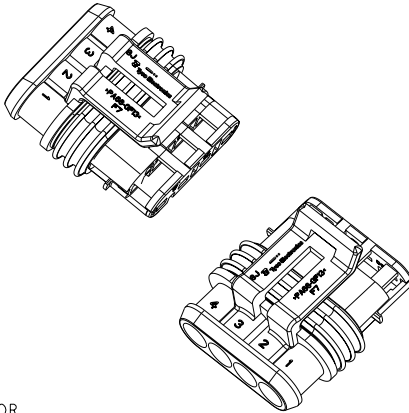
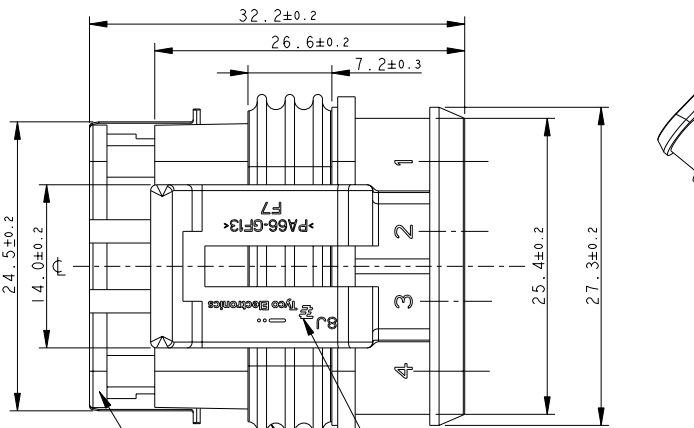
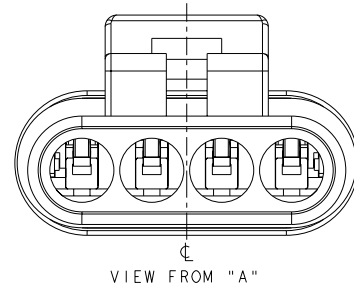
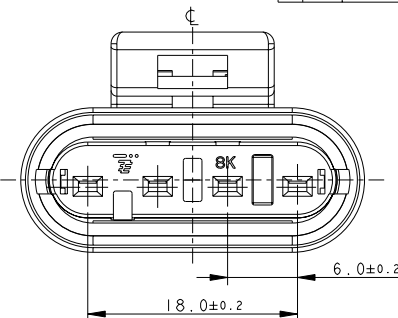
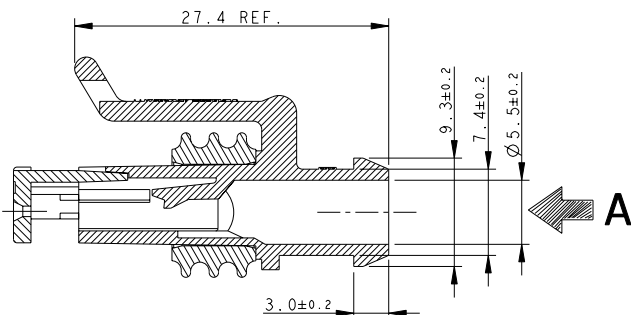
3

2

1

THIS DRAWING IS UNPUBLISHED. RELEASED FOR PUBLICATION 2007
COPYRIGHT 2007 BY TYCO ELECTRONICS CORPORATION. ALL INTERNATIONAL RIGHTS RESERVED.

LOC	DIST	REVISIONS					
1	-	P	LTR	DESCRIPTION	DATE	DWN	APVD
B3	ECR-11-004679				10MAR2011	M.P.	M.G.



BLACK (NERO)	PA66-GF	282088-3
GRAY (GRIGIO)	PA66-GF	282088-2
BLACK (NERO)	PA66-GF	282088-1
COLOUR (COLORE)	MATERIAL (MATERIALE)	PART NUMBER (CODICE)

TYCO ELECTRONICS LOGO OR, IN ALTERNATIVE, "AMP" LOGO

SILICONE RUBBER SEALING (GUARNIZIONE IN GOMMA SILICONICA)

PRE-ASSEMBLED SECONDARY LOCK (AGGANCIO SECONDARIO IN POSIZIONE PRE-ASSEMBLATA)

- NOTES: (NOTE)
- 1) FOR COUNTERPART DETAILS, SEE SHEET 2 OF 2 (PER I DETTAGLI DELLA CONTROPARTE VEDERE FOGLIO 2/2)
 - 2) -1 AND -2 ARE DIFFERENT ONLY FOR COLOUR (-1 E -2 SONO DIFFERENTI SOLO PER IL COLORE)

282088-1 AS SHOWN (COME MOSTRATO)

<small>THIS DRAWING IS A CONTROLLED DOCUMENT FOR TYCO ELECTRONICS CORPORATION IT IS SUBJECT TO CHANGE AND THE CONTROLLING ENGINEERING ORGANIZATION SHOULD BE CONTACTED FOR THE LATEST REVISION.</small>		DWN 05-1992 C. BERTINI CHK A A. BRUNI APVD - NAME PRODUCT SPEC 108-20090 APPLICATION SPEC 412-20000 WEIGHT - CUSTOMER DRAWING	Tyco Electronics AMP Italia S.r.l. Corso F.lli Cervi,15-10093 Collegno (TO)
DIMENSIONS: mm 	TOLERANCES UNLESS OTHERWISE SPECIFIED: 0 PLC ±0.3 1 PLC ±0.3 2 PLC ±0.3 3 PLC ± 4 PLC ± ANGLES ±2°	SIZE CAGE CODE DRAWING NO A3 00779 C-282088	RESTRICTED TO - SCALE 3:1 SHEET 1 OF 2 REV B3

4

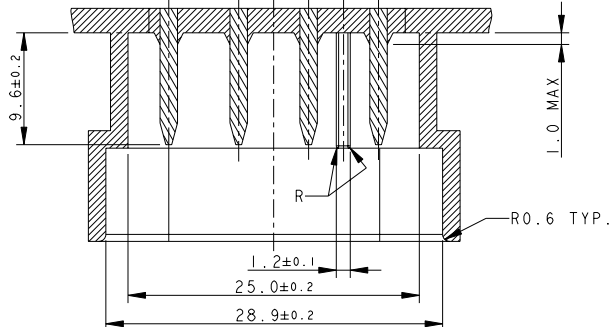
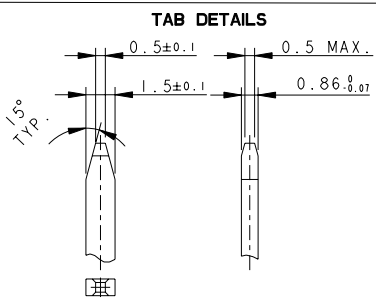
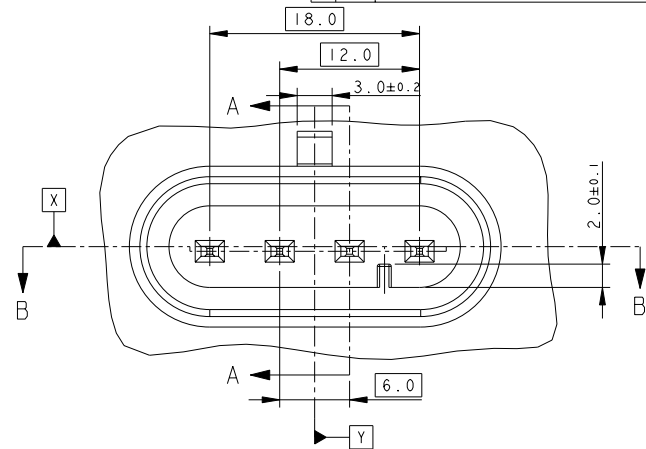
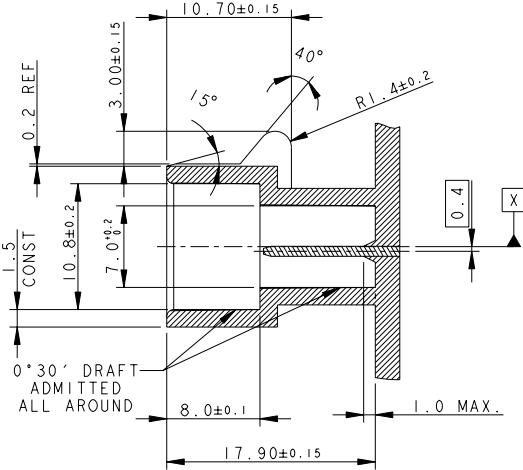
3

2

1

THIS DRAWING IS UNPUBLISHED. RELEASED FOR PUBLICATION 2007
 © COPYRIGHT 2007 BY TYCO ELECTRONICS CORPORATION. ALL INTERNATIONAL RIGHTS RESERVED.

LOC	DIST	REVISIONS		
P	LTR	DESCRIPTION	DATE	OWN
B3		SEE SHEET 1/2		



HOUSING: PA66-GF
 TABS: BRASS, TIN PLATED
 (BLOCCHETTO DEI CONTATTI: PA66-GF
 CONTATTI: OTTONE STAGNATO)

DIMENSIONS: mm		TOLERANCES UNLESS OTHERWISE SPECIFIED: 0 PLC ±0.3 1 PLC ±0.3 2 PLC ±0.3 3 PLC ± 4 PLC ± ANGLES ±°		DWN 05-1992 C. BERTINI CHN A BRUNI APVD - NAME PRODUCT SPEC 108-20090 APPLICATION SPEC 412-20000 WEIGHT - CUSTOMER DRAWING	Tyco Electronics Tyco Electronics AMP Italia S.r.l. Corso F.lli Cervi,15-10093 Collegno (TO) AMP SUPERSEAL 1.5 SRS. 4 POSITIONS RECEPTACLE CONNECTOR ASS'Y SIZE CAGE CODE DRAWING NO A3 00779 C-282088 RESTRICTED TO -
MATERIAL 		FINISH 		SCALE 2:1 SHEET 2 OF 2 REV B3	