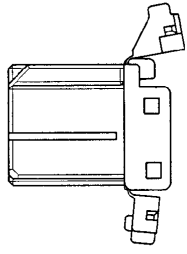
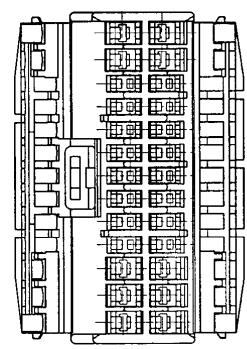
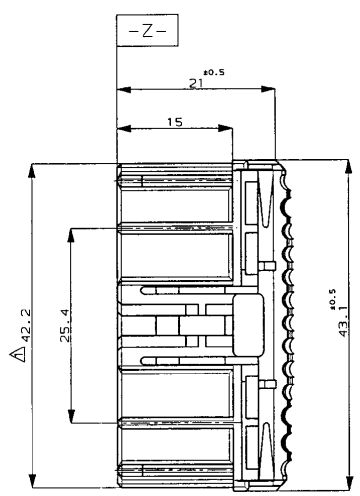
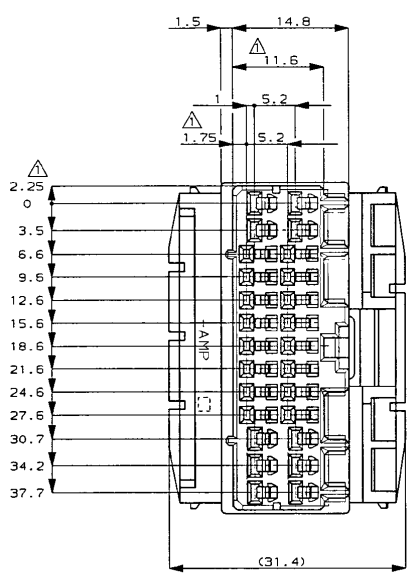


NUMBER C-175111
 METRIC
 3-2 ANGLE PROJECTION



NOTES;
 1. MUST BE KEPT BETWEEN \square -Z- AND 2mm.
 2. APPLIED CONTACT PART NUMBER; 173681, 173630, 173631
 3. APPLICABLE PRODUCT SPEC. 108-5280

注：
 1. \square -Z-面より2mmの範囲で測定
 2. 内装するリセパタクフルコンタクト型番：173681, 173630, 173631
 3. 適用製品規格番号 108-5280

橙色 (ORANGE)	175111-8
灰色 (GRAY)	175111-6
青色 (BLUE)	175111-5
色 (COLOR)	P/N

Copyright ©1989 AMP (Japan), LTD. ALL RIGHTS RESERVED.		Copyright ©1989 AMP (Japan), LTD. ALL RIGHTS RESERVED.		AMP AMP (JAPAN), LTD. Tokyo, Japan	
C	追加 -S FJ00-2749-95 KS SJ 6/17/89	WIRE RANGE	INSULATION DIA	NAME	26pos. PLUG HOUSING .040/.070 HYBRID I/O CONN. T.F
B	変更 J-0413 AT 10/14/89	MATERIAL	COLOR	GENERAL TOLERANCE	26pin プラグハウジング .040/.070 ハイブリッド I/O コネクタ T.F
A	変更 J-0015 YF KY 4/15/89	PBT	SEE TABLE	SIZE	A3 J
O	作 成 J-10927 KS KY 11/15/89	DR. R. Sano	DE. Y. Sano	NUMBER	C-175111
LTR	REVISION RECORD DR CHK DATE	CHK. M. Matsumoto	APPR. A. Tsuchida	SCALE	2-1
		10/31/89	11/17/89	REV. C	SHEET --

CUSTOMER DRAWING

DIMENSIONS IN MILLIMETERS. DO NOT SCALE PRINT

PRINT DIST
 AMP
 REV. 10/78