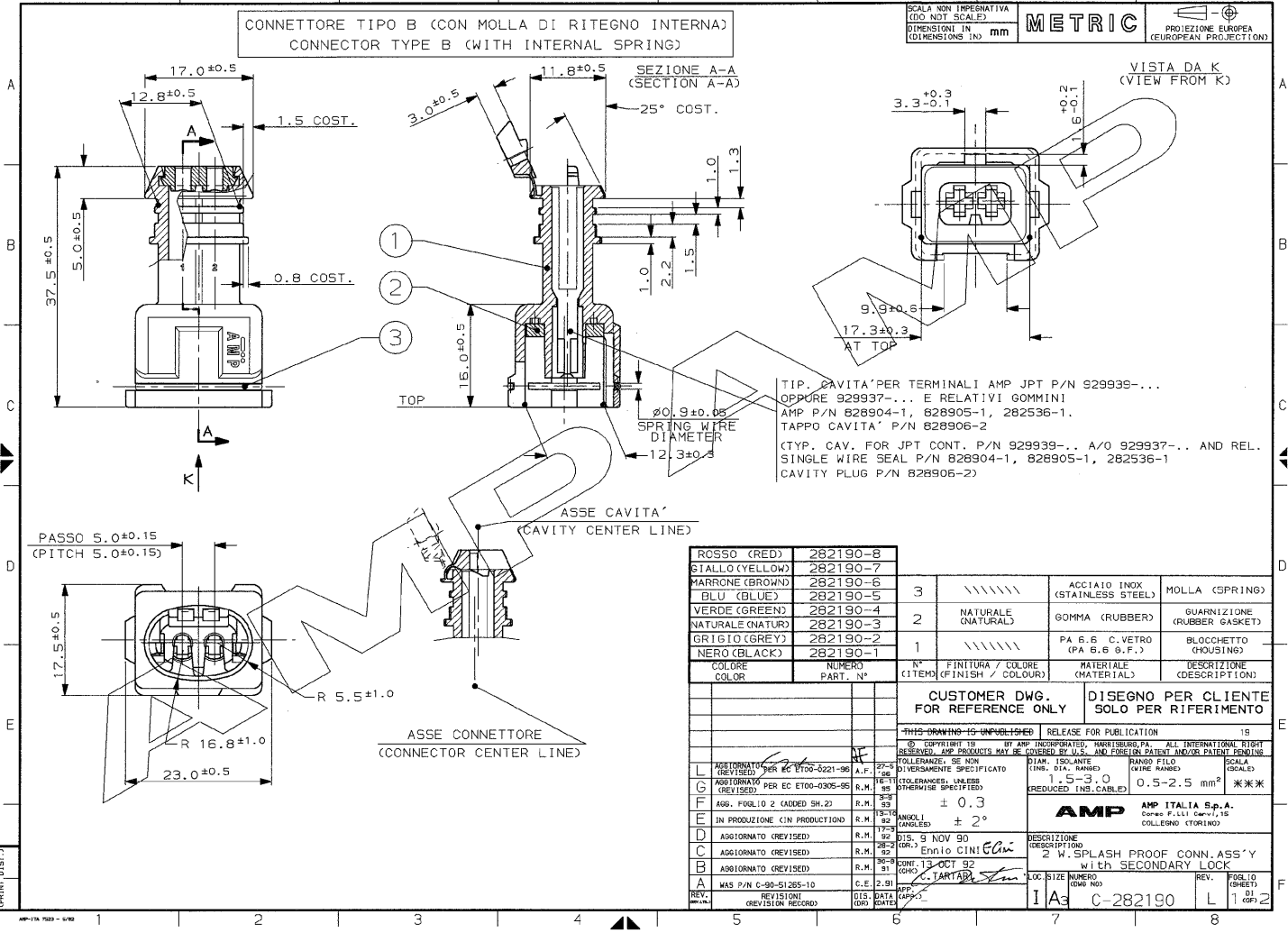


CONNETTORE TIPO B (CON MOLLA DI RITEGNO INTERNA)  
CONNECTOR TYPE B (WITH INTERNAL SPRING)

SCALA NON IMPEGNATIVA  
(DO NOT SCALE)  
DIMENSIONI IN mm  
METRIC  
PROIEZIONE EUROPEA  
(EUROPEAN PROJECTION)



TIP. CAVITA' PER TERMINALI AMP JPT P/N 929939-...  
OPPURE 929937-... E RELATIVI GOMMINI!  
AMP P/N 828904-1, 828905-1, 282536-1.  
TAPPO CAVITA' P/N 828906-2  
(TYP. CAV. FOR JPT CONT. P/N 929939-... AND REL.  
SINGLE WIRE SEAL P/N 828904-1, 828905-1, 282536-1  
CAVITY PLUG P/N 828906-2)

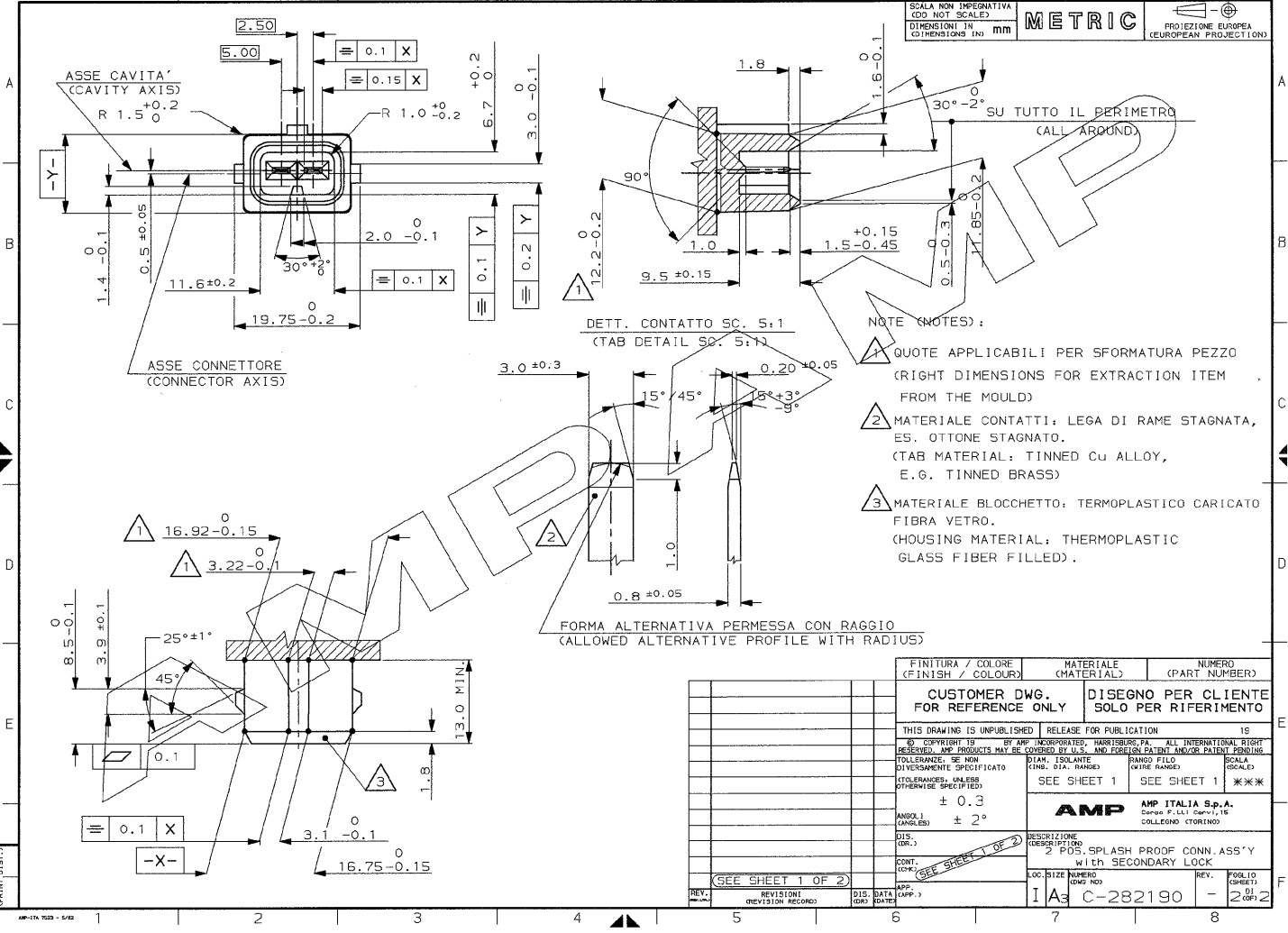
ROSSO (RED)	282190-8				
GIALLO (YELLOW)	282190-7				
MARRONE (BROWN)	282190-6	3	////	ACCIAIO INOX (STAINLESS STEEL)	MOLLA (SPRING)
BLU (BLUE)	282190-5				
VERDE (GREEN)	282190-4	2	NATURALE (NATURAL)	GOMMA (RUBBER)	GUARNIZIONE (RUBBER GASKET)
NATURALE (NATURAL)	282190-3				
GRIGIO (GREY)	282190-2	1	////	PA 6.6 C. VETRO (PA 6.6 G.F.)	BLOCCHETTO (HOUSING)
NERO (BLACK)	282190-1				
COLORE COLOR	NUMERO PART. N°	N° (ITEM)	FINITURA / COLORE (FINISH / COLOUR)	MATERIALE (MATERIAL)	DESCRIZIONE (DESCRIPTION)
			CUSTOMER DWG. FOR REFERENCE ONLY		DISSEGNO PER CLIENTE SOLO PER RIFERIMENTO
			-THIS DRAWING IS UNPUBLISHED		RELEASE FOR PUBLICATION
© COPYRIGHT 1978 BY AMP INCORPORATED, HARTISBURG, PA. ALL INTERNATIONAL RIGHTS RESERVED. AMP PRODUCTS MAY BE COVERED BY U.S. AND FOREIGN PATENT AND/or PATENT PENDING.					
L	AGGIORNATO (REVISED)	PER EC E100-5221-96	A.F.	27-5	TOLLERANZE, SE NON DIVERSAMENTE SPECIFICATO (TOLERANCES, UNLESS OTHERWISE SPECIFIED)
G	ASSISTENZA (REVISION)	PER EC E100-0305-95	K.H.	16-1	DIAM. ISOLANTE (INS. DIA. RANGE)
F	AGG. FOGLIO 2 (ADDED SH.2)		R.M.	93	1.5-3.0 (REDUCED INS. CABLE)
E	IN PRODUZIONE (IN PRODUCTION)		R.M.	92	0.5-2.5 mm <sup>2</sup> 毫米
D	AGGIORNATO (REVISED)		R.M.	92	AMP AMP ITALIA S.p.A. Corso F.lli Garibaldi, 15 COLLENO (TORINO)
C	AGGIORNATO (REVISED)		R.M.	88-2	DESCRIZIONE (DESCRIPTION)
B	AGGIORNATO (REVISED)		R.M.	88-3	2 W. SPLASH PROOF CONN. ASS'Y with SECONDARY LOCK
A	WAS P/N C-90-51285-10		C.E.	2-91	LOC. SIZE NUMERO (DWG. NO)
REV.	REVISIONI (REVISION RECORD)		DIS. DATA (DWG. DATE)		REV. FOGLIO (DWG. SHEET)
				I A3	L 1 of 2

DISTRIBUZIONE  
CANARY DIST.

SCALA NON INFERIATIVA  
(DO NOT SCALE)  
DIMENSIONI IN  
COORDINATE (IN) mm

**METRIC**

PROIEZIONE EUROPEA  
(EUROPEAN PROJECTION)



DETT. CONTATTO SC. 5:1  
(TAB DETAIL SC. 5:1)

- NOTE (NOTES):
- 1 QUOTE APPLICABILI PER SFORMATURA PEZZO (RIGHT DIMENSIONS FOR EXTRACTION ITEM FROM THE MOULD)
  - 2 MATERIALE CONTATTI; LEGA DI RAME STAGNATA, ES. OTTONE STAGNATO. (TAB MATERIAL: TINNED CU ALLOY, E.G. TINNED BRASS)
  - 3 MATERIALE BLOCCETTO; TERMOPLASTICO CARICATO FIBRA VETRO. (HOUSING MATERIAL: THERMOPLASTIC GLASS FIBER FILLED).

FORMA ALTERNATIVA PERMESSA CON RAGGIO  
(ALLOWED ALTERNATIVE PROFILE WITH RADIUS)

FINITURA / COLORE (FINISH / COLOUR)	MATERIALE (MATERIAL)	NUMERO (PART NUMBER)
CUSTOMER DWG. FOR REFERENCE ONLY	DISEGNO PER CLIENTE SOLO PER RIFERIMENTO	15
THIS DRAWING IS UNPUBLISHED		
RELEASE FOR PUBLICATION		
TO COPYRIGHT IS BY AMP INCORPORATED, HOUSTON, TX. ALL INTERNATIONAL RIGHTS RESERVED. AMP PRODUCTS MAY BE COVERED BY U.S. AND FOREIGN PATENT AND/OR PATENT PENDING.		
TOLLERANZE: SE NON SPECIFICAMENTE SPECIFICATE (TOLERANCES: UNLESS OTHERWISE SPECIFIED)	DIAN. ISOLANTE (INSUL. DIA. RANGE)	RANGO FILE (WIRE RANGE)
± 0.3	± 2°	SCALA (SCALE)
ANGOLI (ANGLES)	SEE SHEET 1 SEE SHEET 1 ***	
<b>AMP</b> AMP ITALIA S.p.A. Corso F.lli. Garibaldi, 15 COLLEGGIO (TORINO)		
DIS. (DR.)	DESCRIZIONE (DESCRIPTION)	
CONT. (COP.)	2 POS. SPLASH PROOF CONN. ASS'Y with SECONDARY LOCK	
REV. (REV.)	LOC. (LOC.)	REV. (REV.)
(SEE SHEET 1 OF 2)	SIZE (SIZE)	2 OF 2
REVISIONI (REVISION RECORD)	DIS. DATA (DR. DATE)	1 A3 C-282190

DISTRIBUTORE  
GRUPPO IRI/STET