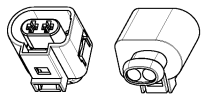
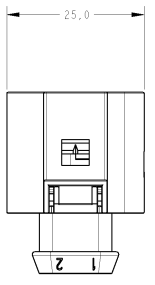
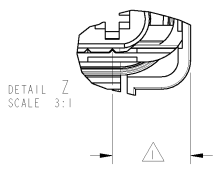
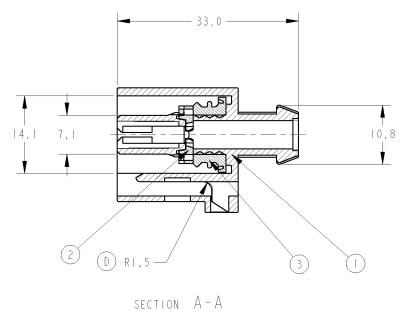
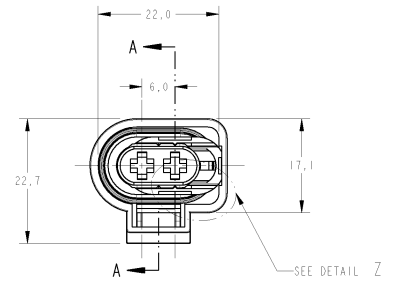


THIS DRAWING IS UNPUBLISHED. RELEASED FOR PUBLICATION BY TICO ELECTRONICS CORPORATION. ALL RIGHTS RESERVED.

REV. NO.	DATE	BY	DESCRIPTION
D	18/07/03	EJS	REVISED BY EC-211/03
E	12/09/04	NCL	REVISED BY EC-161/04
F	27/09/04	NCL	UP DATE EC-239/04

DO NOT REUSE EXCEPT BY CAD.



PERSPECTIVE VIEWS
SCALE 1:1

GRAVAÇÃO MARKING
LOGOTIPO AMP AMP LOGO
CODIGO PAIS PRODUTOR MANUFACTURER COUNTRY CODE
NOMENCLATURA MATERIAL MATERIAL NOMENCLATURE
NUMERO COMPONENTE AMP AMP COMPONENT NUMBER
NUMERO CAVIDADE CAVITY NUMBER
IDENTIFICACAO CIRCUITO CIRCUIT IDENTIFICATION

△ - O CONJUNTO DEVE SER FORNECIDO COM O SPACER NA CONDIÇÃO DE FRE TRAVA. △ - THE ASSEMBLY MUST BE SUPPLIED WITH SPACER IN PRE LOCKED CONDITION.

REQ. PER ASSY	ITEM	DESCRIPTION	MATERIAL	FINISH
3	SEAL 2 POSN. JUNIOR P. TIMER	SILICONE	LARANJA / ORANGE	
2	SPACER 2 POSN. JUNIOR P. TIMER	PBT +10% FV / GF	VIOLETA / VIOLET	
1	HOUSING 2 POSN. JUNIOR P. TIMER	PBT	PRETO / BLACK	

493989	ITEM	DESCRIPTION	MATERIAL	FINISH
3	SEAL 2 POSN. JUNIOR P. TIMER	SILICONE	LARANJA / ORANGE	
2	SPACER 2 POSN. JUNIOR P. TIMER	PBT +10% FV / GF	VIOLETA / VIOLET	
1	HOUSING 2 POSN. JUNIOR P. TIMER	PBT	PRETO / BLACK	

DESIGNER: P. L. FARIA	DATE: 27JAN00		TICO ELECTRONICS do Brasil LTDA. São Paulo - Brasil
CHK: L. OGAWA	DATE: 27JAN00		
APP: A. ALEXANDRO	DATE: 27JAN00	HOUSING ASSY., 2 POSN., JUNIOR POWER TIMER	
DIMENSIONS: mm	UNITS: mm	SIZE	CASE CODE
0 PLC ±0.3 1 PLC ±0.3 2 PLC ±0.3 3 PLC ±0.3 ANGLES ±0° 30'	TOLERANCES UNLESS OTHERWISE SPECIFIED: FRACTIONS DECIMALS	A2	100779
MATERIAL: SEE TABLE	FINISH: SEE TABLE	DRWING NO	C=493989
CUSTOMER DRAWING		SCALE	SHEET OF REV F