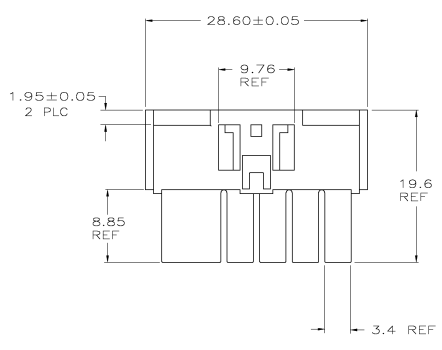
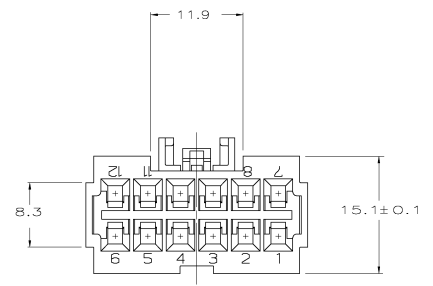
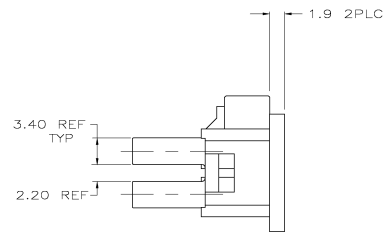
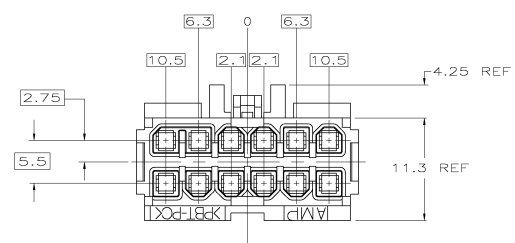


THIS DRAWING IS UNCLASSIFIED  
 UNLESS INDICATED OTHERWISE  
 ALL RIGHTS RESERVED

REV	DATE	DESCRIPTION	BY	CHK	APP
00					
E		REVISED REDRAWN, PER EC DS12-0202-04 17 AUG 04AWF/AMF			



- FOR USE WITH AMP-DUAC® SOCKET CONTACTS (EX: 794138-2, 794139-2, 794140-2, 794415-1, 794417-1, 794418-1). TERMINAL MUST BE INSERTED INTO RECEPTACLE HOUSING SO THAT THE TOP OF THE WIRE AND INSULATION CRIMPS FACE THE INTERIOR OF THE HOUSING.
- FOR SECONDARY LOCKING OF SOCKET CONTACTS, USE POSITION LOCK 794145-B (1 REQUIRED).
- RECEPTACLE HOUSING AND POSITION LOCK AVAILABLE AS BULK KIT, P/N 794322-1.
- MATES WITH AMP-DUAC/PL® 12 CIRCUIT HEADERS, RIGHT ANGLE (EX: 794176-2).
- REQUIRES LATCH ASSEMBLY 794150-1 (STANDARD) OR 794149-1 (EXTENDED).
- KEYING PLUG: 794144-1.



794156-1  
 PART NUMBER

THIS DRAWING IS A CONTROLLED DOCUMENT.		REV: 00	DATE: 17 AUG 04	BY: JAW	CHK: JAW	APP: JAW
DRAWN BY: JAW		DESIGNED BY: JAW		CHECKED BY: JAW		
DIMENSIONS: mm		UNITS: mm		SCALE: 1:1		
TOLERANCES: UNLESS OTHERWISE SPECIFIED		DIMENSIONS: 10B-1646		MATERIAL: 114-6067		
MATERIAL: 114-6067		WEIGHT: 114-6067		SEE: 114-6067		
PART: 794156-1		CUSTOMER DRAWING		REVISED TO: 114-6067		
DRAWING NO: 114-6067		PART NO: 794156		REVISED TO: 114-6067		

