

4

3

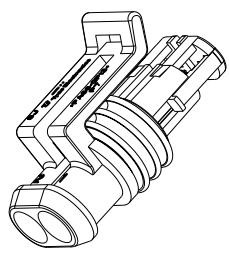
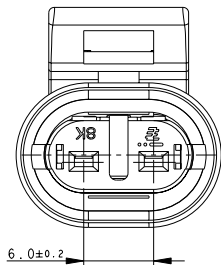
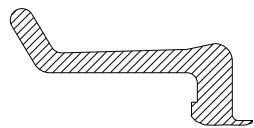
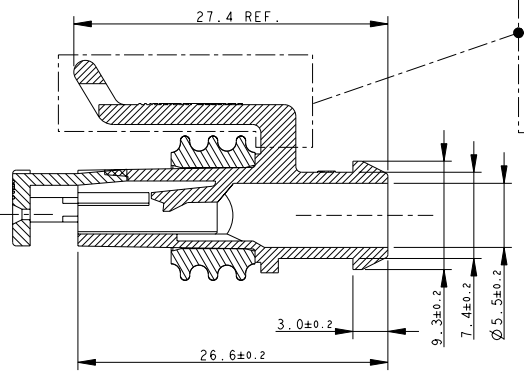
2

1

THIS DRAWING IS UNPUBLISHED. RELEASED FOR PUBLICATION 2009
 © COPYRIGHT 2009 BY TYCO ELECTRONICS CORPORATION. ALL RIGHTS RESERVED.

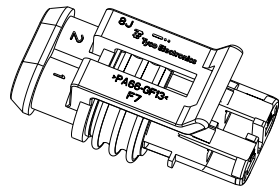
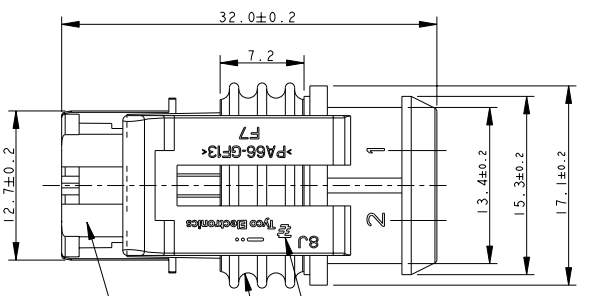
| REVOLUTIONS | | DATE | OWN | APVD |
|-------------|-----|-------------------------------------|-----------|-----------|
| P | LTR | DESCRIPTION | | |
| C1 | | REVISED BY ET00-0072-98 | 7-4-98 | M.P. R.M. |
| C2 | | REVISED BY ET00-0092-00 | 4-4-00 | M.G. R.M. |
| C3 | | REVISED PER ET00-0008-04 | 20-1-04 | P.Z. R.M. |
| C4 | | REVISED AND REDRAWN (ECR-09-015609) | 13-7-2009 | M.G. M.G. |

ALTERNATIVE DESIGN OF LOCKING LANCE



1) FOR COUNTERPART DETAILS, SEE SHEET 2 OF 2

| | | |
|--------------|----------|-------------|
| GREEN | PA66-GF | 282080-3 |
| GRAY | PA66-GF | 282080-2 |
| BLACK | PA66-GF | 282080-1 |
| FINISH/COLOR | MATERIAL | PART NUMBER |



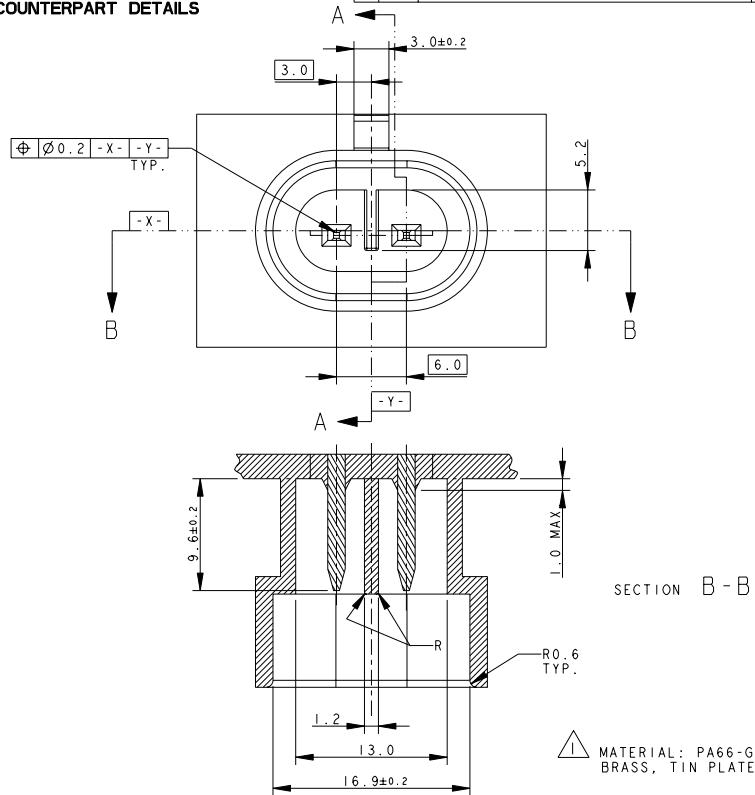
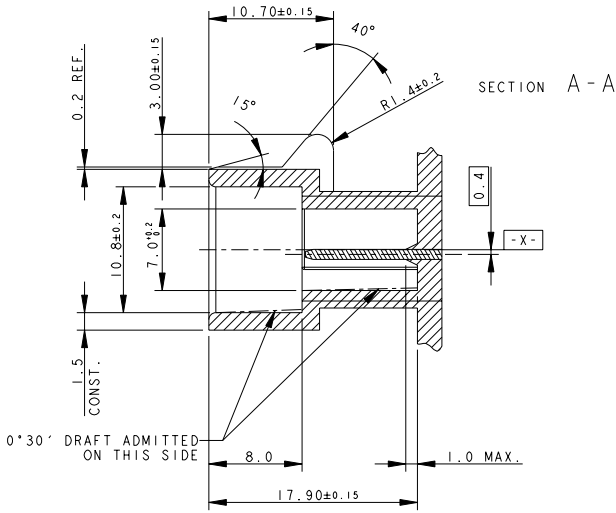
TYCO ELECTRONICS LOGO OR, IN ALTERNATIVE, "AMP" LOGO
 SEALING (SILICONE RUBBER)
 PRE-ASSEMBLED SECONDARY LOCK (RED COLOR)

| | | | |
|--|--|---|--|
| <small>THIS DRAWING IS A CONTROLLED DOCUMENT FOR TYCO ELECTRONICS CORPORATION. IT IS SUBJECT TO CHANGE AND THE CONTROLLING ENGINEERING ORGANIZATION SHOULD BE CONTACTED FOR THE LATEST REVISION.</small> | | OWN 05-1992 CHK C. BERTINI A. BRUNI APVD - PRODUCT SPEC - APPLICATION SPEC - WEIGHT - | Tyco Electronics AMP Italia S.r.l. Corso F.lli Cervi, 15 - Collegno (TO) |
| DIMENSIONS: mm | TOLERANCES UNLESS OTHERWISE SPECIFIED: 0 PLC ± 1 PLC ±0.3 2 PLC ± 3 PLC ± 4 PLC ± ANGLES ±2° | NAME AMP SUPERSEAL 1.5 SRS. 2 POSITIONS REC.CONN. ASS'Y | RESTRICTED TO - |
| MATERIAL - | FINISH - | SIZE CAGE CODE DRAWING NO A300779C-282080 | CUSTOMER DRAWING SCALE 3:1 SHEET 1 OF 2 REV C4 |

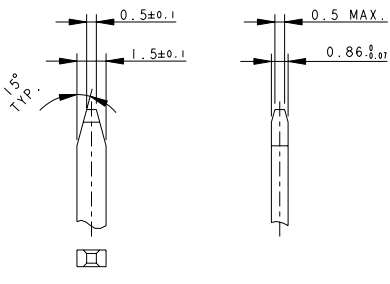
THIS DRAWING IS UNPUBLISHED. RELEASED FOR PUBLICATION 2009
 COPYRIGHT 2009 BY TYCO ELECTRONICS CORPORATION. ALL RIGHTS RESERVED.

| LOC | DIST | REVISIONS | | | | | |
|-----|------|-----------|-----|-------------|------|-----|------|
| | | P | LTR | DESCRIPTION | DATE | DWN | APVD |
| 1 | - | | | | | | |

COUNTERPART DETAILS



TAB DETAILS



| | | | |
|---|--|--|---|
| <small>THIS DRAWING IS A CONTROLLED DOCUMENT FOR TYCO ELECTRONICS CORPORATION IT IS SUBJECT TO CHANGE AND THE CONTROLLING ENGINEERING ORGANIZATION SHOULD BE CONTACTED FOR THE LATEST REVISION.</small> | | DWN 05-1992 C. BERTINI CHK A BRUNI APVD - NAME PRODUCT SPEC - APPLICATION SPEC - WEIGHT - | Tyco Electronics Tyco Electronics AMP Italia S.r.l. Corso F.lli Cervi, 15 - Collegno (TO) |
| DIMENSIONS: mm | TOLERANCES UNLESS OTHERWISE SPECIFIED: 0 PLC ±0.3 1 PLC ±0.1 2 PLC ±0.05 3 PLC ± 4 PLC ±- ANGLES ±1° | SIZE CAGE CODE DRAWING NO A300779C-282080 | RESTRICTED TO - |
| MATERIAL | FINISH | CUSTOMER DRAWING | SCALE 5:1 SHEET 2 OF 2 REV C4 |

AMP 1470-19 REV 31MAR2000