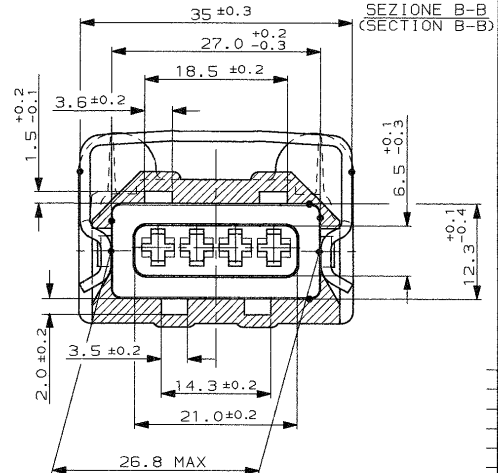
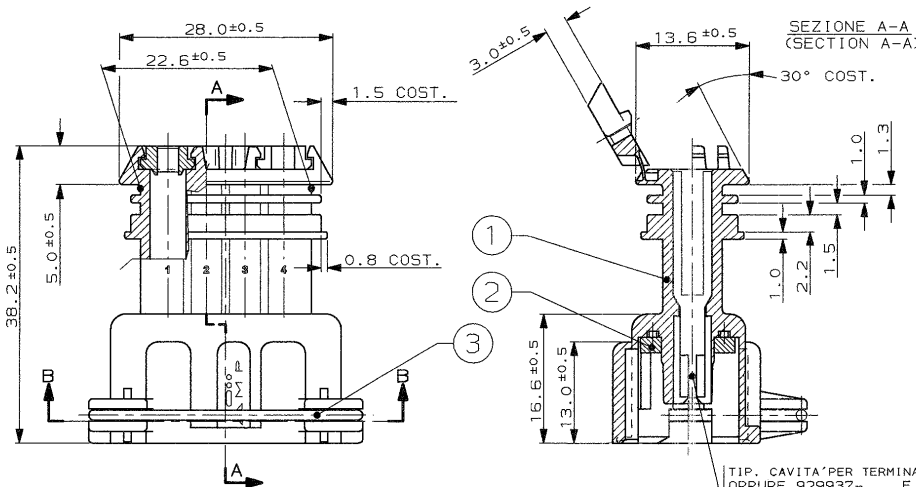


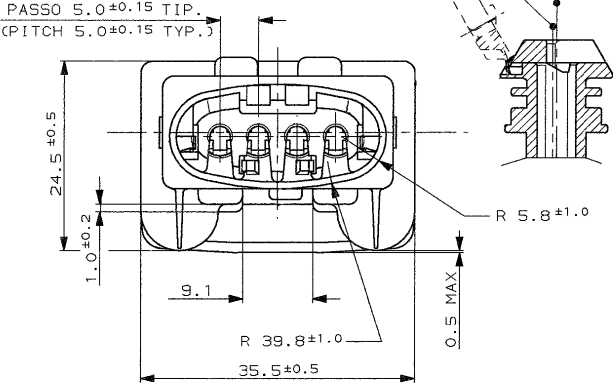
CONNETTORE TIPO A (CON MOLLA DI RITEGNO ESTERNA)  
CONNECTOR TYPE A (WITH EXTERNAL SPRING)

SCALA NON IMPEGNATIVA  
(DO NOT SCALE)  
DIMENSIONI IN mm METRIC  
PROIEZIONE EUROPEA  
(EUROPEAN PROJECTION)

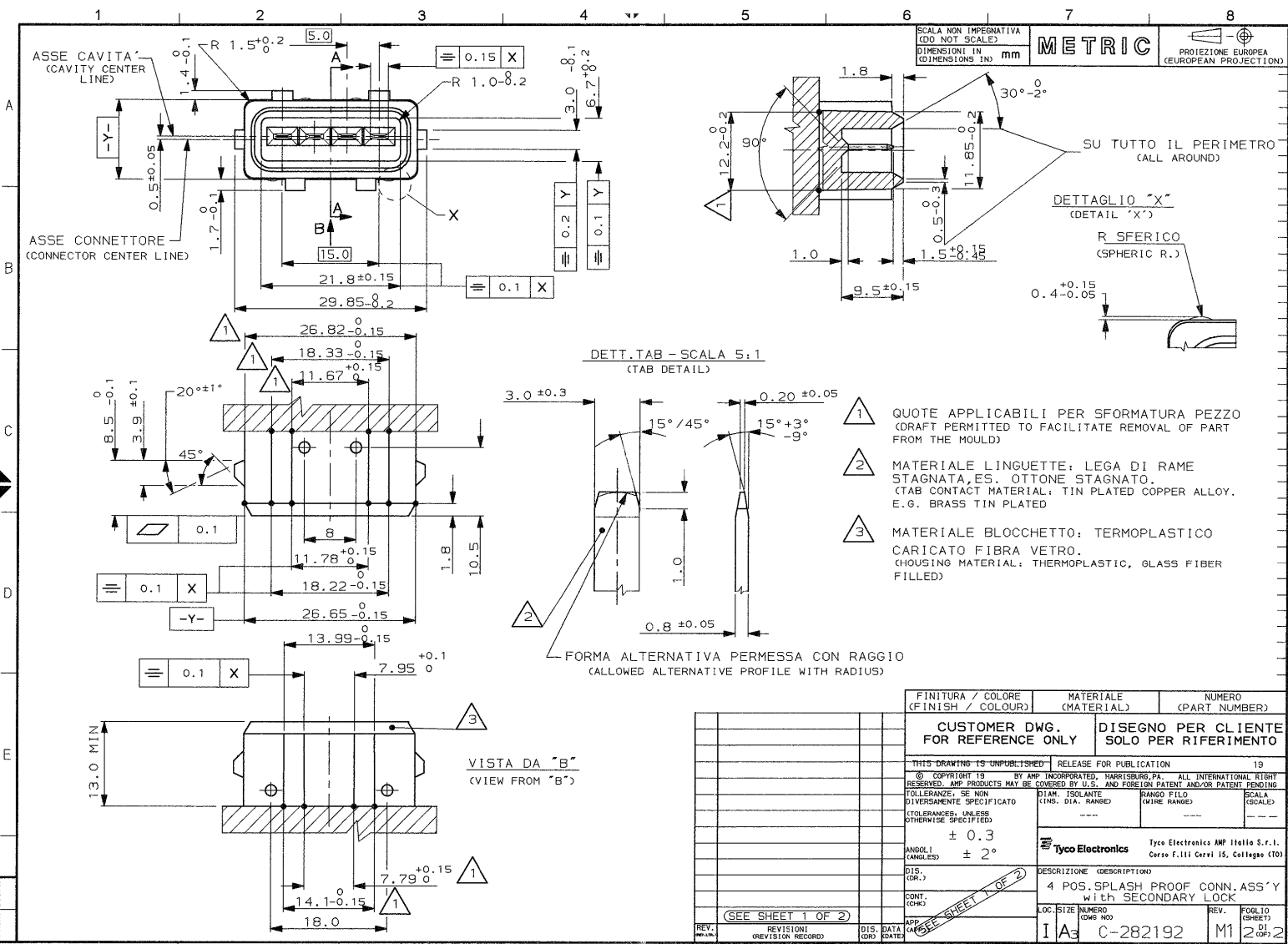


TIP. CAVITA' PER TERMINALI AMP JPT P/N 929939-...  
OPPURE 929937-... E RELATIVI GOMMINI!  
AMP P/N 828904-1, 828905-1, 282536-1.  
TAPPO CAVITA' P/N 828906-2  
(TYP. CAV. FOR JPT CONT. P/N 929939-... A/O 929937-... AND REL.  
SINGLE WIRE SEAL P/N 828904-1, 828905-1, 282536-1  
CAVITY PLUG P/N 828906-2)

ASSE CONNETTORE  
(CONNECTOR CENTER LINE)  
ASSE CAVITA'  
(CAVITY CENTER LINE)



ROSSO (RED)	---	---	---	---	---
GIALLO (YELLOW)	---	---	---	---	---
MARRONE (BROWN)	282192-3	F	3	//////	ACCIAIO INOX (STAINLESS STEEL)
BLU (BLUE)	---	---	---	---	MOLLA (SPRING)
VERDE (GREEN)	---	---	---	---	---
NATURALE (NATURAL)	282192-2	F	2	//////	GOMMA (RUBBER)
GRIGIO (GREY)	282192-1	F	1	//////	PA 6.6 C.VETRO (PA 6.6 G.F.)
NERO (BLACK)	282192-1	F	1	//////	BLOCCETTO (HOUSING)
COLORE COLOR	NUMERO PART N°	AGG. REV.	N° (ITEM)	FINITURA / COLORE (FINISH / COLOUR)	MATERIALE (MATERIAL)
M1	REVISO PER ECR-09-015789	M.G. 3.8 2009		CUSTOMER DWG. FOR REFERENCE ONLY	
M	REVISO PER ET00-0385-99	M.P. 2.4 01		DISEGNO PER CLIENTE SOLO PER RIFERIMENTO	
L	AGGIOR. CON ET00-0221-96	A.F. 27-5 96		THIS DRAWING IS UNPUBLISHED RELEASE FOR PUBLICATION 19	
H	AGGIOR. CON ET00-0108-95	M.P. 11-5 95		ALL RIGHTS RESERVED. AMP PRODUCTS MAY BE COVERED BY U.S. AND FOREIGN PATENT AND/OR PATENT PENDING	
G	AGG. FOGLIO 2 (ADDED SH.2)	R.M. 3-9 93		TOLLERANZE SE NON DIVERSAMENTE SPECIFICATE (TOLERANCES UNLESS OTHERWISE SPECIFIED)	
F	IN PRODUZIONE (IN PRODUCTION)	R.M. 13-10 90		DIAM. ISOLANTE (INS. DIA. RANGE) 1.5-3.0	
E	AGGIORNATO (REVISED)	R.M. 22-5 92		RANGO FILO (WIRE RANGE) 0.5-2.5 mm²	
D	AGGIORNATO (REVISED)	R.M. 17-3 92		SCALA (SCALE) ***	
C	AGGIORNATO (REVISED)	R.M. 28-3 92		Tyco Electronics Tyco Electronics AMP Italia S.r.l. Corso F.lli Cervi 15, Collegno (TO)	
B	AGGIORNATO (REVISED)	R.M. 8-9 91		DESCRIZIONE (DESCRIPTION) 4 W. SPLASH PROOF CONN. ASS'Y with SECONDARY LOCK	
A	WAS P/N C-90-51265-70	C.E. 2.91		LOC. SIZE NUMERO (LOW NO.)	
REV.	REVISIONI REVISION RECORD	DIS. DATA (DR DATE)	APP. (APP.)	REV. FOGG. 10 D1 002	



FINITURA / COLORE (FINISH / COLOUR)	MATERIALE (MATERIAL)	NUMERO (PART NUMBER)
CUSTOMER DWG. FOR REFERENCE ONLY	DISEGNO PER CLIENTE SOLO PER RIFERIMENTO	
THIS DRAWING IS UNPUBLISHED	RELEASE FOR PUBLICATION	19
© COPYRIGHT 19 BY AMP INCORPORATED, HARRISBURG, PA	ALL INTERNATIONAL RIGHT RESERVED. AMP PRODUCTS MAY BE COPIED BY U.S. AND FOREIGN PATENT AND/OR PATENT PENDING	
TOLLERANZE, SE NON DIVERSAMENTE SPECIFICATO (TOLERANCES, UNLESS OTHERWISE SPECIFIED)	DIAM. ISOLANTE (INS. DIA. RANGE)	RANGO FILO (WIRE RANGE)
± 0.3	---	---
ANGOLI (ANGLES)	± 2°	
DIS. (DR.)		
CONT. (CHK)		
APP. (APP)		
REV. (REV.)		
REVISIONI (REVISION RECORD)		
DIS. (DR.)		
DATA (DATE)		
APP. (APP)		
REV. (REV.)		
LOC. (LOC.)		
SIZE (SIZE)		
NUMERO (DRAWING NO)		
REV. (REV.)		
FOGLIO (SHEET)		
1		
A3		
C-282192		
M1		
2		
DI		
OP. 2		