

4

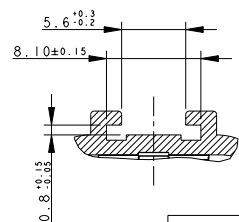
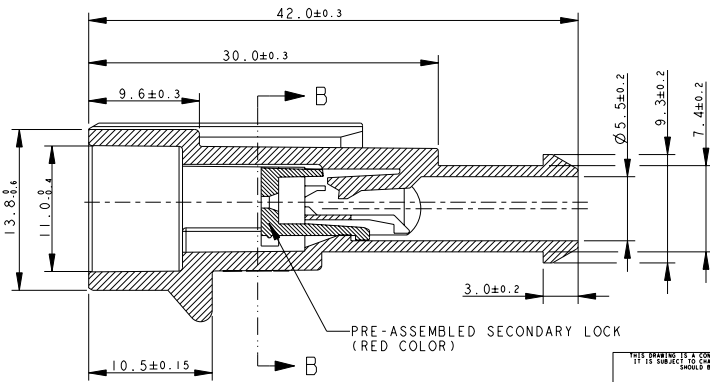
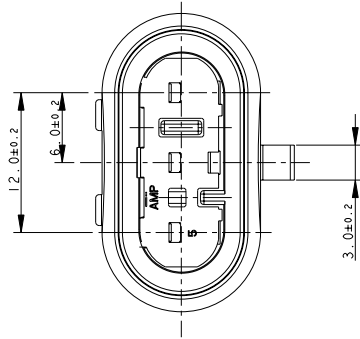
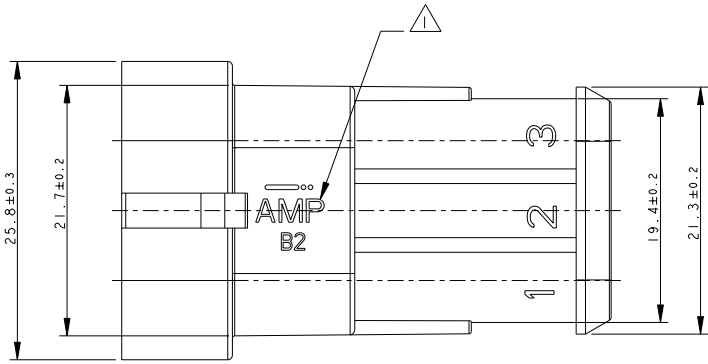
3

2

1

THIS DRAWING IS UNPUBLISHED. RELEASED FOR PUBLICATION 2009
 COPYRIGHT 2009 BY TYCO ELECTRONICS CORPORATION. ALL INTERNATIONAL RIGHTS RESERVED.

LOC	DIST	REVISIONS			
P	LTR	DESCRIPTION	DATE	DWN	APVD
B		REDRAWN (ECR-10-004138)	02MAR2010	M.G.	M.G.



PART SECTION B-B

FINISH/COLOR	MATERIAL	PART NUMBER
GRAY	PA66-GF	282105-2
BLACK	PA66-GF	282105-1

LOGO "AMP" O. IN ALTERNATIVA, LOGO TYCO ELECTRONICS ("AMP" TRADE MARK OR, IN ALTERNATIVE, TYCO ELECTRONICS TRADE MARK)

<small>THIS DRAWING IS A CONTROLLED DOCUMENT FOR TYCO ELECTRONICS CORPORATION. IT IS SUBJECT TO CHANGE AND THE CONTROLLING ENGINEERING ORGANIZATION SHOULD BE CONTACTED FOR THE LATEST REVISION.</small>		DWN 02-1990 C. BERTINI CHK 02-1990 A. BRUNI APVD - NAME - PRODUCT SPEC 108-20090 APPLICATION SPEC - WEIGHT - CUSTOMER DRAWING	Tyco Electronics Tyco Electronics AMP Italia S.r.l. Corso F.lli Cervi, 15 - Collegno (TO)
DIMENSIONS: mm 	TOLERANCES UNLESS OTHERWISE SPECIFIED: 0 PLC ±- 1 PLC ±0.3 2 PLC ±- 3 PLC ±- 4 PLC ±- ANGLES ±2° MATERIAL - FINISH -	NAME AMP SUPERSEAL 1.5 SRS. 3 POSITIONS TAB ASS'Y SIZE CAGE CODE DRAWING NO RESTRICTED TO A300779 C-282105 -	SCALE 3:1 SHEET 1 OF 1 REV B