

4

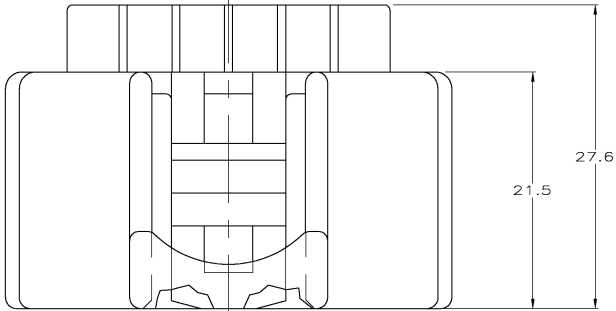
3

2

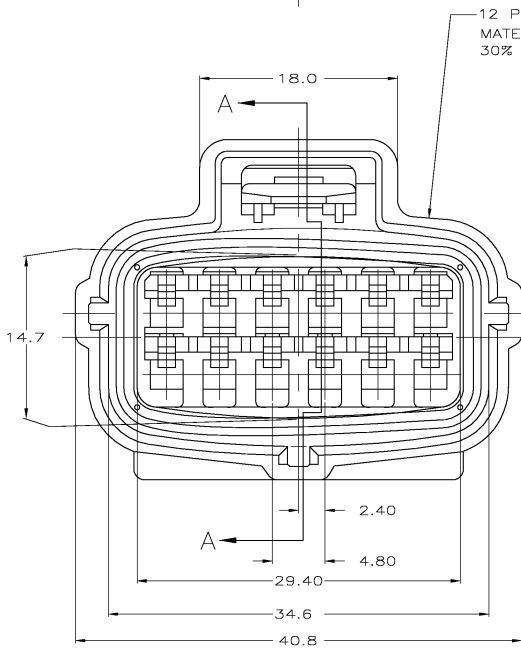
1

THIS DRAWING IS UNPUBLISHED. RELEASED FOR PUBLICATION  
 © COPYRIGHT BY TYCO ELECTRONICS CORPORATION. ALL RIGHTS RESERVED.

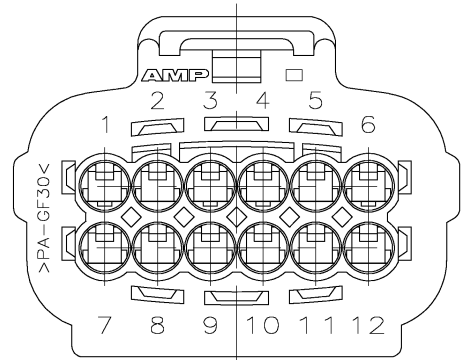
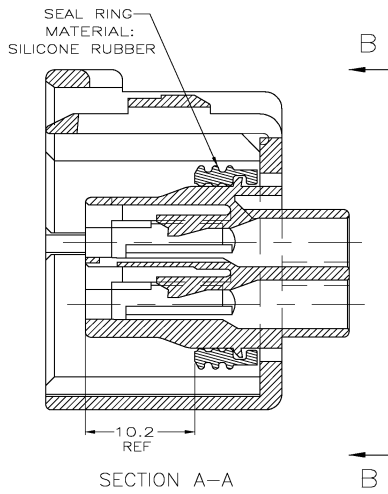
LOC		DIST		REVISIONS			
P	LTR	DESCRIPTION	DATE	OWN	APPD		
GE	00	G	REV PER EC DK40-044B-03	25JUN03	AH	KLC	



SECONDARY LOCK PLATE, P/N 184058-1, REQUIRED AS A SEPARATE COMPONENT.



12 POSITION PLUG  
 MATERIAL: 4/6 NYLON  
 30% GLASS FILLED



VIEW B-B

THIS DRAWING IS A CONTROLLED DOCUMENT.		DRW	KD	LYTLE	5/15/99	BLACK		184115-1	
		CHK	KL	LYTLE	5/30/99	PLUG COLOR		PART NUMBER	
		APP	CL	HYERD	5/30/99	Tyco Electronics		Tyco Electronics Corporation	
		FIN	CT	LYTLE	5/30/99	Horrisburg, PA 17105-3608			
						12 POSITION PLUG ASSY.			
						RESTRICTED TO			
						A2 00779 © 184115			
						SCALE 4:1 SHEET 1 OF 1 REV G			

AMP 1431-9 REV 31 MAR 2000

H:\DMTEG\_files

184115

A