

4

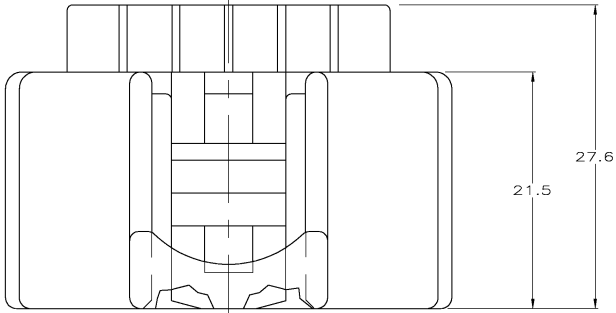
3

2

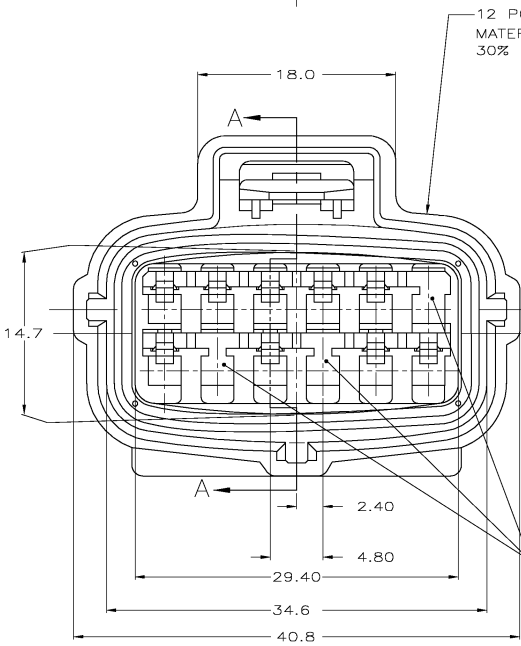
1

THIS DRAWING IS UNPUBLISHED. RELEASED FOR PUBLICATION. BY TYCO ELECTRONICS CORPORATION. ALL RIGHTS RESERVED.

LOC		DIST		REVISIONS			
P	LTR	DESCRIPTION	DATE	OWN	APPD	DATE	BY
GE	00						
	B1	ECR-05-002467		DBLUNDS	AH		KC

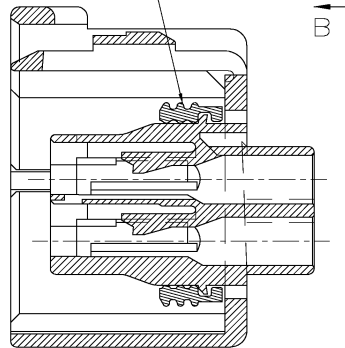


SECONDARY LOCK PLATE, P/N 184058-1, REQUIRED AS A SEPARATE COMPONENT.

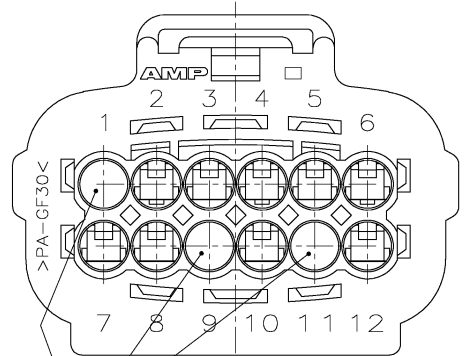


12 POSITION PLUG
MATERIAL: 4/6 NYLON
30% GLASS FILLED

SEAL RING
MATERIAL:
SILICONE RUBBER



THESE CIRCUITS
BLOCKED
(#1, #9, & #11)



THESE CIRCUITS
BLOCKED

BLACK PLUG COLOR	184455-1
PART NUMBER	
Tyco Electronics Tyco Electronics Corporation Horriaburg, Pa 17105-3608	
ASSEMBLY, SSC, 2X6, CLASS 3 CIRCUITS 1, 9 & 11 BLOCKED	
SEE DATE CODE	DRAWING NO
A2 00779	184455
CUSTOMER DRAWING	SCALE 4:1 SHEET 1 OF 1 REV B1

THIS DRAWING IS A CONTROLLED DOCUMENT.		DATE	21 JUNE 2004
DRAWN BY		JR BUSSARD	
CHECKED BY		KL KREIDLER	
APPROVED BY		KL KREIDLER	
PRODUCT SPEC			
APPLICATION SPEC			
MATERIAL			
FINISH			
WEIGHT			