

4

3

2

1

THIS DRAWING IS UNPUBLISHED.

RELEASED FOR PUBLICATION

© COPYRIGHT

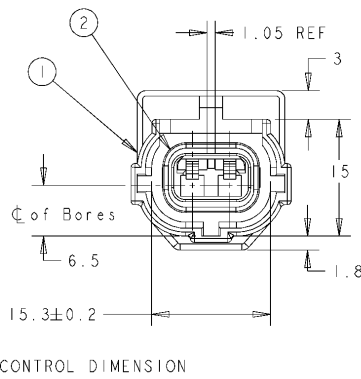
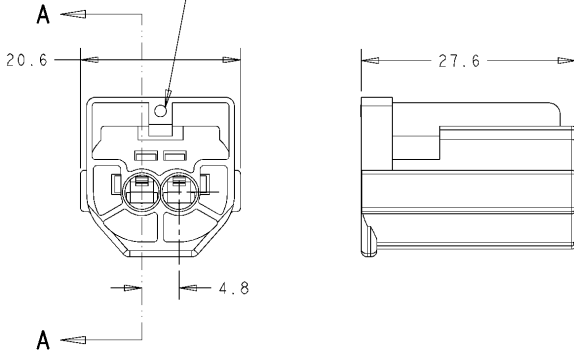
ALL RIGHTS RESERVED.

LOC E DIST B

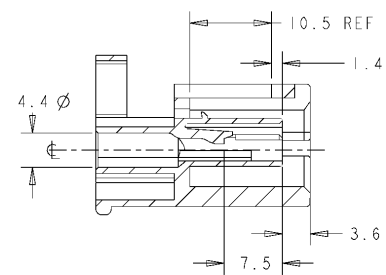
REVISIONS

F	LTR	DESCRIPTION	DATE	DWN	APVD
L2		REVISED PER ECO-11-005150	28MAR11	RK	HMR

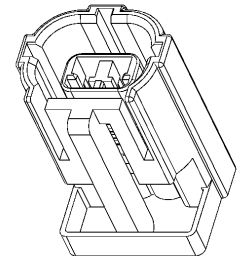
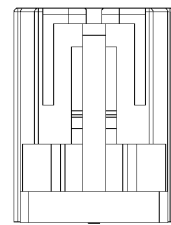
Ø1.5 x 0.1 HIGH PROTRUSION (SIGNIFIES NEW LATCH DETAIL)



SECTION A-A
SEAL REMOVED FOR CLARITY



CONTROL DIMENSION



SCALE 2:1

2	GREY	NITRILE	173072-1	PERIPHERAL SEAL	1	-344276-4
1	WHITE	NYLON 66	344275-4	2 WAY REC HSG	1	(WHITE)
2	GREY	NITRILE	173072-1	PERIPHERAL SEAL	1	-344276-3
1	BLUE	NYLON 66	344275-3	2 WAY REC HSG	1	(BLUE)
2	GREY	NITRILE	173072-1	PERIPHERAL SEAL	1	-344276-2
1	RED	NYLON 66	344275-2	2 WAY REC HSG	1	(RED)
2	GREY	NITRILE	173072-1	PERIPHERAL SEAL	1	-344276-1
1	BLACK	NYLON 66	344275-1	2 WAY REC HSG	1	(BLACK)
2	ORANGE	SILICONE	347702-1	PERIPHERAL SEAL	1	344276-4
1	WHITE	NYLON 66	344275-4	2 WAY REC HSG	1	(WHITE)
2	ORANGE	SILICONE	347702-1	PERIPHERAL SEAL	1	344276-3
1	BLUE	NYLON 66	344275-3	2 WAY REC HSG	1	(BLUE)
2	ORANGE	SILICONE	347702-1	PERIPHERAL SEAL	1	344276-2
1	RED	NYLON 66	344275-2	2 WAY REC HSG	1	(RED)
2	ORANGE	SILICONE	347702-1	PERIPHERAL SEAL	1	344276-1
1	BLACK	NYLON 66	344275-1	2 WAY REC HSG	1	(BLACK)
ITEM	COLOUR	MATERIAL	PART NO	DESCRIPTION	Qty	ASSY PT NO

DIMENSIONS:	TOLERANCES UNLESS OTHERWISE SPECIFIED:
mm	0 PLC ±.5
	1 PLC ±0.5
	2 PLC ±0.5
	3 PLC ±0.5
	4 PLC ±.5
	ANGLES ±.2
MATERIAL	FINISH
SEE TABLE	-

DWN	28JUL2003
CHK	M. GREENER
	28JUL2003
APVD	M. HARRIS
	28JUL2003
	B. BAKER
	28JUL2003
	PRODUCT SPEC
	APPLICATION SPEC
	WEIGHT
	CUSTOMER DRAWING

STE TE Connectivity	
NAME 2 WAY RECEPTACLE HOUSING	
ECONOSEAL 3 LOW CURRENT	
SIZE	CAGE CODE
A3	00779
DRAWING NO	RESTRICTED TO
344276	-
SCALE	SHEET
2:1	1 OF 1
REV	L2

AMP 1470-19 REV 31MAR2000