

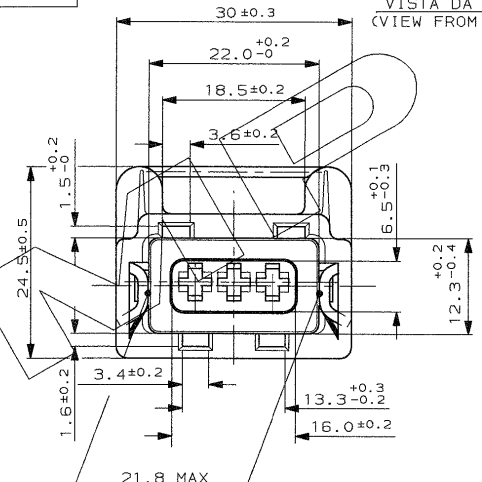
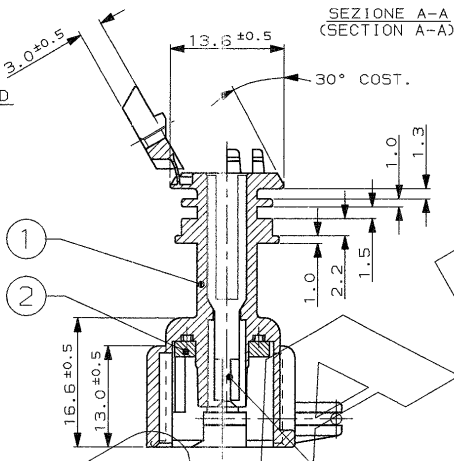
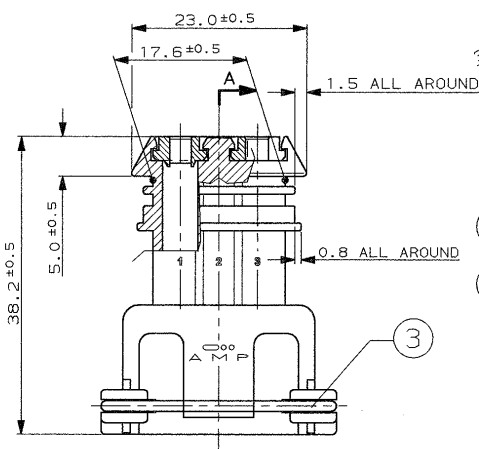
CONNETTORE TIPO A (CON MOLLA DI RITEGNO ESTERNA)  
CONNECTOR TYPE A (WITH EXTERNAL SPRING)

SCALA NON IMPEGNATIVA  
(DO NOT SCALE)  
DIMENSIONI IN  
(DIMENSIONS IN) mm

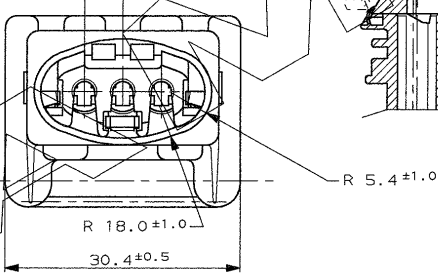
**METRIC**

PROIEZIONE EUROPEA  
(EUROPEAN PROJECTION)

VISTA DA -K-  
(VIEW FROM -K-)



PASSO 5.0±0.15 TIP.  
(PITCH 5.0±0.15 TYP.)



ASSE CONNETTORE  
(CONNECTOR CENTER LINE)  
ASSE CAVITA'  
(CAVITY CENTER LINE)

TIP. CAVITA' PER TERMINALI AMP JPT P/N 929939-...  
OPPURE 929937-... E RELATIVI GOMMINI  
AMP P/N 828904-1, 828905-1, 282536-1.  
TAPPO CAVITA' P/N 828906-2  
(TYP. CAV. FOR JPT CONT. P/N 929939-... A/O 929937-... AND REL.  
SINGLE WIRE SEAL P/N 828904-1, 828905-1, 282536-1  
CAVITY PLUG P/N 828906-2)

|                   |                      |                |
|-------------------|----------------------|----------------|
| NERO (BLACK)      | 282545-1             | F              |
| COLORE<br>(COLOR) | NUMERO<br>(PART. N°) | ASSY<br>(REV.) |

|   |                       |  |                                |
|---|-----------------------|--|--------------------------------|
| 3 | //////                | ACCIAIO INOX<br>(STAINLESS STEEL)      | MOLLA (SPRING)                 |
| 2 | NATURALE<br>(NATURAL) | GOMMA (RUBBER)                         | GUARNIZIONE<br>(RUBBER GASKET) |
| 1 | //////                | PA 6.6 C. VETRO<br>(PA 6.6 G.F.)       | BLOCCETTO<br>(HOUSING)         |
|   | N°                    | FINITURA / COLORE<br>(FINISH / COLOUR) | MATERIALE<br>(MATERIAL)        |
|   |                       |  | DESCRIZIONE<br>(DESCRIPTION)   |

CUSTOMER DWG. FOR REFERENCE ONLY    DISEGNO PER CLIENTE SOLO PER RIFERIMENTO

THIS DRAWING IS UNPUBLISHED    RELEASE FOR PUBLICATION    19

© COPYRIGHT 19... BY AMP INCORPORATED, HARRISBURG, PA. ALL INTERNATIONAL RIGHT RESERVED. AMP PRODUCTS MAY BE COVERED BY U.S. AND FOREIGN PATENT AND/OR PATENT PENDING. TOLLERANZE, SE NON DIVERSAMENTE SPECIFICATE (TOLERANCES, UNLESS OTHERWISE SPECIFIED)

|                      |                            |                         |
|----------------------|----------------------------|-------------------------|
| ± 0.3                | ANGOLI (ANGLES)            | ± 2°                    |
| 1.5-3.0              | DIAM. ISOLANTE (INS. DIA.) | RANGO FILO (WIRE RANGE) |
| (REDUCED INS. CABLE) | 0.5-2.5 mm²                | SCALA (SCALE)           |

**AMP** AMP ITALIA S.p.A.  
Corso F.lli Cervi, 15  
COLLENO (TORINO)

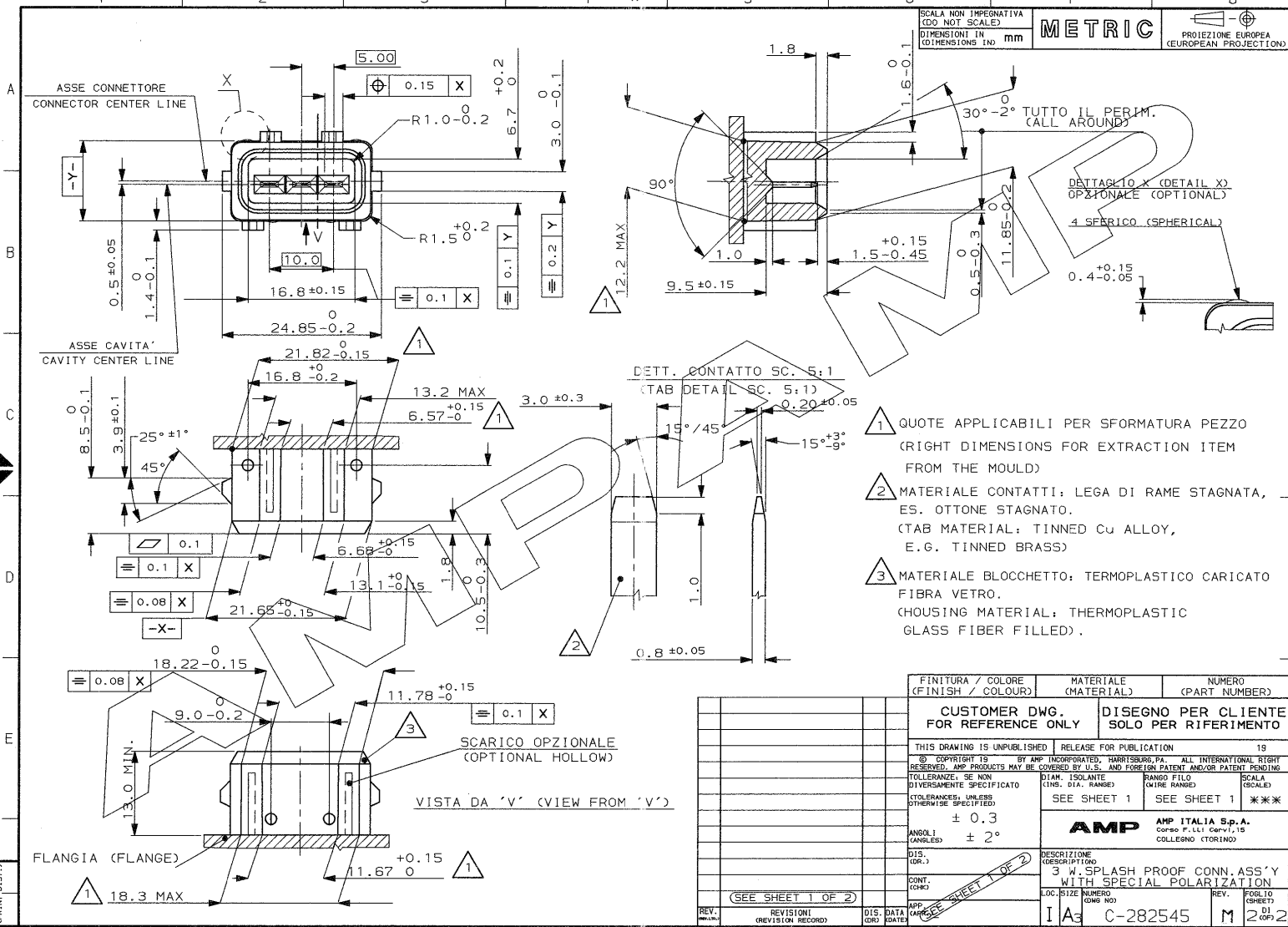
DESCRIZIONE (DESCRIPTION)  
3 W. SPLASH PROOF CONN. ASS'Y  
with SPECIAL POLARIZATION

LOC. SIZE NUMERO (LOW NO)

|      |                             |           |            |                 |             |
|------|-----------------------------|-----------|------------|-----------------|-------------|
| M    | REVISED                     | M.P.      | 5100-72-9  | ANGOLI (ANGLES) | ± 2°        |
| L    | REVISED                     | A.F.      | ET00-07-5  |                 |             |
| A    | IN PRODUCTION               | R.M.      | ET00-11-2  |                 |             |
| 1    | P/N WAS 93-51118-1          | R.M.      | 0011-84 84 |                 |             |
| O    | FIRST ISSUE                 | R.M.      |            |                 |             |
| REV. | REVISIONI (REVISION RECORD) | DIS. (DR) | E.C.N.     | DATA (DATE)     | APP. (APP.) |

I A3 C-282545 M 1 of 2

PRINTED IN ITALY



| FINITURA / COLORE<br>(FINISH / COLOUR)  |   | MATERIALE<br>(MATERIAL)                     |                 | NUMERO<br>(PART NUMBER) |                |
|---|---|---|-----------------|-------------------------|----------------|
| CUSTOMER DWG.<br>FOR REFERENCE ONLY   |   | DISEGNO PER CLIENTE<br>SOLO PER RIFERIMENTO |                 |                         |                |
| THIS DRAWING IS UNPUBLISHED   |   | RELEASE FOR PUBLICATION                     |                 | 19                      |                |
| © COPYRIGHT 1980 BY AMP INCORPORATED, HARRISBURG, PA. ALL INTERNATIONAL RIGHTS RESERVED. AMP PRODUCTS MAY BE COVERED BY U.S. AND FOREIGN PATENT AND/OR PENDING PATENTS. |   |   |                 |                         |                |
| TOLLERANZE: SE NON DIVERSAMENTE SPECIFICATO   | DIAM. ISOLANTE  | RANGO FILE                                  | SCALA           |                         |                |
| (UNLESS OTHERWISE SPECIFIED)  | (INS. DIA. RANGE)   | (WIRE RANGE)                                | (SCALE)         |                         |                |
| ± 0.3   | SEE SHEET 1   | SEE SHEET 1                                 | ***             |                         |                |
| ANGOLI (ANGLES) ± 2°  | <b>AMP</b> AMP ITALIA S.p.A.<br>corso F.lli Cervi, 15<br>COLLENO (TORINO) |   |                 |                         |                |
| DIS. (DR.)  | DESCRIZIONE (DESCRIPTION)   |   |                 |                         |                |
| CONT. (CNC)   | 3 W. SPLASH PROOF CONN. ASS'Y WITH SPECIAL POLARIZATION                   |   |                 |                         |                |
| REV. (REV.)   | LOC. (LOC.)   | SIZE (SIZE)                                 | NUMERO (DWS NO) | REV.                    | FOGLIO (SHEET) |
| (SEE SHEET 1 OF 2)  | I A3  | C-282545                                    | M               | 2                       | DI (DWS)       |