

4

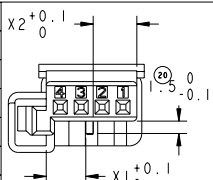
3

2

1

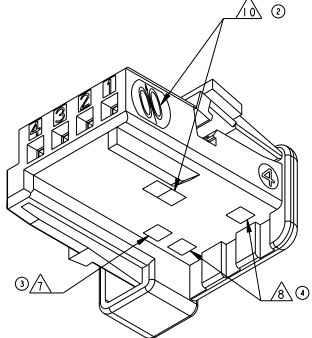
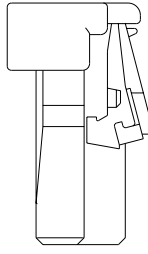
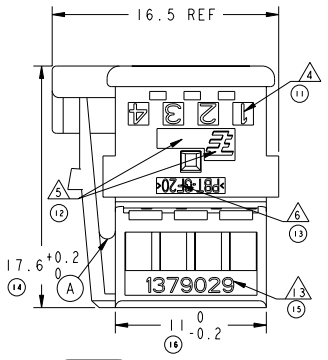
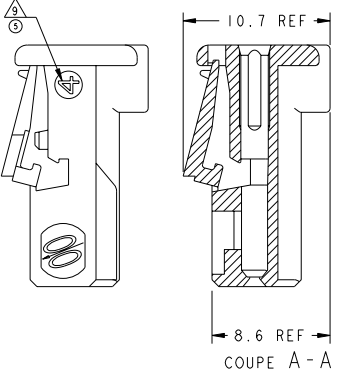
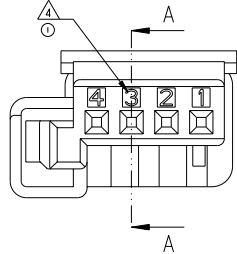
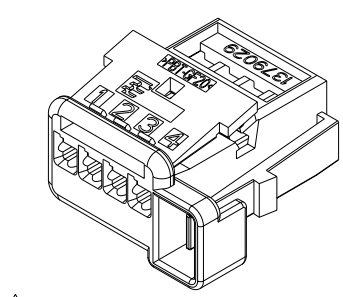
THIS DRAWING IS UNPUBLISHED. DIFFERENTIAL RIGHTS RESERVED BY TYCO ELECTRONICS CORPORATION. ALL RIGHTS RESERVED. RELEASED FOR PUBLICATION UNDER NDA REFERENCE TO THE MODEL NUMBER.

TABLE DE CODAGE - KEYING TABLE				
COULEUR COLOUR	X2 $+0.1$ 0	X1 $+0.1$ 0	REF. TE TE PN	
NOIR BLACK		① 8.7	②② 1.4	1379029-1
BLANC WHITE		③ 7.4	④ 2.7	1379029-2
BLEU BLUE		⑤ 6.1	⑥ 4	1379029-3
JAUNE YELLOW		⑦ 4.8	⑧ 5.3	1379029-4
GRIS GREY		⑨ 3.5	⑩ 6.6	1379029-5
MARRON BROWN		⑪ 2.2	⑫ 7.9	1379029-6



LOC	DIST	REVISIONS					
		P	LYA	DESCRIPTION MODIFICATIONS	DATE	DRW DESS.	APVS APP.
F	7	A		ADD RADIUS ON THE LOCKING LANCE RIB.	22JUN2011	SA	JJR
		B		TE UPDATE - MARKING POSITION UPDATED	25JAN2011	EC	XR

- NOTES :
- POSITION DES ALVEOLES SUIVANT INTERFACE TE 208-15592 INTERFACE ACCORDING TO TE 208-15592
  - PIECE A UTILISER AVEC LE CLIP MOS 144969-x, 928999-x OU 963715-x TO USE WITH MOS RECEPTACLE 144969-x, 928999-x OR 963715-x
  - 1379029-1 REPRESENT 1379029-1 AS SHOWN
  - REPERE D'ALVEOLE CAVITY IDENTIFICATION
  - LOGO TE OR AMP TE OR AMP STAMP
  - MARQUAGE MATIERE MATERIAL IDENTIFICATION
  - MARQUAGE DU MOULE (OPTION) MOLD IDENTIFICATION (OPTIONAL)
  - INDICE DE REVISION DE MOULE (EMPLACEMENT OPTIONNEL) MOLD REVISION NUMBER (OPTIONAL LOCATION)
  - NUMERO D'EMPREINTE DE MOULE MOLD CAVITY IDENTIFICATION NUMBER
  - DATEUR (EMPLACEMENT OPTIONNEL) DATE CODE (OPTIONAL LOCATION)
  - REFERENCE TE TE PN



DIMENSIONS: mm DIMENSIONS: INCHES MATERIAL: PBT GF20		TOLERANCES: ANGLES: 45° DIMENSIONS: mm: ±0.2 DIMENSIONS: INCHES: 45°		DW/PRESSING: 0 / LEMALRE DW/PROFILING: J / ALANGE DW/REVISION: J / REV11 PRODUCT SPEC: 108-15236 APPLICATION SPEC: 411-15635 WEIGHT: 1.2g CUSTOMER DRAWING: /PLAN CLIENT		DW/PRESSING: 13JAN00 DW/PROFILING: 14FEB00 DW/REVISION: J / REV11 PRODUCT SPEC: 108-15236 APPLICATION SPEC: 411-15635 WEIGHT: 1.2g CUSTOMER DRAWING: /PLAN CLIENT		TYCO Electronics 95301 PONTLOISE		NAME: PORTE-CLIPS 4 VOIES MOS AVALOIR 4 POS. MOS RECEPTACLE HOUSING POSITIVE MATE CASE CODE: 100779 DRAWING NO: 1379029 SCALE: 1:1 SHEET: 1 OF 1		RESTRICTED TO RESERVE A	
--	--	--	--	--	--	---	--	-------------------------------------	--	--	--	-------------------------	--