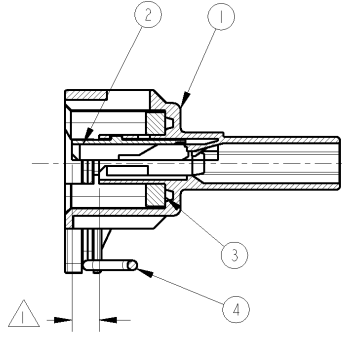
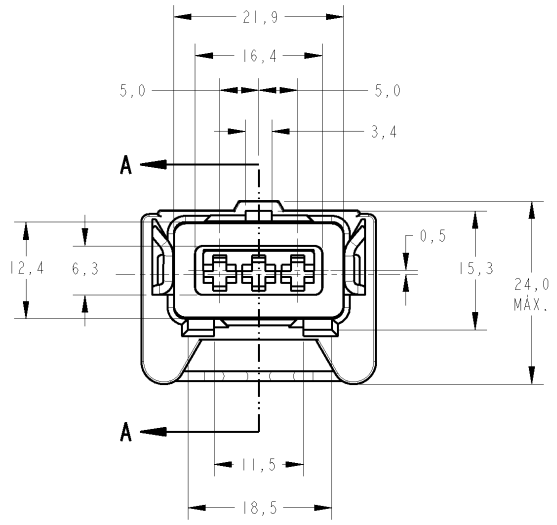
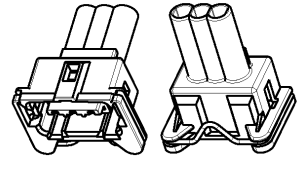


THIS DRAWING IS UNPUBLISHED. RELEASED FOR PUBLICATION  
 © COPYRIGHT 20 BY TYCO ELECTRONICS CORPORATION. ALL RIGHTS RESERVED.

LOC	DIST	REVISIONS			
P	LTR	DESCRIPTION	DATE	DWN	APVD
C		REDRAWN WITH CHANGES BY ECLB00-0159/01	25SEP2001	HL	PLF
C1		REVISED BY ECO 07-024293	19OCT2007	EGS	PLF
C2		REVISED DRAWING ECO-09-022571	07OCT2009	NCL	SHA



GRAVAÇÃO MARKING	
LOGOTIPO TE	TE LOGO
CÓDIGO PAIS PRODUTOR	MANUFACTURER COUNTRY CODE
NÚMERO COMPONENTE TE	TE COMPONENT NUMBER
NÚMERO CAVIDADE	CAVITY NUMBER
IDENTIFICAÇÃO CIRCUITO	CIRCUIT IDENTIFICATION
LOGOTIPO AUTOLATINA	AUTOLATINA LOGO
NÚMERO PEÇA CLIENTE	CUSTOMER PART NUMBER
PAIS PRODUTOR	MANUFACTURER COUNTRY

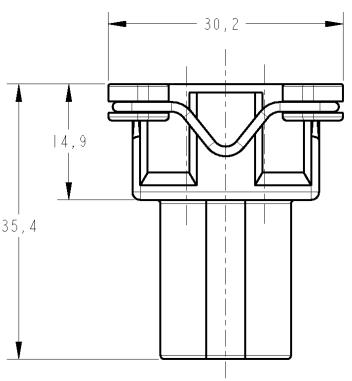


PERSPECTIVA  
 ESCALA 1:1  
 PERSPECTIVE VIEW  
 SCALE 1:1

SECTION A-A

- 1 - OS ÍTENS 1 E 2 DEVERÃO RESPEITAR A POSIÇÃO DE PRÉ-MONTAGEM, COMO SERÃO FORNECIDOS; ITEMS 1 AND 2 MUST RESPECT THE PRE ASSEMBLY POSITION AS IT IS SUPPLIED;
- 2 - CAVIDADES PARA TERMINAIS JR. POWER TIMER COM "WIRE SEAL" CAVITIES FOR JR. POWER TIMER TERMINALS WITH WIRE SEAL.

REQ. PER ASSY	ITEM	DESCRIPTION	MATERIAL	FINISH
	4	SPRING	ARAME / WIRE DIN 2076 Ø1.25	—
	3	RUBBER SEAL	SILICONE	LARANJA / ORANGE
	2	SPACER, 3 POSN., JR. POWER TIMER	PBT	AMARELO / YELLOW
	1	HOUSING, 9 POSN., JR. POWER TIMER	PBT + 30%GF	PRETO / BLACK



DIMENSIONS: mm 		TOLERANCES UNLESS OTHERWISE SPECIFIED: 0 PLC ± 1 PLC ±0.3 2 PLC ± 3 PLC ± 4 PLC ± ANGLES ±°		DWN H. LIVERARO 25SEP2001 CHK P. L. FARIAS 25SEP2001 APVD I. A. MARSON 25SEP2001		Tyco Electronics São Paulo, Brasil	
MATERIAL SEE TABLE FINISH SEE TABLE		PRODUCT SPEC 108-37025 APPLICATION SPEC		NAME HSG. ASSY., 3 POSN., JR. POWER TIMER		SIZE CAGE CODE DRAWING NO RESTRICTED TO A3 00779 C-881742	
CUSTOMER DRAWING				SCALE 2:1 SHEET 1 OF 1 REV 02			