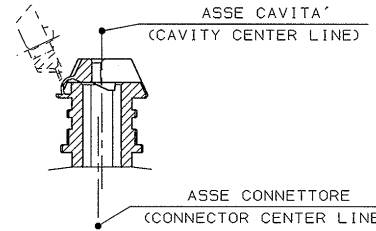
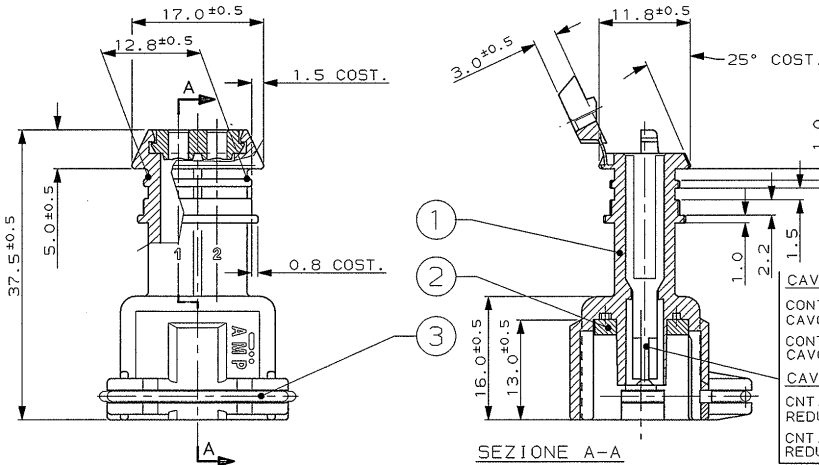


CONNETTORE TIPO A (CON MOLLA DI RITEGNO ESTERNA)
CONNECTOR TYPE A (WITH EXTERNAL SPRING)

SCALA NON IMPERATIVATA
(DO NOT SCALE)
DIMENSIONI IN mm
(DIMENSIONS IN)

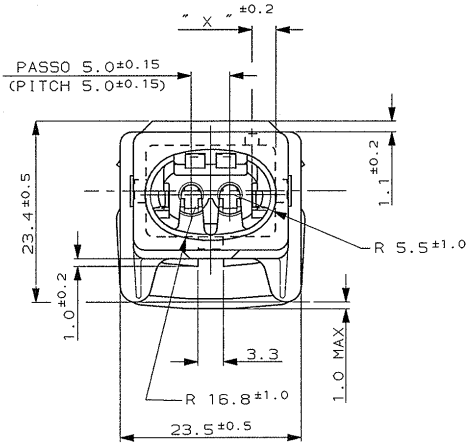
METRIC

PROIEZIONE EUROPEA
(EUROPEAN PROJECTION)



CAVITA' ADATTA PER TERMINALI JUNIOR POWER TIMER;
CONTATTO P/N 929939-1 0 -3 CON GOMMINO P/N 828904-1
CAVO ISOLANTE RIDOTTO ϕ 1.5-2.1mm; SEZIONE 0.5-1.0mm²
CONTATTO P/N 929937-1 0 -3 CON GOMMINO P/N 828905-1
CAVO ISOLANTE RIDOTTO ϕ 2.2-3.0mm; SEZIONE 1.5-2.5mm²
CAVITY SUITABLE FOR JUNIOR POWER TIMER CONTACT;
CNT. P/N 929939-1 OR -3 PLUS WIRE SEAL P/N 828904-1
REDUCED INS. CABLE ϕ 1.5-2.1mm; WIRE RANGE 0.5-1.0mm²
CNT. P/N 929937-1 OR -3 PLUS WIRE SEAL P/N 828905-1
REDUCED INS. CABLE ϕ 2.2-3.0mm; WIRE RANGE 1.5-2.5mm²

DIFFERISCE DAL ...-1 ESCLUSIVAMENTE PER IL PACKAGING
(DIFFERS FROM ...-1 ONLY FOR PACKAGING DETAILS)
2) PER DIMENSIONI CONTROPARTE VEDERE FOGLIO 2.
(FOR COUNTERPART DIMENSIONS SEE SHEET 2).



4.9	MARRONE (BROWN)	2-282682-1	△
3.1	GIALLO (YELLOW)	282685-1	
12.1	BIANCO (WHITE)	282684-1	
10.3	BLU (BLUE)	282683-1	
4.9	MARRONE (BROWN)	282682-1	
6.7	VERDE (GREEN)	282681-1	
8.5	GRIGIO (GREY)	282680-1	
" X "	COLORE / COLOR	NUMERO AMP PART. N°	

3	//////	ACCIAIO INOX (STAINLESS STEEL)	MOLLA (SPRING)
2	NATURALE (NATURAL)	GOMMA SILICONICA (SILICONE RUBBER)	GUARNIZIONE (RUBBER GASKET)
1	//////	NYLON 6.6 C.V. (PA 6.6-G.F.)	BLOCCETTO (HOUSING)
N° (ITEM)	FINITURA / COLORE (FINISH / COLOUR)	MATERIALE (MATERIAL)	DESCRIZIONE (DESCRIPTION)

CUSTOMER DWG. FOR REFERENCE ONLY

DISEGNO PER CLIENTE SOLO PER RIFERIMENTO

THIS DRAWING IS UNPUBLISHED

RELEASE FOR PUBLICATION

© COPYRIGHT 19 BY AMP INCORPORATED, HARRISBURG, PA. ALL INTERNATIONAL RIGHTS RESERVED. AMP PRODUCTS MAY BE COVERED BY U.S. AND FOREIGN PATENT AND/OR PATENT PENDING

TOLLERANZE, SE NON DIVERSAMENTE SPECIFICATO

(TOLERANCES, UNLESS OTHERWISE SPECIFIED)

1.5-3.0mm (REDUCED INS. CABLE)

0.5-2.5 mm²

SCALA (SCALE) ***

DESCRIPTION (DESCRIPTION)

2 WAY J.P.T. SPLASH PROOF CONN. ASS'Y WITH SECONDARY LOCK

LOC. SIZE NUMBER (LOC. NO)

(MASTER) REV. FOGLIO (SHEET)

I A3 C-282680 C 01

REV. DATA (APP. DATE)

DIS. DATA (APP. DATE)

REV. DATA (APP. DATE)

DIS. DATA (APP. DATE)

REV. DATA (APP. DATE)

DIS. DATA (APP. DATE)

REV. DATA (APP. DATE)

DIS. DATA (APP. DATE)

REV. DATA (APP. DATE)

DIS. DATA (APP. DATE)

REV. DATA (APP. DATE)

DIS. DATA (APP. DATE)

REV. DATA (APP. DATE)

DIS. DATA (APP. DATE)

REV. DATA (APP. DATE)

DIS. DATA (APP. DATE)

REV. DATA (APP. DATE)

DIS. DATA (APP. DATE)

REV. DATA (APP. DATE)

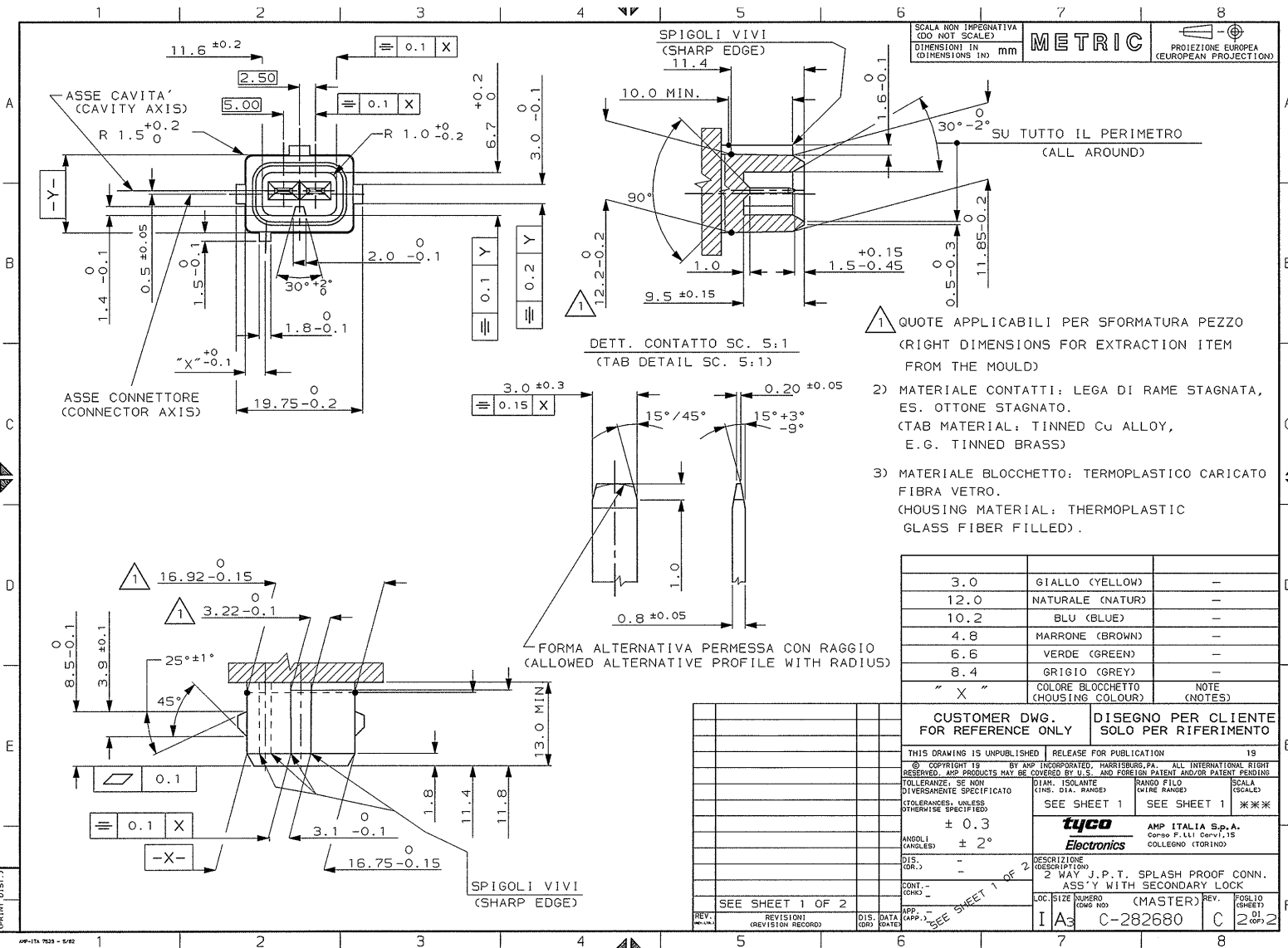
DIS. DATA (APP. DATE)

REV. DATA (APP. DATE)

DIS. DATA (APP. DATE)

PRINTED ON RECYCLED PAPER

AMP-114-7523 - 5/82



SCALA NON IMPEGNATIVA (DO NOT SCALE) DIMENSIONI IN mm METRIC PROIEZIONE EUROPEA (EUROPEAN PROJECTION)

- 1 QUOTE APPLICABILI PER SFORMATURA PEZZO (RIGHT DIMENSIONS FOR EXTRACTION ITEM FROM THE MOULD)
- 2) MATERIALE CONTATTI: LEGA DI RAME STAGNATA, ES. OTTONE STAGNATO. (TAB MATERIAL: TINNED CU ALLOY, E.G. TINNED BRASS)
- 3) MATERIALE BLOCCETTO: TERMOPLASTICO CARICATO FIBRA VETRO. (HOUSING MATERIAL: THERMOPLASTIC GLASS FIBER FILLED).

3.0	GIALLO (YELLOW)	—
12.0	NATURALE (NATUR)	—
10.2	BLU (BLUE)	—
4.8	MARRONE (BROWN)	—
6.6	VERDE (GREEN)	—
8.4	GRIGIO (GREY)	—
" X "	COLORE BLOCCETTO (HOUSING COLOUR)	NOTE (NOTES)

CUSTOMER DWG. FOR REFERENCE ONLY DISEGNO PER CLIENTE SOLO PER RIFERIMENTO

THIS DRAWING IS UNPUBLISHED		RELEASE FOR PUBLICATION	
© COPYRIGHT 1975 BY AMP INCORPORATED, HARRISBURG, PA. ALL INTERNATIONAL RIGHT RESERVED. AMP PRODUCTS MAY BE COVERED BY U.S. AND FOREIGN PATENT AND/OR PATENT PENDING.			
TOLLERANZE, SE NON DIVERSAMENTE SPECIFICATO (TOLERANCES, UNLESS OTHERWISE SPECIFIED)	DIAM. ISOLANTE (INS. DIA. RANGE)	RANGO FILE (DIE RANGE)	SCALA (SCALE)
± 0.3	± 0.3	SEE SHEET 1	***
ANGOLI (ANGLES)	± 2°	tyco Electronics	
DESCRIZIONE (DESCRIPTION)			
2 WAY J.P.T. SPLASH PROOF CONN. ASS'Y WITH SECONDARY LOCK			
LOC. SIZE (LOC. NO.)	NUMERO (CON. NO.)	(MASTER)	REV. (REV.)
I A3	C-282680	C	2 OF 2

DISTRIBUITORE (PRINT DIST.)