

4

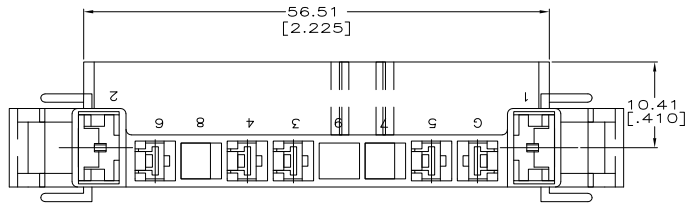
3

2

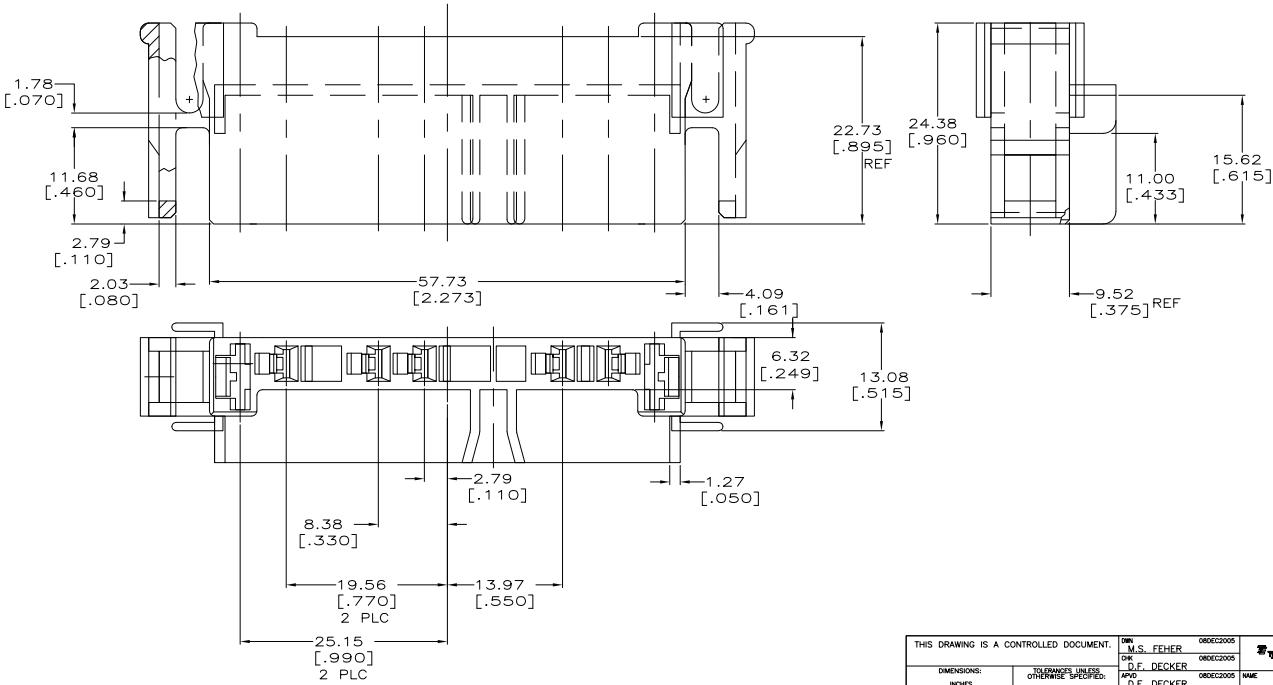
1

THIS DRAWING IS UNPUBLISHED. RELEASED FOR PUBLICATION. BY TYCO ELECTRONICS CORPORATION. ALL RIGHTS RESERVED.

LOC		DIBT		REVISIONS			
AF	50	P	LTR	DESCRIPTION	DATE	BY	APPD
		F1		REVISED PER ECR-08-003876	20MAR08	HMR	DD



1 HOUSING ACCOMMODATES (2) .250 SERIES FASTON RECEPTACLES AND (5) .125 BLADE RECEPTACLES AMP P/N 770642-1.



521085-1  
PART NUMBER

THIS DRAWING IS A CONTROLLED DOCUMENT.		DRN	M.S. FEHER	08062005	Tyco Electronics Corporation Harrisburg, PA 17105-3608		
DIMENSIONS:		CHK	D.F. DECKER	08062005	MOTOR HOUSING, DRYER, 7 CIRCUIT		
INCHES		APPD	D.F. DECKER	08062005	SIZE	CAGE CODE	DRAWING NO
OTHER DIMENSIONS: UNLESS OTHERWISE SPECIFIED:		PRODUCT SPEC			A2	00779	C=521085
0 PLC ±		APPLICATION SPEC			RESTRICTED TO		
1 PLC ±		WEIGHT					
2 PLC ±		CUSTOMER DRAWING			SCALE	SHEET	REV
3 PLC ±					3:1	1 of 1	F1
4 PLC ±							
ANGLES ±							
MATERIAL							
NYLON, TYPE 6/6							
FINISH							
COLOR-NATURAL							

AMP 1471-9 REV 31MM2000

521085

A