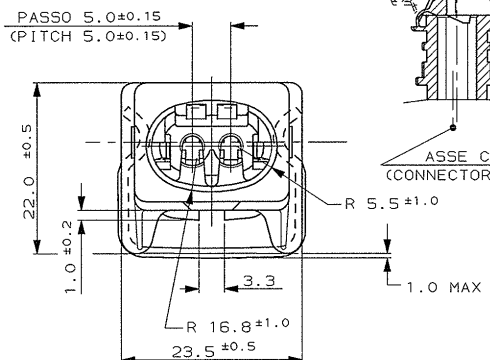
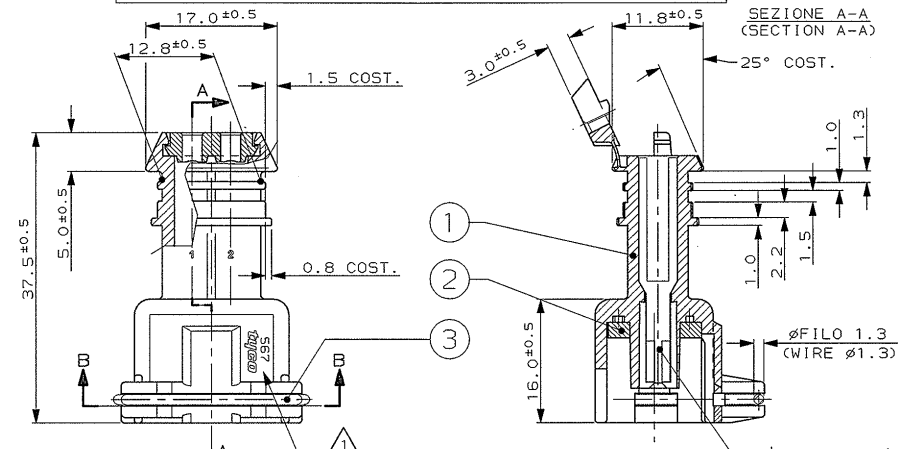


CONNETTORE TIPO A (CON MOLLA DI RITEGNO ESTERNA)
CONNECTOR TYPE A (WITH EXTERNAL SPRING)

SCALA NON IMPEGNATIVA
(DO NOT SCALE)
DIMENSIONI IN
(DIMENSIONS IN) mm

METRIC

PROIEZIONE EUROPEA
(EUROPEAN PROJECTION)



TIP. CAVITA' PER TERMINALI AMP JPT P/N 929939-...
OPPURE 929937-... E RELATIVI GOMMINI
AMP P/N 828904-1, 828905-1, 828536-1.
TAPPO CAVITA' P/N 828906-2
(TYP. CAV. FOR JPT CONT. P/N 929939-... A/O 929937-... AND REL.
SINGLE WIRE SEAL P/N 828904-1, 828905-1, 828536-1
CAVITY PLUG P/N 828906-2)

NERO (BLACK)	2-282189-1
ROSSO (RED)	282189-8
GIALLO (YELLOW)	282189-7
MARRONE (BROWN)	282189-6
BLU (BLUE)	282189-5
VERDE (GREEN)	282189-4
NATURALE (CLEAR)	282189-3
GRIGIO (GREY)	282189-2
NERO (BLACK)	282189-1

3	//////	ACCIAIO INOX (STAINLESS STEEL)	MOLLA (SPRING)
2	NATURALE (CLEAR)	GOMMA SILICONICA (SILICONE RUBBER)	GUARNIZIONE (RUBBER GASKET)
1	//////	PA 6.6 C. VETRO (PA 6.6 G.F.)	BLOCCETTO (HOUSING)

L3	REVISED (ECR-05-024211)	N. G. 05-99	19
L2	REVISED (ECR 05-012643)	N. G. 08-10	19
L1	REVISED FOR ET00-0080-98	N. P. 12-93	19
L	AGGIOR. CON ET00-0221-96 REVISED FOR ET00-0221-96	A.F. 27-98	19
G	AGGIOR. CON ET00-0108-95 REVISED PER ET00-0108-95	H.P. 11-95	19
F	AGG. FOGLIO 2 (ADDED SH.2)	R.M. 3-93	19
E	IN PRODUZIONE (IN PRODUCTION)	R.M. 13-10	19
D	AGGIORNATO (REVISED)	R.M. 17-92	19
C	AGGIORNATO (REVISED)	R.M. 20-92	19
B	AGGIORNATO (REVISED)	R.M. 30-89	19
A	HAS P/N C-90-S1285-10 (REVISIONI) (REVISION RECORD)	C.E. 2.91 DIS. DATA (DR)	19

CUSTOMER DWG. FOR REFERENCE ONLY

DISEGNO PER CLIENTE SOLO PER RIFERIMENTO

THIS DRAWING IS UNPUBLISHED. RELEASE FOR PUBLICATION 19

© COPYRIGHT 19 BY AMP INCORPORATED, HARRISBURG, PA. ALL INTERNATIONAL RIGHT RESERVED. AMP PRODUCTS MAY BE COVERED BY U.S. AND FOREIGN PATENT AND/OR PATENT PENDING

TOLLERANZE: SE NON DIVERSAMENTE SPECIFICATO (TOLERANCES: UNLESS OTHERWISE SPECIFIED)

DIAM. ISOLANTE (INS. DIA. RANGE) 1.5-3.0 (REDUCED INS. CABLE)

RANGO FILO (WIRE RANGE) 0.5-2.5 mm² ※※※

tyco Electronics

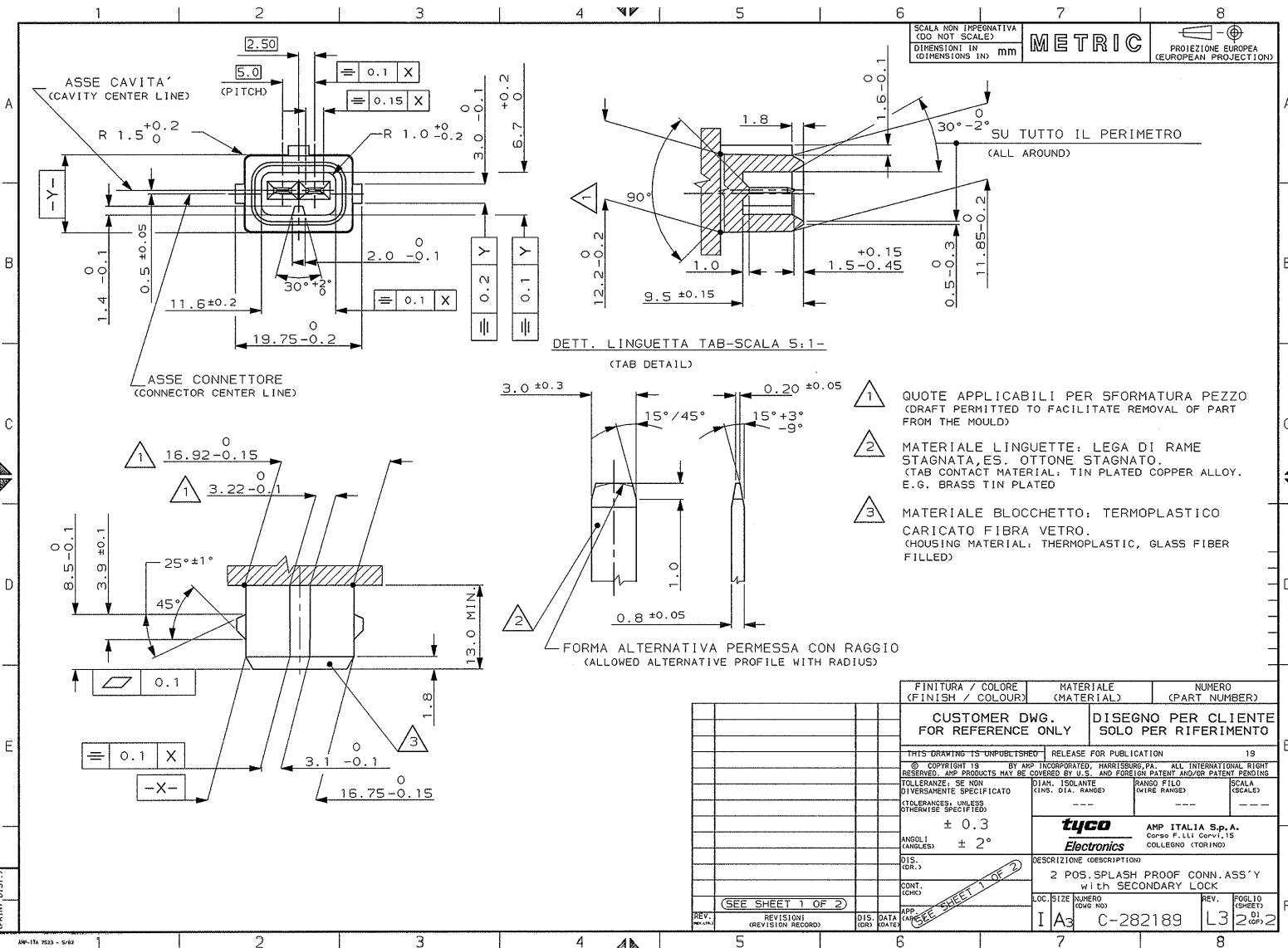
AMP ITALIA S.p.A. Corso F.lli Corvi, 15 COLLEGGNO (TORINO)

DESCRIZIONE (DESCRIPTION) 2 W. SPLASH PROOF CONN. ASS'Y with SECONDARY LOCK

LOC. SIZE NUMBER (CND NO) I A3 C-282189 L3

REV. FOGLIO (SHEET) 13 DI 21

- 1 LOGO TYCO O, IN ALTERNATIVA, LOGO AMP (TYCO LOGO OR, IN ALTERNATIVE, AMP LOGO)
- 2 DIFFERISCE DAL ...-1 ESCLUSIVAMENTE PER IL PACKAGING (DIFFERS FROM ...-1 ONLY FOR PACKAGING DETAILS)
- 3) PER DIMENSIONI CONTROPARTE VEDERE FOGLIO 2 (FOR COUNTERPART DIMENSIONS SEE SHEET 2)



- 1 QUOTE APPLICABILI PER SFORMATURA PEZZO (DRAFT PERMITTED TO FACILITATE REMOVAL OF PART FROM THE MOULD)
- 2 MATERIALE LINGUETTA: LEGA DI RAME STAGNATA, ES. OTTONE STAGNATO. (TAB CONTACT MATERIAL: TIN PLATED COPPER ALLOY, E.G. BRASS TIN PLATED)
- 3 MATERIALE BLOCCETTO: TERMOPLASTICO CARICATO FIBRA VETRO. (HOUSING MATERIAL: THERMOPLASTIC, GLASS FIBER FILLED)

FINITURA / COLORE (FINISH / COLOUR)	MATERIALE (MATERIAL)	NUMERO (PART NUMBER)
CUSTOMER DWG. FOR REFERENCE ONLY	DISEGNO PER CLIENTE SOLO PER RIFERIMENTO	
THIS DRAWING IS UNPUBLISHED		RELEASE FOR PUBLICATION 19
© COPYRIGHT 1988 BY AMP INCORPORATED, HARRISBURG, PA. ALL INTERNATIONAL RIGHTS RESERVED. AMP PRODUCTS MAY BE COVERED BY U.S. AND FOREIGN PATENT AND/OR PATENT PENDING.		
TOLLERANZE, SE NON DIVERSAMENTE SPECIFICATO (TOLERANCES, UNLESS OTHERWISE SPECIFIED)	DIAM. ISOLANTE (INS. DIA. RANGE)	RANGO FILO (WIRE RANGE)
± 0.3	---	---
ANGOLI (ANGLES)	SCALA (SCALE)	
± 2°	---	
DIS. (DR.)	DESCRIZIONE (DESCRIPTION)	
CONT. (CNC)	2 POS. SPLASH PROOF CONN. ASS'Y with SECONDARY LOCK	
APP. (APP.)	LOC. SIZE (LOC. NO.)	REV. (REV.)
(SEE SHEET 1 OF 2)	I A3	C-282189 L3
REV. (REV.)	DIS. DATA (DR. DATE)	FOLIO (SHEET)
(REVISION RECORD)		2 OF 2

DISTRIBUITORE (PRINT DIST.)