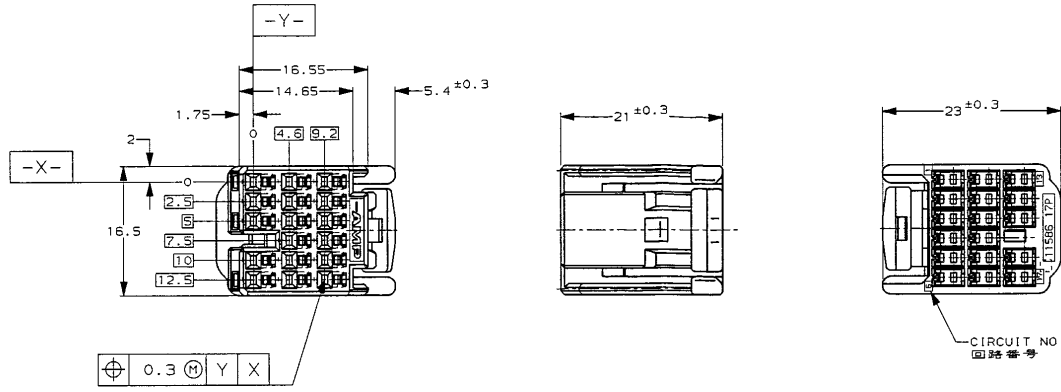


THIS DRAWING IS UNPUBLISHED. RELEASED FOR PUBLICATION
 (C) COPYRIGHT 19 BY AMP INCORPORATED. ALL RIGHTS RESERVED.

REVISONS		DESCRIPTION	ECN	DATE	DWN	APVD
P	LTR	0 DRAWN	FJ00-4999-96	7/5 '96	244	1/1



NOTES
 1. PART NUMBER OF CAP HOUSINGS TO BE MATED; 353015, 353016
 2. DETAILS OF CAVITIES; SEE TABLE-1

注記
 1. 嵌合相手ハウジング型番; 353015, 353016
 2. キャビティ構成は、TABLE-1 参照

TABLE-1

CAVITY	POS.	CIRCUIT NO	APPLIED CONTACT P/N	APPLICABLE WIRE RANGE
キャビティ	座番	回路番号	適用端子型番	適用電線
	17	1-17	.040 UNSEALED CONTACT RECEPTACLE(S) 316836, 316837	AVSS/CAVS 0.3-0.5mm ² CAVUS 0.3-0.5mm ²

THIS DRAWING IS A CONTROLLED DOCUMENT FOR AMP INCORPORATED. IT IS SUBJECT TO CHANGE AND THE CONTROLLING ENGINEERING ORGANIZATION SHOULD BE CONTACTED FOR THE LATEST REVISION.

DIMENSIONS 単位: 略 mm	TOLERANCES UNLESS OTHERWISE SPECIFIED 一般公差 10% ±0.2 30% ±0.25 100% ±0.3 ANGLE: ±3°
MATERIAL 材質 PBT	COLOR 色 SEE TABLE 表参照

OWN: 7/5/96
 CHK: J. Kohno 7/5/96
 APVD: [Signature]
 NAME: [Signature]
 PRODUCT SPEC: 108-5529
 APPLICATION SPEC: 114-5217
 WEIGHT: 3.69g
 CUSTOMER DRAWING

NATURAL (自然色)	353027-1
COLOR (色)	PART NUMBER (型番)
AMP 日本エー・エム・ピー株式会社 Kawasaki, Japan	
.040 SERIES HIGH DENSITY III CONNECTOR 17P PLUG HOUSING ASSY	
SIZE	CAGE CODE
A3	00779
DRAWING NO 番号 C-353027	
SCALE 尺度	SHEET OF REV
2-1	1 OF 1 0