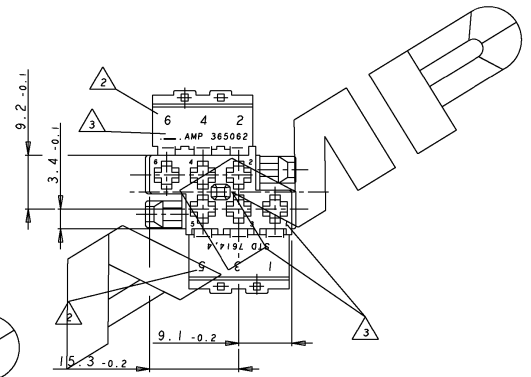
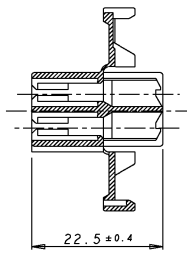
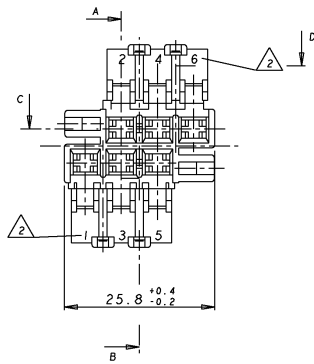


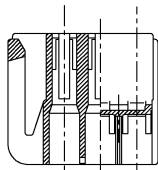
CAD-Original

Index	Description	Date	Name
A	REDRAWN	20-02-85	ULLRICH
B	CONTOUR AND DIMENSION	12-1-88	M. KLAUTHE
C	REDRAWN	28 JUL 87	H. BOUDA
D	TRANSFERRED TO AMPES PER EC ES00-1753-93	15-6-93	J. PASCUAL
E	SEE EC ES00-0023-03	10-2-93	A. HERRANZ

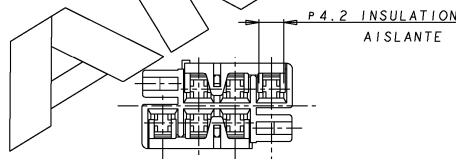
SECTION A-B
SECTION



SECTION C-D
SECTION



DETALLE CAJA CON BISAGRA CERRADA
HOUSING WITH CLOSED FLAP



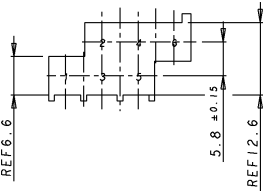
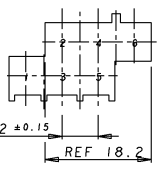
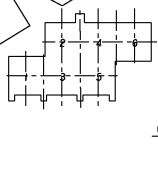
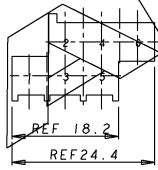
- MATERIAL Y COLORES HAN DE ESTAR LIBRES DE CADMIO
MATERIAL AND COLORS ARE FREE OF CADMIUM
- 1 ALTURA LETRA 2
CHARACTER HEIGHT 2
- 2 ALTURA LETRA 1
CHARACTER HEIGHT 1
- 3 USAR CON 365061
FITTING WITH 365061
- 4 LAS PIEZAS DEBEN IR EMPAQUETADAS HERMETICAMENTE
Y SU CONTENIDO DE HUMEDAD DEBE SER 2.5±1%
PARTS MUST BE AIR TIGHT PACKAGED,
MOISTURE CONTENT MUST BE 2.5±1%

CODIGO 1
CODING

CODIGO 2
CODING

CODIGO 3
CODING

CODIGO 4
CODING



CUSTOMER DWG

CODE 4	365062-4	PA 6.6	YELLOW	AMP ESPAÑOLA, S. A. BARCELONA - SPAIN
CODE 3	365062-3	PA 6.6	BLACK	
CODE 2	365062-2	PA 6.6	GREY	
CODE 1	365062-1	PA 6.6	NATUR	
Code NO.	Part Number	Material	Finish Colour	GENERAL TOLERANCES ±0.2 mm ±0.1"
DR	10.10.84	CH	15-6-93	APP
	R.ULLRICH	J.PASCUAL	L.BATLLO	SCALE 2:1
NAME 6 POS. HOUSING FOR JUNIOR TIMER CONTACT				
DWG NO. 365062				REV. DWG : E SHEET 1 OF 1

LOC AL DISF 2