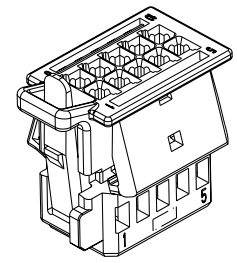
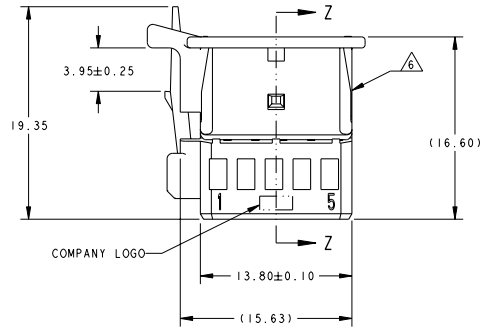
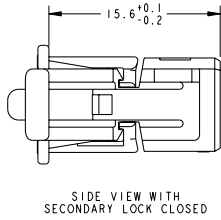
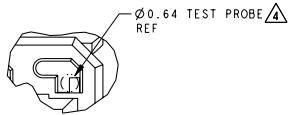


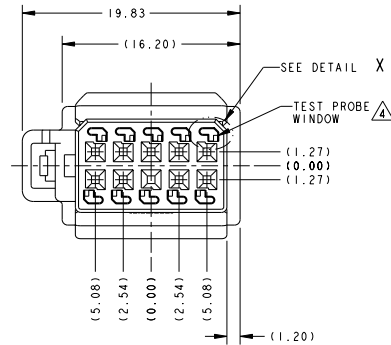
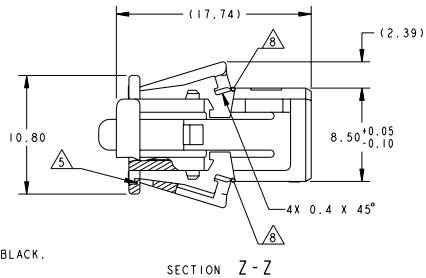
LOC IN 00

REVISIONS					
REV	DATE	BY	CHK	APPV	DESCRIPTION
A	20MAR2005	KF	AJV		REV PER ECR-05-000943
B	02FEB2006	KF	AJV		REV PER ECR-06-002712
B1	08OCT2007	AH	BK		REV PER ECR-07-022031
B2	22JUN2010	VSS	DZ		PER ECR-10-012906



APPLICABLE TERMINALS & WIRE SIZES

DESCRIPTION	TE P/N	WIRE SIZE	WIRE SIZE (MM <sup>2</sup> )
TERMINAL - FEMALE (Sn)	928999-1	20-22 AWG	0.22-0.5
TERMINAL - FEMALE (Au)	928999-5	20-22 AWG	0.22-0.5
TERMINAL - FEMALE (Sn)	963715-1	18 AWG	0.75
TERMINAL - FEMALE (Au)	963715-5	18 AWG	0.75



- △ MAT'L: PBT, 15% GLASS FILLED, BLACK.
- 2. 1488973-1 SHOWN
- 3. REFER TO PRODUCT GROUP DRAWING 929454 FOR TERMINAL CONTACT INFORMATION. THIS PLUG WILL NOT WORK WITH TERMINALS DESIGNED FOR INDIVIDUAL WIRE SEALS.
- △ SEE APPLICATION SPEC. 114-13143 FOR TEST PROBE LOCATION LAYOUT.
- △ WHEN SECONDARY LOCK IS TRANSITIONED FROM THE OPEN TO THE CLOSED POSITION THE PLASTIC ATTACHING THE SECONDARY LOCK IS ALLOWED/ASSUMED TO BREAK AWAY IN THE AREA SHOWN (TYPICAL).
- △ FOUR DIGIT DATE CODE (MMYY), LOCATED IN APPROXIMATE AREA SHOWN.
- 7. REFERENCE TYCO ELECTRONICS DRAWING NUMBER 1488974 FOR MATING INTERFACE DESIGN DETAILS.
- △ DURING SHIPPING THESE WEBS MAY BE FRACTURED, AND UP TO 1% OF PARTS MAY HAVE ONE OR BOTH SECONDARY LOCKS IN THE CLOSED POSITION. REFER TO APPLICATION SPEC 114-13143 FOR INSTRUCTION ON USING PARTS IN THIS CONDITION.

KEY	PART NUMBER
KB	1488973-2
KA	1488973-1

DIMENSIONS: mm DIMENSIONS: INCHES		DWN: J. R. SHUE, 22DEC2003 CDR: E. KINSEY, 22JUN2004 APPR: E. KINSEY, 22JUN2004	Tyco Electronics Harrisburg, PA 17105-3608
TO MANUFACTURE: THIS DRAWING IS UNPUBLISHED. RELEASED FOR PUBLICATION BY TYCO ELECTRONICS CORPORATION. ALL RIGHTS RESERVED. COPYRIGHT 20		PRODUCT SPEC: 108-18590-0 APPLICATION SPEC: 114-13143 WEIGHT: 1.7 G	NAME: SOCKET HOUSING, 10 POSITION 2 X 5, MOS CONNECTOR SHEET: A2 CASE CODE: 00779 DRAWING NO: 1488973
MATERIAL: PBT		CUSTOMER DRAWING	RESTRICTED TO: - SCALE: 4:1 SHEET: 1 OF 1 REV: B2