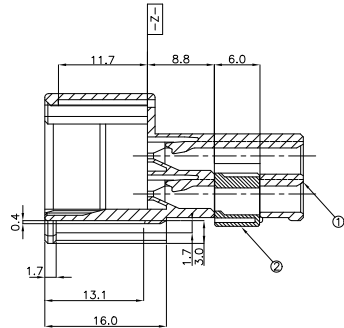
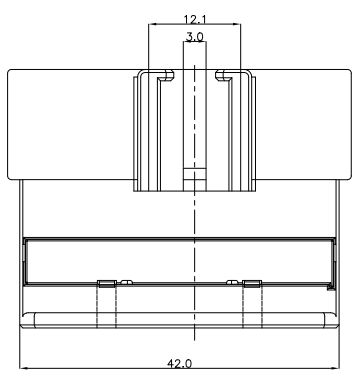
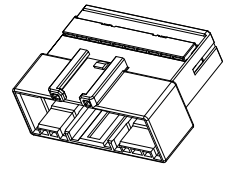
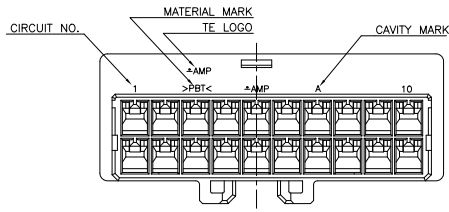
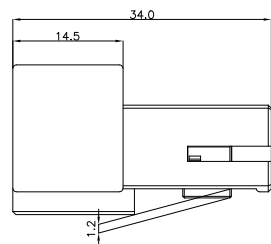
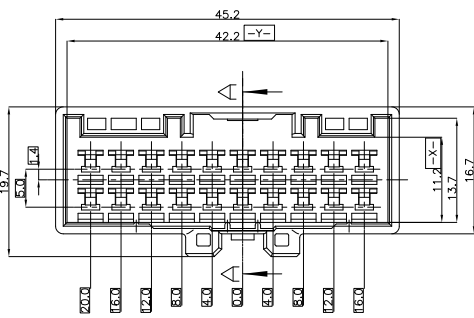


THIS DRAWING IS UNPUBLISHED. RELEASED FOR PUBLICATION
 © COPYRIGHT BY TYCO ELECTRONICS CORPORATION, ALL RIGHTS RESERVED.

LDC	DIST	REVISIONS					
DS	-	P	LTR	DESCRIPTION	DATE	DWN	APV8
		C		REVISED (FC00-0167-03)	09.DEC.'03	YH	CS
		C1		REVISED (ECR-09-005035)	24.MAR.'09	KT	HG



NOTES.
 1. THE MATING HSG. P/N ; 936095
 2. APPLIED CONTACT P/N ; 090 II TAB.- 368086, 368087, 368088, 1897752

-주 기-
 1. 상대 하우징 P/N. : 936095
 2. 적용단자 P/N. : 090 II TAB.- 368086, 368087, 368088, 1897752

ASSY P/N
0-936131-8
0-936131-6
0-936131-5
0-936131-4
0-936131-3
0-936131-2
0-936131-1

NO	COLOR	MATERIAL	DESCRIPTION	P/N	QTY
1	BLUE	PBT	CAP	0-936132-8	1
	RED	PBT	CAP	0-936132-6	1
	YELLOW	PBT	CAP	0-936132-5	1
	BRDWN	PBT	CAP	0-936132-4	1
	D/GRAY	PBT	CAP	0-936132-3	1
	BLACK	PBT	CAP	0-936132-2	1
	NATURAL	PBT	CAP	0-936132-1	1
2	NATURAL	PBT	DBL	0-936097-1	1

THIS DRAWING IS A CONTROLLED DOCUMENT FOR TYCO ELECTRONICS CORPORATION. IT IS SUBJECT TO CHANGE, AND THE CONTROLLING ENGINEERING ORGANIZATION SHOULD BE CONTACTED FOR THE LATEST REVISION.

DIMENSIONS: MM	TOLERANCES UNLESS OTHERWISE SPECIFIED: 0 CXXC10 ± 0.2 10CXXC30 ± 0.25 30CXX ± 0.3 ANGLES ± 3°
MATERIAL: SEE TABLE	FINISH

DWN: K.T. JUNG CHK: J.W. JUNG APV8: H.S. CHO PRODUCT SPEC: - APPLICATION SPEC: - WEIGHT: -	AMP KOREA, Kyungsan, Korea NAME: 090III 20P CAP ASS'Y SIZE: A3 CAGE CODE: 00779 DRAWING NO: G-936131 RESTRICTED TO: - CUSTOMER DRAWING: SCALE 2/1 SHEET 1 OF 1 REV C1
---	---