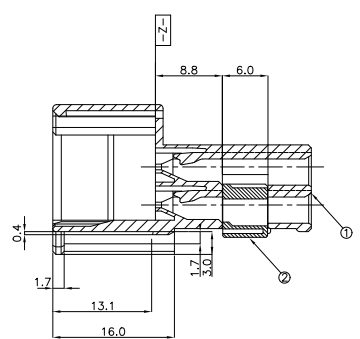
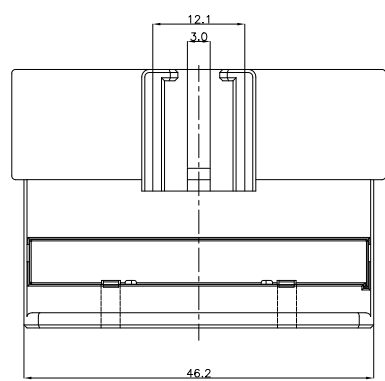
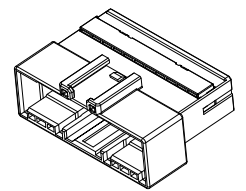
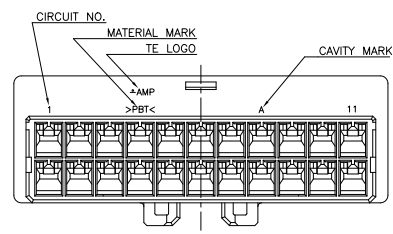
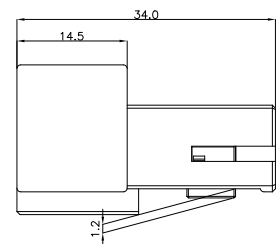
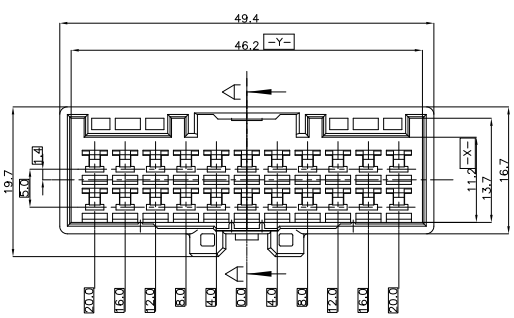


THIS DRAWING IS UNPUBLISHED. RELEASED FOR PUBLICATION
 © COPYRIGHT BY TYCO ELECTRONICS CORPORATION, ALL RIGHTS RESERVED.

LDC	DIST	REVISIONS			
P	LTR	DESCRIPTION	DATE	DWN	APVD
B		REVISED (FC00-0014-03)	28.JAN.'03	KTLIM	CS
BI		REVISED (ECR-09-005035)	24.MAR.'09	KT	HG



NOTES.
 1. THE MATING HSG. P/N ; 936151
 2. APPLIED CONTACT P/N ; 090 II TAB.- 368086, 368087, 368088, 1897752

-주기-
 1. 상대 하우징 P/N. ; 936151
 2. 적용단자 P/N. ; 090 II TAB.- 368086, 368087, 368088, 1897752

ASSY P/N
0-936154-8
0-936154-5
0-936154-4
0-936154-3
0-936154-2
0-936154-1

NO	COLOR	MATERIAL	DESCRIPTION	P/N	QTY
1	BLUE	PBT	CAP	0-936155-8	1
	YELLOW	PBT	CAP	0-936155-5	1
	BROWN	PBT	CAP	0-936155-4	1
	D/GRAY	PBT	CAP	0-936155-3	1
	BLACK	PBT	CAP	0-936155-2	1
	NATURAL	PBT	CAP	0-936155-1	1
2	NATURAL	PBT	DBL	0-936153-1	1 1 1 1 1 1

<small>THIS DRAWING IS A CONTROLLED DOCUMENT FOR TYCO ELECTRONICS CORPORATION IT IS SUBJECT TO DOWNSIDE AND THE CONTROL ENGINEERING ORGANIZATION SHOULD BE CONTACTED FOR THE LATEST REVISION.</small>	
DIMENSIONS: MM 	TOLERANCES UNLESS OTHERWISE SPECIFIED: 0-XX.X0 ± 0.2 10-XX.X30 ± 0.25 30-XX ± 0.3 ANGLES ± 3°
MATERIAL SEE TABLE	FINISH

DWN KT JUNG	AMP KOREA. Kyungsan, Korea	
CHK JW JUNG	NAME	
APVD HSG CHD	090III 22P CAP ASS'Y	
PRODUCT SPEC -	SIZE A3	CAGE CODE 00779
APPLICATION SPEC -	DRAWING NO G=936154	RESTRICTED TO -
WEIGHT -	CUSTOMER DRAWING	SCALE 2/1 SHEET 1 OF 1 REV B1