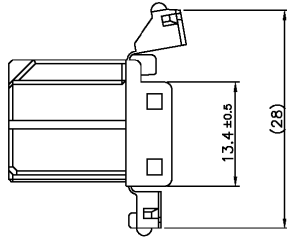
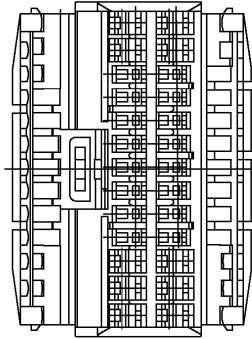
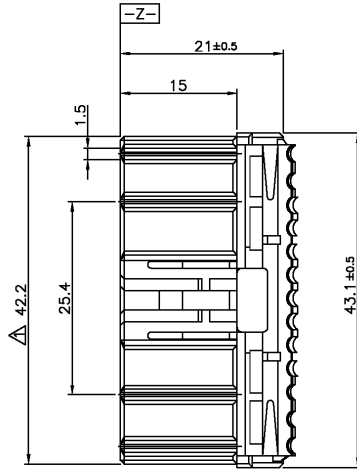
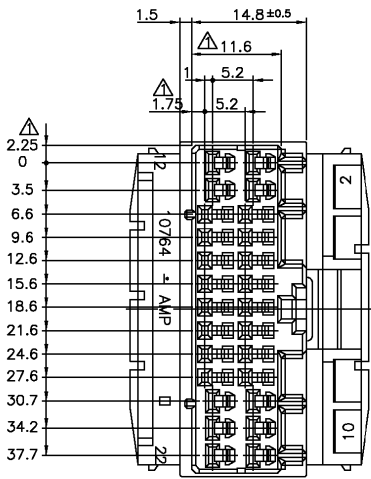


THIS DRAWING IS UNPUBLISHED. RELEASED FOR PUBLICATION
 © COPYRIGHT BY TYCO ELECTRONICS CORPORATION. ALL RIGHTS RESERVED.

LOC	DIST	REVISIONS			
P	LTR	DESCRIPTION	DATE	DWN	APVD
	O	RELEASED(RD96-369)	NOV/25/96	HS	CS
	A	REVISED(FC00-0115-98)	DEC/24/98	HS	CS
	B	REVISED(FC00-0084-03)	09/JUN/03	HS	CS



YELLOW	-7
GRAY	-6
BLACK	-2
NATURAL	-1
COLOR	P/N

NOTES;

- △ MUST BE KEPT BETWEEN $-Z-$ AND 2mm.
- THE MATING CAP HOUSING PART NUMBER, 174518
- APPLIDE CONTACT PART NUMBER, 173631, 173716
- APPLICABLE PRODUCT SPEC NO. 108-5280

<small>THE DIMENSIONS OF THIS DRAWING ARE FOR INFORMATION ONLY. DIMENSIONS SHOWN ON THIS DRAWING ARE SUBJECT TO CHANGE AND THE SUPPLIER'S DIMENSIONS SHOULD BE CONSULTED FOR THE LATEST REVISION.</small>		DWN	tyco		AMP KOREA.
DIMENSIONS: MM		CHK	Electronix		kyungsan, korea
TOLERANCES UNLESS OTHERWISE SPECIFIED: 0 <XX<10 ± 0.2 10 <XX<30 ± 0.25 30 <XX ± 0.3 ANGLES ± 3°		APVD	NAME		
 3rd ANGLE PROJECTION		PRODUCT SPEC	26P PLUG HOUSING, HYBRID I/O CONN.		
MATERIAL PBT		APPLICATION SPEC	SIZE	CAGE CODE	DRAWING NO
FINISH		WEIGHT	A3	00779	368136
			SCALE	SHEET	REV
			2/1	1 OF 1	B