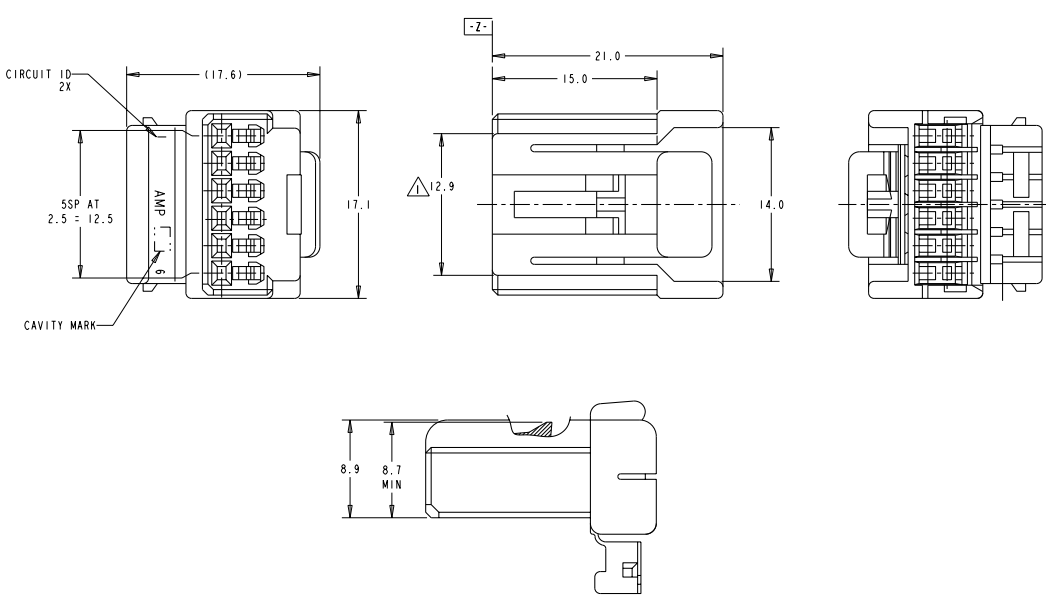


THIS DRAWING IS UNPUBLISHED. RELEASED FOR PUBLICATION
 BY TYCO ELECTRONICS CORPORATION. ALL RIGHTS RESERVED.

LOC	DIST	REVISIONS			
P	LYR	DESCRIPTION	DATE	BY	APPR
E		REVISED PER ECO-09-023572	23OCT2009	DD	SA

- 1. MUST BE HELD BETWEEN $\square-Z-$ AND 2mm FROM $\square-Z-$
- 2. THE MATING CAP ASSEMBLY PART NUMBER IS 638102.
- 3. APPLIED RECEPTACLE CONTACT IS 173681.



NATURAL	638100-1
COLOR	PART NUMBER

DIMENSIONS: mm		TO BE USED IN CONJUNCTION WITH THE RECEPTACLE CONTACTS FOR THE CORRESPONDING CONTACTS FOR THE CORRESPONDING CONTACTS.		DWG P. COLLINS 04JUN97 CHK D. STILLIE 04JUN97 APPR S. BROEGER 04JUN97	Tyco Electronics Harrisburg, PA 17105-3608	
DIMENSIONS: mm		TO BE USED IN CONJUNCTION WITH THE RECEPTACLE CONTACTS FOR THE CORRESPONDING CONTACTS FOR THE CORRESPONDING CONTACTS.		NAME S. BROEGER 04JUN97	PLUG HOUSING, 6 POSITION, .040 SERIES, MULTI-LOCK I/O CONNECTOR	
MATERIAL FINISH		DIMENSIONS: mm 0 PLC .00-25 1 PLC .00-15 2 PLC .00-10 3 PLC .00-10 4 PLC .00-10 5 PLC .00-10 6 PLC .00-10 ANGLES FINISH		APPLICATION SPEC WEIGHT CUSTOMER DRAWING	CASE CODE A200779	DRAWING NO 638100
				SCALE 4:1 SHEET 1 OF 1	RESTRICTED TO REV E	

AMP 1471-9 REV 31MAR2000
 PROFESSIONAL DRAWING

638100