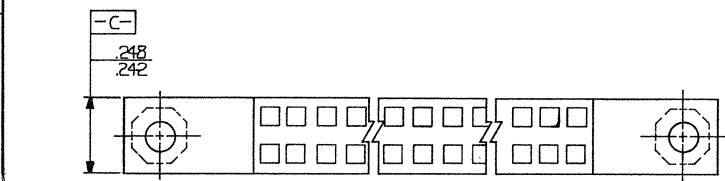
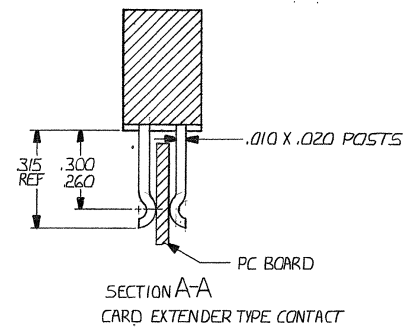
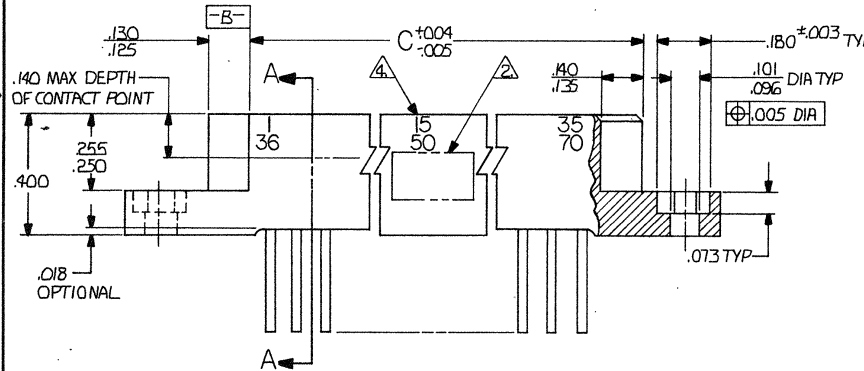
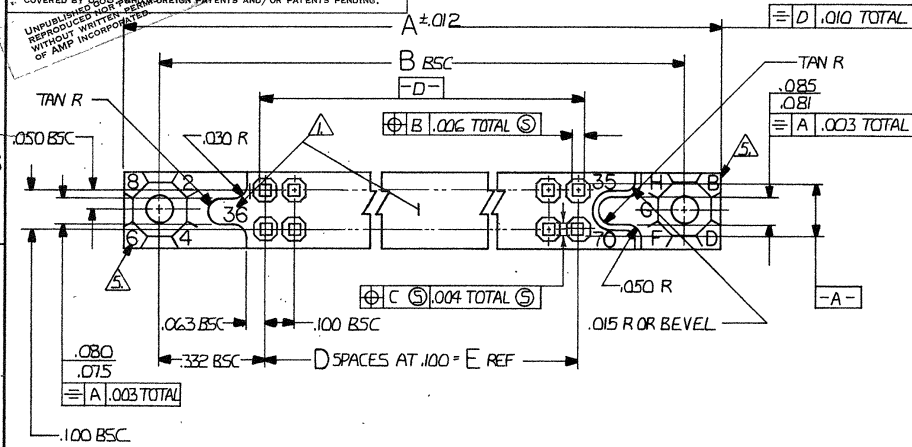


DRAWING MADE IN THIRD ANGLE PROJECTION

© COPYRIGHT 1976 BY AMP INCORPORATED, HARRISBURG, PA.
 ALL INTERNATIONAL PATENTS RESERVED. AMP INCORPORATED PRODUCTS
 COVERED BY U.S. PATENT DESIGN PATENTS AND/OR PATENTS PENDING.
 UNPUBLISHED INVENTIONS ARE RESERVED.
 REPRODUCED WITHOUT WRITTEN PERMISSION OF AMP INCORPORATED.

LOC DIST
 DF FO

| P | F | ZONE | LTR | DESCRIPTION | DATE | APPROVED |
|---|---|------|-----|--------------------------|---------|----------|
| | | 01 | | REVISED 5061 m.s. | 2-2-77 | |
| | | 02 | | REVISED 6157 DLK | 7-19-79 | DF |
| | | 03 | | MIL. P/N'S ASSIGNED | 4-80 | DLK & P |
| | | 04 | | REVISED PER ECN 8248 WPC | 12-82 | DF |
| | | A | | REVISED PER ECN AB-0535 | 1-3-85 | EA M |
| | | B | | REV PER DF-2240 | 10-5-80 | AS M |
| | | C | | REV PER 0600-5852-96 | 4-98 | DF |
| | | D | | REV PER ECO-05-013278 | 11-05 | PY |



| | | | |
|--|--------|-----------------------------------|---|
| UNLESS OTHERWISE SPECIFIED DIMENSIONS ARE IN INCHES. TOLERANCES ON: DECIMALS ±.005 ANGLES ±.005 | | CONTRACT NO | PART NO |
| MATERIAL | FINISH | DR CHK R. Williams 11-23-76 | NAME AMP INCORPORATED Harrisburg, Pa. |
| | | APPD R. Williams 11-23-76 | SIZE CODE IDENT NO DRAWING NO |
| | | APPRO D. Williams 11-23-76 | C 00779 530782 |
| | | DSGN APPD | SCALE 4-1 SHEET 1 OF 2 |
| | | OTHER APPD | |

CUSTOMER DRAWING

AMP 1471-6 (7-73)

530782

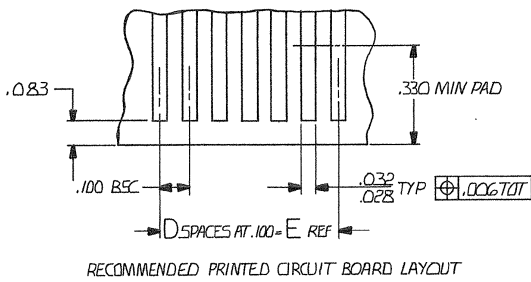
DRAWING MADE IN THIRD ANGLE PROJECTION

© COPYRIGHT 1979 BY AMP INCORPORATED, HARRISBURG, PA. ALL INTERNATIONAL RIGHTS RESERVED. AMP INCORPORATED PRODUCTS COVERED BY U. S. AND FOREIGN PATENTS AND/OR PATENTS PENDING.

UNPUBLISHED COPY NOT TO BE REPRODUCED OR PUBLISHED WITHOUT WRITTEN PERMISSION OF AMP INCORPORATED.

| REVISIONS | | | |
|-----------|-------------------|------|----------|
| REV | DESCRIPTION | DATE | APPROVED |
| D | SEE SHEET 1 OF 23 | | |

1. NUMBERS AND LINES INDICATING EVERY FIVE CAVITIES MOLDED OR MARKED ON MATING FACE.
2. AMP PART NUMBER DATE CODE, 00779 & MILITARY PART NUMBER MOLDED OR MARKED THIS AREA. SIDE OPTIONAL
3. MUST MEET ALL APPLICABLE REQUIREMENTS OF MIL-C-55302.
4. NUMBERS INDICATING EVERY FIVE CAVITIES MOLDED OR MARKED ON SIDE.
5. KEY POSITION IDENTIFICATION MOLDED ON SURFACES SHOWN.
6. USE EXTERNAL KEY NUMBER 530341-1 MATES WITH PART NUMBER 530339.
7. HOUSING MATERIAL: DIALLYL PHTHALATE COLOR: BLUE PER MIL-M-19 TYPE 50G-F.
8. CONTACT MATERIAL: BERYLLIUM COPPER OR COPPER-NICKEL-SILICONE .000050 GOLD OVER NICKEL, TIN LEAD ON TAILS



| | | | | | | | | | |
|----------------|---------------------------|-----|-------|----|-------|-------|-------|----------------|------------|
| M55302/27-229 | 71 | 148 | 6.900 | 69 | 7.165 | 7.565 | 7.855 | 140 | 1-530782-3 |
| M55302/27-228 | 68 | 134 | 6.600 | 66 | 6.865 | 7.265 | 7.555 | 134 | 1-530782-2 |
| M55302/27-227 | 66 | 132 | 6.400 | 64 | 6.665 | 7.065 | 7.355 | 130 | 1-530782-1 |
| M55302/27-226 | 61 | 126 | 5.900 | 59 | 6.165 | 6.565 | 6.855 | 120 | 1-530782-0 |
| M 55302/27-180 | 56 | 110 | 5.400 | 54 | 5.665 | 6.065 | 6.355 | 110 | 530782-9 |
| M 55302/27-179 | 51 | 100 | 4.900 | 49 | 5.165 | 5.565 | 5.855 | 100 | -8 |
| M 55302/27-178 | 46 | 90 | 4.400 | 44 | 4.665 | 5.065 | 5.355 | 90 | -7 |
| M 55302/27-177 | 41 | 80 | 3.900 | 39 | 4.165 | 4.565 | 4.855 | 80 | -6 |
| M 55302/27-176 | 36 | 70 | 3.400 | 34 | 3.665 | 4.065 | 4.355 | 70 | -5 |
| M 55302/27-175 | 31 | 60 | 2.900 | 29 | 3.165 | 3.565 | 3.855 | 60 | -4 |
| M 55302/27-174 | 26 | 50 | 2.400 | 24 | 2.665 | 3.065 | 3.355 | 50 | -3 |
| M 55302/27-173 | 21 | 40 | 1.900 | 19 | 2.165 | 2.565 | 2.855 | 40 | -2 |
| M 55302/27-172 | 16 | 30 | 1.400 | 14 | 1.665 | 2.065 | 2.355 | 30 | 530782-1 |
| M 55302 | CONTACT IDENTIFICATION NO | | | | | | | | |
| | | E | D | C | B | A | | NO OF CONTACTS | PART NO |

| | | | | |
|--|--------|-----------------------------------|--|--------------|
| UNLESS OTHERWISE SPECIFIED DIMENSIONS ARE IN INCHES. TOLERANCES ON: DECIMALS ANGLES ± .005 | | CONTRACT NO | AMP INCORPORATED Harrisburg, Pa. | |
| MATERIAL | FINISH | DR R. Williams 11-15-76 | NAME BOX CONNECTOR RECEPTACLE ASSY .100 GRID EXTERNAL KEYING | |
| | | CHR R. Williams 11-23-76 | SIZE CODE IDENT NO DRAWING NO | |
| | | APPD R. Williams 11-23-76 | C | 00779 |
| | | DSGN APPD R. Williams 11-29-76 | 530782 | |
| | | OTHER APPD | SCALE 4:1 | SHEET 2 OF 2 |

CUSTOMER DRAWING

530782

A