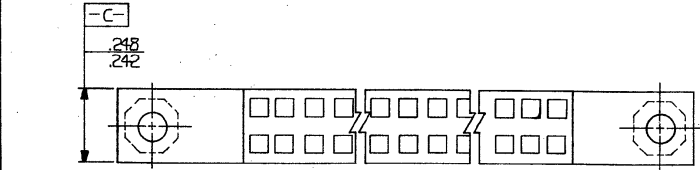
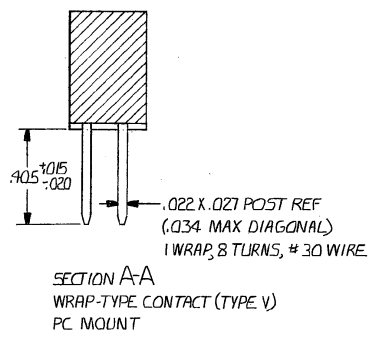
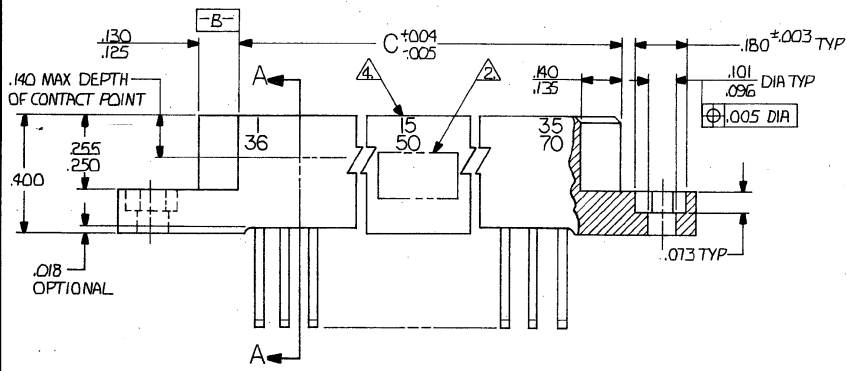
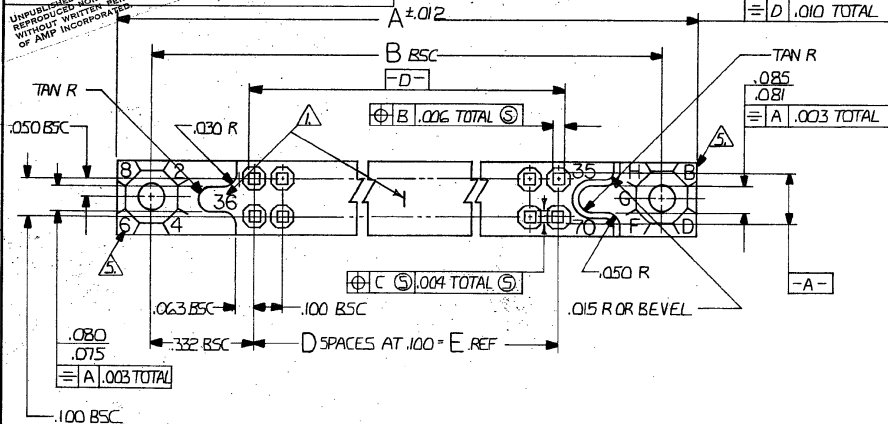


DRAWING MADE IN THIRD ANGLE PROJECTION

© COPYRIGHT 1976 BY AMP INCORPORATED, HARRISBURG, PA.
 ALL INFORMATION CONTAINED HEREIN IS UNCLASSIFIED EXCEPT WHERE SHOWN OTHERWISE. ALL RIGHTS RESERVED. AMP INCORPORATED PRODUCTS
 COVERED BY ONE OR MORE U.S. PATENTS AND/OR FOREIGN PATENTS AND/OR PATENTS PENDING.
 UNPUBLISHED INFORMATION REPRODUCED WITHOUT WRITTEN PERMISSION OF AMP INCORPORATED

1-00101ST
 DF FO

REVISIONS							
P	F	ZONE	LTR	DESCRIPTION	DATE	APPROVED	
		F		ECO-08-020831	PY	0-08	BW



UNLESS OTHERWISE SPECIFIED DIMENSIONS ARE IN INCHES. TOLERANCES ON: DECIMALS $\pm .005$ ANGLES	CONTRACT NO	AMP INCORPORATED Harrisburg, Pa.	PART NO
	DR <i>R. Williams</i> 11-12-76		NAME BOX CONNECTOR RECEPTACLE ASSY .100 GRID EXTERNAL KEYING
	MATERIAL	APPD <i>R. Williams</i> 11-23-76	SIZE CODE IDENT NO DRAWING NO C 00779 530781
	FINISH	APPD <i>R. Williams</i> 11-29-76	REV F
OTHER APPD		SCALE 4:1	SHEET 10FZ

CUSTOMER DRAWING

530781

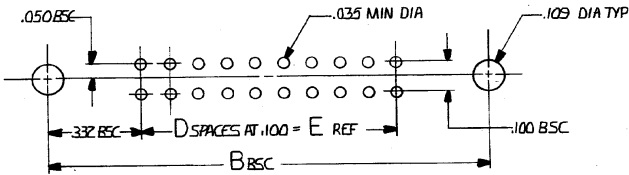
DRAWING MADE IN THIRD ANGLE PROJECTION

© COPYRIGHT 1976 AMP INCORPORATED, HARRISBURG, PA.
 ALL INTERNATIONAL RIGHTS RESERVED. AMP INCORPORATED PRODUCTS
 COVERED BY U.S. AND FOREIGN PATENTS AND/OR PATENTS PENDING.

UNLESS OTHERWISE SPECIFIED, ALL DIMENSIONS ARE IN INCHES.
 UNLESS OTHERWISE SPECIFIED, ALL DIMENSIONS ARE IN MILLIMETERS.
 UNLESS OTHERWISE SPECIFIED, ALL DIMENSIONS ARE IN MILLIMETERS.
 UNLESS OTHERWISE SPECIFIED, ALL DIMENSIONS ARE IN MILLIMETERS.

P	F	ZONE	LTR	REVISIONS	DATE	APPROVED
				DESCRIPTION		
SEE SHEET 1 OF 2						

- ▲ NUMBERS AND LINES INDICATING EVERY FIVE CAVITIES MARKED ON MATING FACE.
- ▲ AMP PART NUMBER DATE CODE, 00779 & MILITARY PART NUMBER MARKED IN THIS AREA SIDE OPTIONAL
- 3. MUST MEET ALL APPLICABLE REQUIREMENTS OF MIL-C-55302.
- ▲ NUMBERS INDICATING EVERY FIVE CAVITIES MARKED ON SIDE
- ▲ KEY POSITION IDENTIFICATION MOLDED ON SURFACES SHOWN.
- 6. USE EXTERNAL KEY NUMBER 530341-1 MATES WITH PART NUMBER 530339.
- ▲ HOUSING MATERIAL: DIALLYL PHTHALATE COLOR: BLUE PER MIL-M-14 TYPE SDG-F.
- ▲ CONTACT MATERIAL: BERYLLIUM COPPER .000050 GOLD OVER NICKEL.



RECOMMENDED PRINTED CIRCUIT BOARD LAYOUT

M55302/27-225	47	190 ⁸⁰	6.900	6.9	7.165	7.565	7.855	140	1-530781-3
M55302/27-224	68	130 ⁸⁷	6.600	6.6	6.865	7.265	7.555	134	1-530781-2
M55302/27-223	66	130 ⁸⁵	6.400	6.4	6.665	7.065	7.355	130	1-530781-1
M55302/27-222	61	120 ⁸⁰	5.900	5.9	6.165	6.565	6.855	120	1-530781-0
M 55302/27-171	56	110 ⁵⁹	5.400	5.4	5.665	6.065	6.355	110	530781-9
M 55302/27-170	151	100 ⁵⁰	4.900	4.9	5.165	5.565	5.855	100	8
M 55302/27-169	46	50 ⁴⁴	4.400	4.4	4.665	5.065	5.355	90	7
M 55302/27-168	41	80 ⁴⁰	3.900	3.9	4.165	4.565	4.855	80	6
M 55302/27-167	36	70 ³⁴	3.400	3.4	3.665	4.065	4.355	70	5
M 55302/27-166	31	60 ²⁸	2.900	2.9	3.165	3.565	3.855	60	4
M 55302/27-165	26	50 ²⁴	2.400	2.4	2.665	3.065	3.355	50	3
M 55302/27-164	21	40 ¹⁸	1.900	1.9	2.165	2.565	2.855	40	2
M 55302/27-163	16	30 ¹²	1.400	1.4	1.665	2.065	2.355	30	1-530781-1

UNLESS OTHERWISE SPECIFIED DIMENSIONS ARE IN INCHES. TOLERANCES ON: DECIMALS ±.005 ANGLES	CONTRACT NO DR Robert Wilson 11-15-76 OR R. Williams 11-23-76 APPD R. Williams 11-23-76 APPD J. G. Murphy 11-29-76 DSGN APPD	AMP INCORPORATED Harrisburg, Pa.
MATERIAL ▲▲	FINISH ▲	NAME BOX CONNECTOR RECEPTACLE ASSY 100GRID EXTERNAL KEYING
OTHER APPD	SCALE 4:1	SIZE CODE IDENT NO DRAWING NO C 00779 530781
		REV F
		SHEET 2 OF 2

CUSTOMER DRAWING

530781