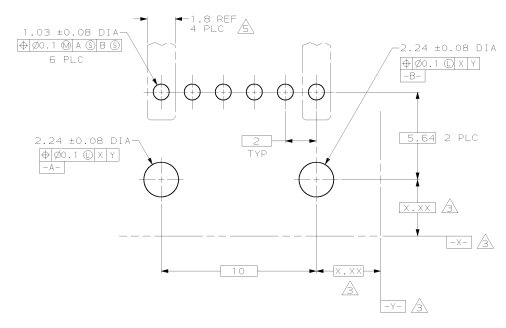
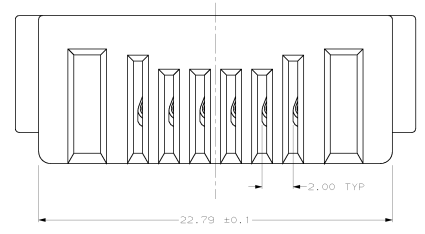
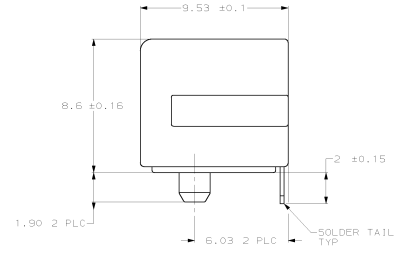
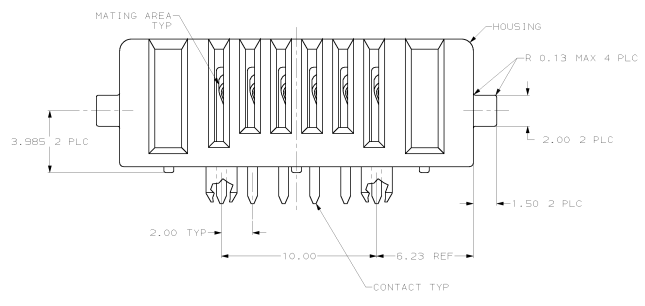


REVISED TO SPECIFICATIONS	REVISIONS FOR THE TOP OF THE
REVISED TO	REVISED TO

REV	DATE	DESCRIPTION	BY	CHK	APP
C	REV PER EC 0410-0189-96		JA	MS	JR
D	REV PER EC 0610-0036-99		JA	MS	CD
E	REV PER EC 0610-0056-99		JA	MS	CD



P.C. BOARD MOUNTING DIMENSIONS



- ▲ MATERIAL:
HOUSING- 5PS, UL 94V-0 RATED, BLACK.
CONTACTS- PHOSPHOR BRONZE.
- ▲ PLATING:
CONTACTS: .075µm MINIMUM GOLD OVER 0.76µm MINIMUM PALLADIUM NICKEL ON MATING AREA,
3.80µm MINIMUM TIN-LEAD ON SOLDER TAIL, ALL OVER 1.27 µm MINIMUM NICKEL.
- ▲ DATUMS AND BASIC DIMENSIONS ESTABLISHED BY CUSTOMER.
- ▲ RECOMMENDED PC BOARD THICKNESS OF 1.57.
- ▲ RECOMMENDED MINIMUM TRACE WIDTH FOR END POSITIONS
WHEN CARRYING 4 AMPS: 1.80 WIDE x 55µm THICK, BOTH SIDES.

787526-1
PART NUMBER

AMP Incorporated Worcester, MA 01710-3508	
RECEPTACLE ASSEMBLY, 6 POSITION, MDI	
PART NO: A1100779 REV: 001	QTY: 1 DATE: 10/1/99