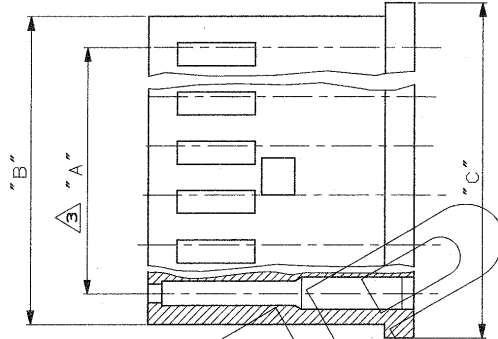
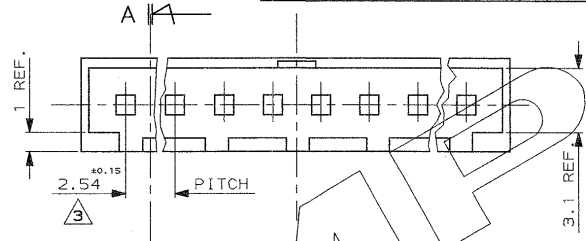
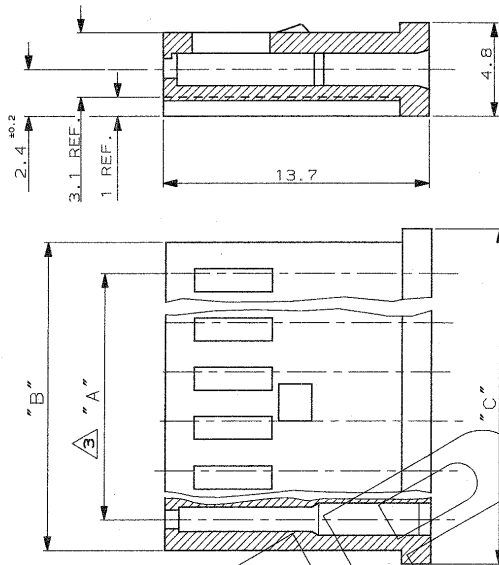


SEZ. A-A
(SECT. A-A)

SCALA NON IMPEGNATIVA
(DO NOT SCALE)
DIMENSIONI IN mm
DIMENSIONS IN mm

METRIC

PROIEZIONE EUROPEA
(EUROPEAN PROJECTION)



OBSOLETE	4	1-280359-0	7.62	10.6	12.2	2
OBSOLETE	2	1-280358-0	2.54	5.6	7.1	
	22	280364-0	53.34	56.4	57.9	A
	15	280363-0	35.56	38.6	40.1	
	12	280514-0	27.94	31	32.5	
	10	280362-0	22.86	25.9	27.4	
	9	280512-0	20.32	23.3	24.9	
	8	280361-0	17.78	20.8	22.3	
	6	280360-0	12.70	15.7	17.3	
	4	280359-0	7.62	10.6	12.2	
	2	280358-0	2.54	5.6	7.1	
N° POS.		PART NUMBER	DIM. "A"	DIM. "B"	DIM. "C"	

- 1 NORYL, UL94 V1, COLORE NERO
- 2 NORYL SE-1 COLORE ROSSO
- 3 TOLLERANZA NON CUMULATIVA
- 1 NORYL, UL94 V1, BLACK COLOUR
- 2 NORYL SE-1 RED COLOUR
- 3 NON CUMULATIVE TOLERANCE

CUSTOMER DRAWING FOR REFERENCE ONLY		DISEGNO PER CLIENTE SOLO PER RIFERIMENTO	
THIS DRAWING IS UNPUBLISHED. RELEASE FOR PUBLICATION 19			
© COPYRIGHT IS BY AMP INCORPORATED, HARRISBURG, PA. ALL INTERNATIONAL RIGHTS RESERVED. AMP PRODUCTS MAY BE COVERED BY U.S. AND FOREIGN PATENT AND/OR PATENT PENDING.			
TOLLERANZE: SE NON DI VERSAMENTE SPECIFICATO (TOLERANCES, UNLESS OTHERWISE SPECIFIED)		DIAM. ISOLANTE (INS. DIA. RANGED)	RANGO FILO (WIRE RANGED)
± 0.3		-	-
ANGOLI (ANGLES) ± 2°		SCALA (SCALE)	
AMP		AMP ITALIA S.p.A. Corso P. LLI Cervi, 15 COLLENO (TORINO)	
Y	REVISED NOTE 1 (ET00-0186-97)	C. D. 10/94	DIS. 11 APRIL '95
G	REVISED AND REDRAWN BY CAD ET00-0092-95	C. P. 10/95	DR. C. PIA
F	REVISED NOTE 1	C. H. 10/91	CONT. 11 APRIL '95
E	REVISED AND REDRAWN	E. B. 05/86	CHIC R. CANTORE
REV.	REVISIONI (REVISION RECORD)	DIS. DATA (DRS. DATE)	APP. (APP.)
DESCRIPTION (DESCRIPTION)		SINGLE ROW, CRIMP ON-SNAP IN	
LOC. SIZE NUMBER (LWS. NO.)		REV. 1	
IA3C-280358		F05L10 (SHEET) 01	

DISTRIBUTION: PRINT DIST.