

4

3

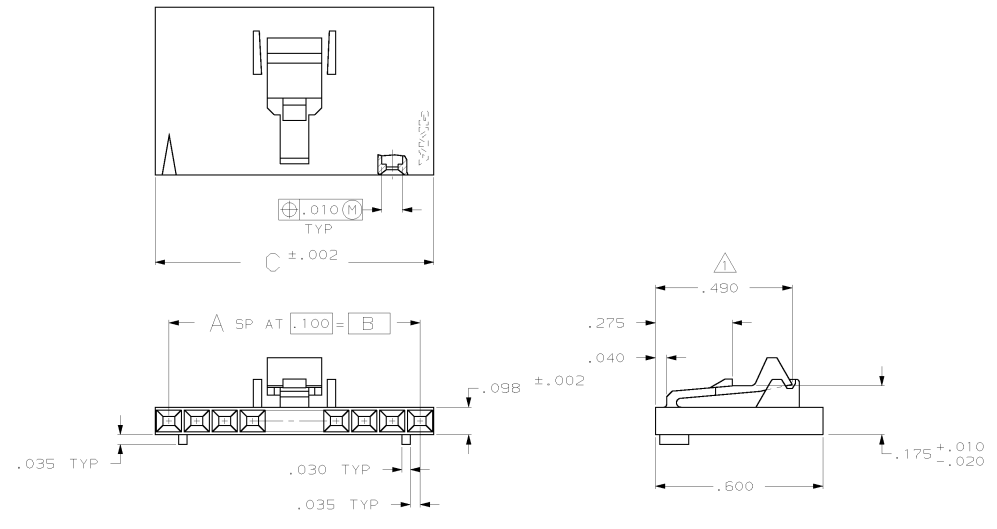
2

1

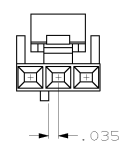
THIS DRAWING IS UNPUBLISHED.
 (C) COPYRIGHT 1988 BY AMP INCORPORATED. ALL RIGHTS RESERVED.

REV	DATE	DESCRIPTION	DATE	BY	APP'D
AD	39				
B		REV PER 0630-0367-04	16AUG04	BB	JG

THIS DIMENSION .480 FOR 2 POSN ONLY
 PRELIMINARY PART - NOT RELEASED FOR PRODUCTION.



.998	.900	9	10	104920-9
.898	.800	8	9	104920-8
.498	.400	4	5	104920-4
.398	.300	3	4	104920-3
.298	.200	2	3	104920-2



DETAIL FOR -2 ONLY
 (3 POSITION)

DIMENSIONS IN		DWG J. HERRINGTON 2-8-95	AMP Incorporated Harrisburg, PA 17105-3608
DIMENSIONS IN 0 PLC ±.005 1 PLC ±.005 2 PLC ±.005 3 PLC ±.005 4 PLC ±.005 5 PLC ±.005 6 PLC ±.005 7 PLC ±.005 8 PLC ±.005 9 PLC ±.005 10 PLC ±.005		CHK J. GEFORD 2-8-95	AMP
DIMENSIONS IN 0 PLC ±.005 1 PLC ±.005 2 PLC ±.005 3 PLC ±.005 4 PLC ±.005 5 PLC ±.005 6 PLC ±.005 7 PLC ±.005 8 PLC ±.005 9 PLC ±.005 10 PLC ±.005		NAME J. GEFORD 2-8-95	RECEPTACLE HOUSING, AMPMODU MTE, SINGLE ROW, .100 CL, POLARIZED WITH LATCH
MATERIAL FLAME RETARDANT POLYCARBONATE		PRODUCT SPEC 10B-25034 APPLICATION SPEC 114-25026 HEIGHT -	SIZE A2 100779 SCALE CODE C-104920 ORIENTING NO -
FINISH -		CUSTOMER DRAWINGS	SCALE 4:1 SHEET 1 OF 1 REV B