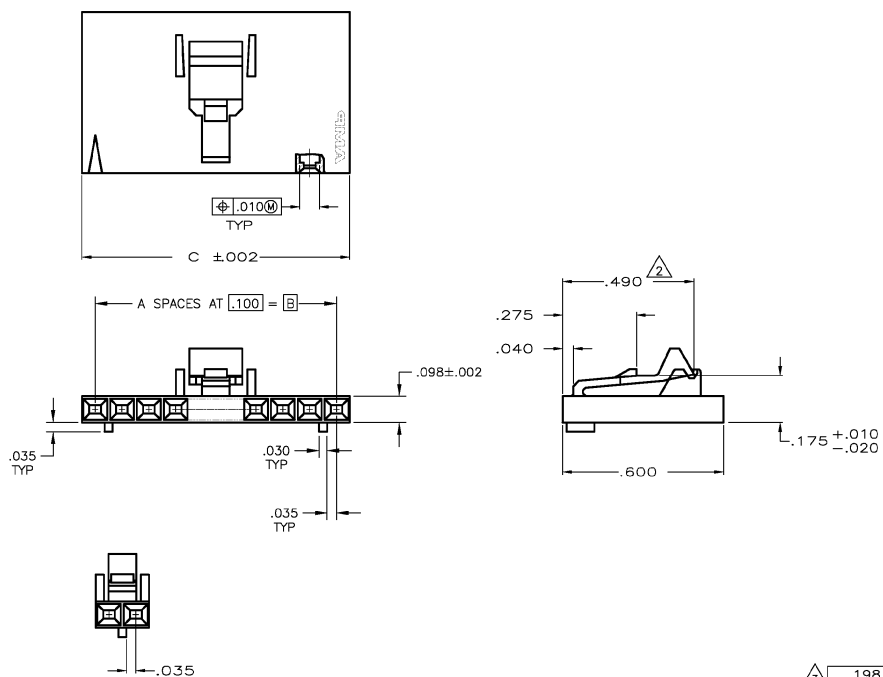


THIS DRAWING IS UNPUBLISHED. RELEASED FOR PUBLICATION
 © COPYRIGHT BY TYCO ELECTRONICS CORPORATION. ALL RIGHTS RESERVED.

LOC	DEF	REVISIONS					
		P	LM	DESCRIPTION	DATE	BY	APP
AD	39	B		REV PER EC 003C-0174-02	18JUL02	MB	JG



DETAIL FOR -5 ONLY
 (2 POSITION)

- 1 THERMOPLASTIC, FLAME RETARDANT, COLOR SEE TABLE
- 2 THIS DIMENSION .480 FOR 2 POSITION ONLY.
- 2 PRELIMINARY PART - NOT RELEASED FOR PRODUCTION.

.198	.100	1	2	BEIGE	147047-6
.198	.100	1	2	YELLOW	147047-5
.398	.300	3	4	YELLOW	147047-4
.398	.300	3	4	BLUE	147047-3
.398	.300	3	4	GREEN	147047-2
.398	.300	3	4	BEIGE	147047-1
C	B	A	NO OF POSN	COLOR	PART NUMBER

THIS DRAWING IS A CONTROLLED DOCUMENT.		DATE: 25SEP2001	AMP Tyco Electronics Corporation Harrisburg, PA 17105	
DIMENSIONS:	DESIGNED BY: G. J. VISION	DATE: 20 MAR 98	RECEPTACLE HOUSING, AMPMODU MTE, SINGLE ROW, .100CL, POLARIZED WITH LATCH	
INCHES:	DRAWN BY: J. GIESFORD	DATE: 20 MAR 98	SIZE: A2	DATE CODE: 00779
0 P.L.C. # -	APPROVED BY: J. GIESFORD	DATE: 20 MAR 98	DRAWING NO: C-147047	RESTRICTED TO: -
1 P.L.C. # -	PRODUCT SPEC: 108-25034			
2 P.L.C. # -	APPLICATION SPEC: 114-25026			
3 P.L.C. # .005	WEIGHT: -			
4 P.L.C. # -	CUSTOMER DRAWING		SCALE: 4:1	SHEET: 1 OF 1
ANGLES: # -				REV: B
FINISH: -				