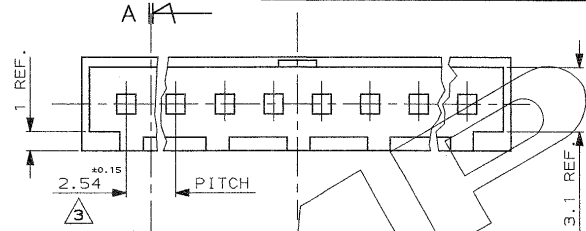
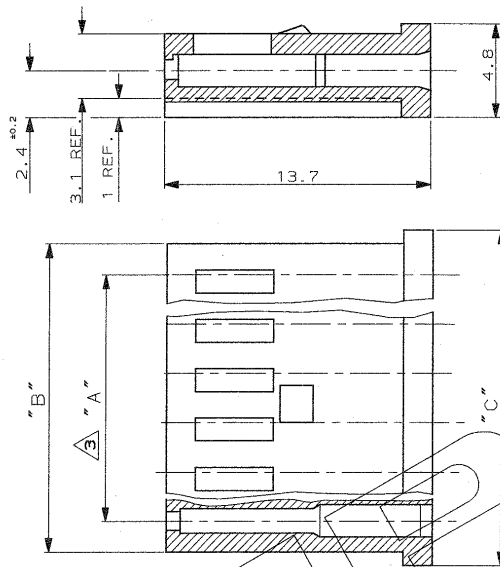


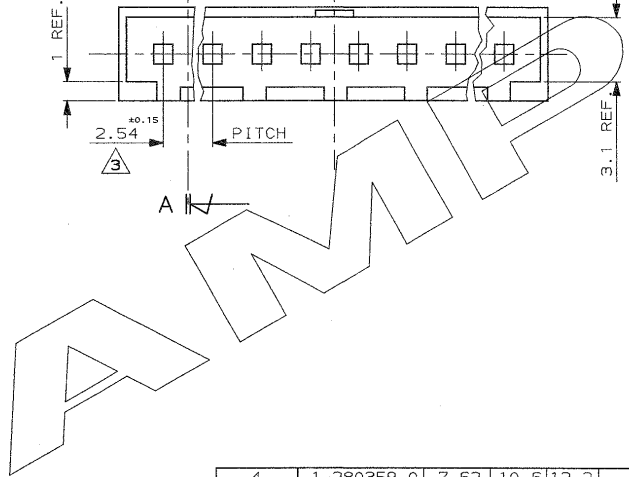
SEZ. A-A  
(SECT. A-A)



SCALA NON INFORMATIVA  
(DO NOT SCALE)  
DIMENSIONI IN  
DIMENSIONS IN mm

**METRIC**

PROIEZIONE EUROPEA  
(EUROPEAN PROJECTION)



- ① NORYL, UL94 V1, COLORE NERO      ① NORYL, UL94 V1, BLACK COLOUR
- ② NORYL SE-1 COLORE ROSSO          ② NORYL SE-1 RED COLOUR
- ③ TOLLERANZA NON CUMULATIVA      ③ NON CUMULATIVE TOLERANCE

N° POS.	PART NUMBER	DIM. "A"	DIM. "B"	DIM. "C"	MATERIAL (SEE NOTE)
4	1-280359-0	7.62	10.6	12.2	②
2	1-280358-0	2.54	5.6	7.1	
22	280364-0	53.34	56.4	57.9	①
15	280363-0	35.56	38.6	40.1	
12	280514-0	27.94	31	32.5	
10	280362-0	22.86	25.9	27.4	
9	280512-0	20.32	23.3	24.9	
8	280361-0	17.78	20.8	22.3	
6	280360-0	12.70	15.7	17.3	
4	280359-0	7.62	10.6	12.2	
2	280358-0	2.54	5.6	7.1	

CUSTOMER DRAWING FOR REFERENCE ONLY		DISEGNO PER CLIENTE SOLO PER RIFERIMENTO	
THIS DRAWING IS UNPUBLISHED. RELEASE FOR PUBLICATION IS BY AMP INCORPORATED, HARRISBURG, PA. ALL INTERNATIONAL RIGHTS RESERVED. AMP PRODUCTS MAY BE COVERED BY U.S. AND FOREIGN PATENT AND/OR PATENT PENDING.			
TOLLERANZE, SE NON DIVERSAMENTE SPECIFICATO (TOLERANCES, UNLESS OTHERWISE SPECIFIED)		DIAM. ISOLANTE (INS. DIA. RANGED)	SCALA (SCALE)
± 0.3			
ANGOLI (ANGLES)			
± 2°			
Y1 REVISED PER ECO-10-000445 KK JAN10 Y REVISED NOTE 1 (ET00-0189-97) C.P. 10-95 G REVISED AND REDRAWN BY CAD ET00-0092-95 C.P. 10-95 F REVISED NOTE 1 C.H. 10-91 E REVISED AND REDRAWN E.B. 86-86		AMP AMP ITALIA S.p.A. Corso P. Lli Cervi, 15 COLLENO (TORINO)	
CONT. 11 APRIL '95 R. CANTORE REV. REVISIONI (REVISION RECORD) DIS. DATA (Dwg. DATE)		DESCRIZIONE (DESCRIPTION) AMPMODU II REC. HSG SINGLE ROW, CRIMP ON-SNAP IN LOC. SIZE NUMERO (LWB NO) REV. FOLIO (SHEET) DI 1	
		IAC - 280358 Y1 1	

DISTRIBUTION: PRINT DIST.