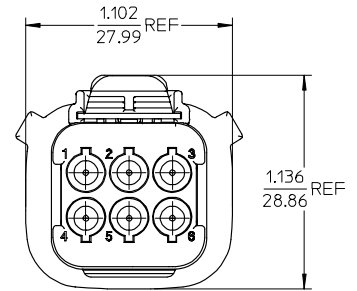
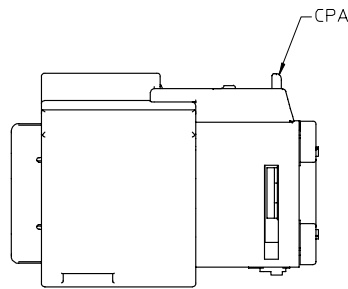
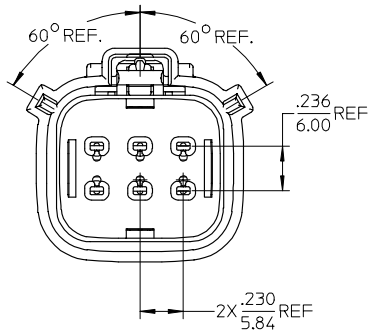
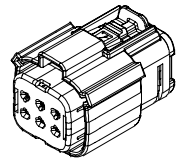


194180021	16-14	NO
194180020	22-18	
194180010	16-14	YES
194180011	22-18	
MATERIAL NUMBER	UL WIRE AWG	CPA



NOTES:

- MATERIALS:  
HOUSING: POLYESTER (PBT), GLASS FILLED, UL94 V-0,  
COLOR: BLACK.  
SEALS: SILICONE RUBBER.
- PRODUCT SPECIFICATION: PS-19417-001.
- PACKAGING SPECIFICATION: PK-19418-001.
- MATES WITH: 19419 SERIES PLUG ASSEMBLIES.
- USE CONNECTOR WITH FEMALE CRIMP TERMINAL SERIES 19420.

REVISIONS REV. DESCRIPTION B1	QUALITY SYMBOLS ▽=0 ▽=0	GENERAL TOLERANCES (UNLESS SPECIFIED)	DIMENSION STYLE IN/MM	SCALE 1:1	DESIGN UNITS INCH	THIRD ANGLE PROJECTION																																			
	<table border="1"> <thead> <tr> <th></th> <th>mm</th> <th>INCH</th> </tr> </thead> <tbody> <tr> <td>4 PLACES</td> <td>± .015</td> <td>± .0005</td> </tr> <tr> <td>3 PLACES</td> <td>± .030</td> <td>± .0012</td> </tr> <tr> <td>2 PLACES</td> <td>± 0.38</td> <td>± .015</td> </tr> <tr> <td>1 PLACE</td> <td>± .76</td> <td>± .030</td> </tr> </tbody> </table>		mm	INCH	4 PLACES	± .015	± .0005	3 PLACES	± .030	± .0012	2 PLACES	± 0.38	± .015	1 PLACE	± .76	± .030	<table border="1"> <tr> <td>DRAWN BY</td> <td>DATE</td> <td>TITLE</td> </tr> <tr> <td>BRUPERT</td> <td>01/20/03</td> <td>6 WAY RECEPTACLE ASSEMBLY, KEY A POLARIZATION</td> </tr> <tr> <td>CHECKED BY</td> <td>DATE</td> <td></td> </tr> <tr> <td>JPAWLICKI</td> <td>01/23/03</td> <td></td> </tr> <tr> <td>APPROVED BY</td> <td>DATE</td> <td></td> </tr> <tr> <td>RDEROSS</td> <td>01/25/03</td> <td></td> </tr> </table>	DRAWN BY	DATE	TITLE	BRUPERT	01/20/03	6 WAY RECEPTACLE ASSEMBLY, KEY A POLARIZATION	CHECKED BY	DATE		JPAWLICKI	01/23/03		APPROVED BY	DATE		RDEROSS	01/25/03		<table border="1"> <tr> <td>MATERIAL NO.</td> <td>DOCUMENT NO.</td> <td>SHEET NO.</td> </tr> <tr> <td>SEE CHART</td> <td>SD-19418-004</td> <td>1 OF 1</td> </tr> </table>	MATERIAL NO.	DOCUMENT NO.	SHEET NO.	SEE CHART	SD-19418-004
	mm	INCH																																							
4 PLACES	± .015	± .0005																																							
3 PLACES	± .030	± .0012																																							
2 PLACES	± 0.38	± .015																																							
1 PLACE	± .76	± .030																																							
DRAWN BY	DATE	TITLE																																							
BRUPERT	01/20/03	6 WAY RECEPTACLE ASSEMBLY, KEY A POLARIZATION																																							
CHECKED BY	DATE																																								
JPAWLICKI	01/23/03																																								
APPROVED BY	DATE																																								
RDEROSS	01/25/03																																								
MATERIAL NO.	DOCUMENT NO.	SHEET NO.																																							
SEE CHART	SD-19418-004	1 OF 1																																							
<p>DRAFT WHERE APPLICABLE MUST REMAIN WITHIN DIMENSIONS</p> <p>THIS DRAWING CONTAINS INFORMATION THAT IS PROPRIETARY TO MOLEX INCORPORATED AND SHOULD NOT BE USED WITHOUT WRITTEN PERMISSION</p>																																									