

CIRCUIT SIZE	DIM. 'A'	DIM. 'B'	DIM. 'C'	DIM. 'D'
6	.54 (13.8)	.33 (8.4)	.807 (20.50)	.945 (24.00)
8	.71 (18.0)	.50 (12.6)	.972 (24.70)	1.110 (28.20)
10	.87 (22.2)	.66 (16.8)	1.138 (28.90)	1.276 (32.40)
12	1.04 (26.4)	.83 (21.0)	1.303 (33.10)	1.441 (36.60)
14	1.20 (30.6)	.99 (25.2)	1.469 (37.30)	1.606 (40.80)
16	1.37 (34.8)	1.16 (29.4)	1.643 (41.50)	1.772 (45.00)
18	1.54 (39.0)	1.32 (33.2)	1.799 (45.70)	1.937 (49.20)
20	1.70 (43.2)	1.49 (37.8)	1.965 (49.90)	2.102 (53.40)
22	1.87 (47.4)	1.65 (42.0)	2.130 (54.10)	2.268 (57.60)
24	2.03 (51.6)	1.82 (46.2)	2.295 (58.30)	2.433 (61.80)

- NOTES:**
- MATERIAL:**
    - 1 = NYLON (PA6/6), UNFILLED, UL94 V-2, COLOR: NATURAL
    - 2 = NYLON (PA6/6), UNFILLED, UL94 V-0, COLOR: NATURAL
    - 3 = NYLON (PA6/6), UNFILLED, UL94 V-2, COLOR: BLACK
    - 4 = NYLON (PA6/6), UNFILLED, UL94 V-0, COLOR: BLACK
  - FINISH NOT APPLICABLE.
  - THIS PART CONFORMS TO MOLEX PRODUCT SPEC. NO. PS-5556-002.
  - PACKAGING: PK-42474-001
  - 6-24 CKT. PARTS MATE WITH MOLEX RECEPTACLES 5557, 42385 AND 42474. 2 AND 4 CKT. PARTS MATE WITH 42385 AND 42474 ONLY.
  - PART IS FOR USE WITH MALE TERMINAL \*5558.
  - PART ALLOWS FOR UP TO .100(2.54) MISALIGNMENT WITH MATING RECEPTACLE IN ANY DIRECTION. SEE MATING CONNECTOR DRAWINGS FOR SPECIFIC ALLOWANCES.
  - PANEL CUT-OUT TO BE PUNCHED IN THE SAME DIRECTION AS CONNECTOR INSERTION.
  - PARTS MANUFACTURED AFTER 05/12/31 MAY HAVE MOUNTING EAR DESIGN "B". PARTS WITH MOUNTING EAR DESIGN "A" WILL BE OBSOLETE AS TOOL LIFE DICTATES. IN SOME CASES, PARTS MAY BE AVAILABLE WITH BOTH MOUNTING EAR DESIGNS. SEE CHART ON SHEET 4 FOR SPECIFIC EAR DESIGN AVAILABILITY.

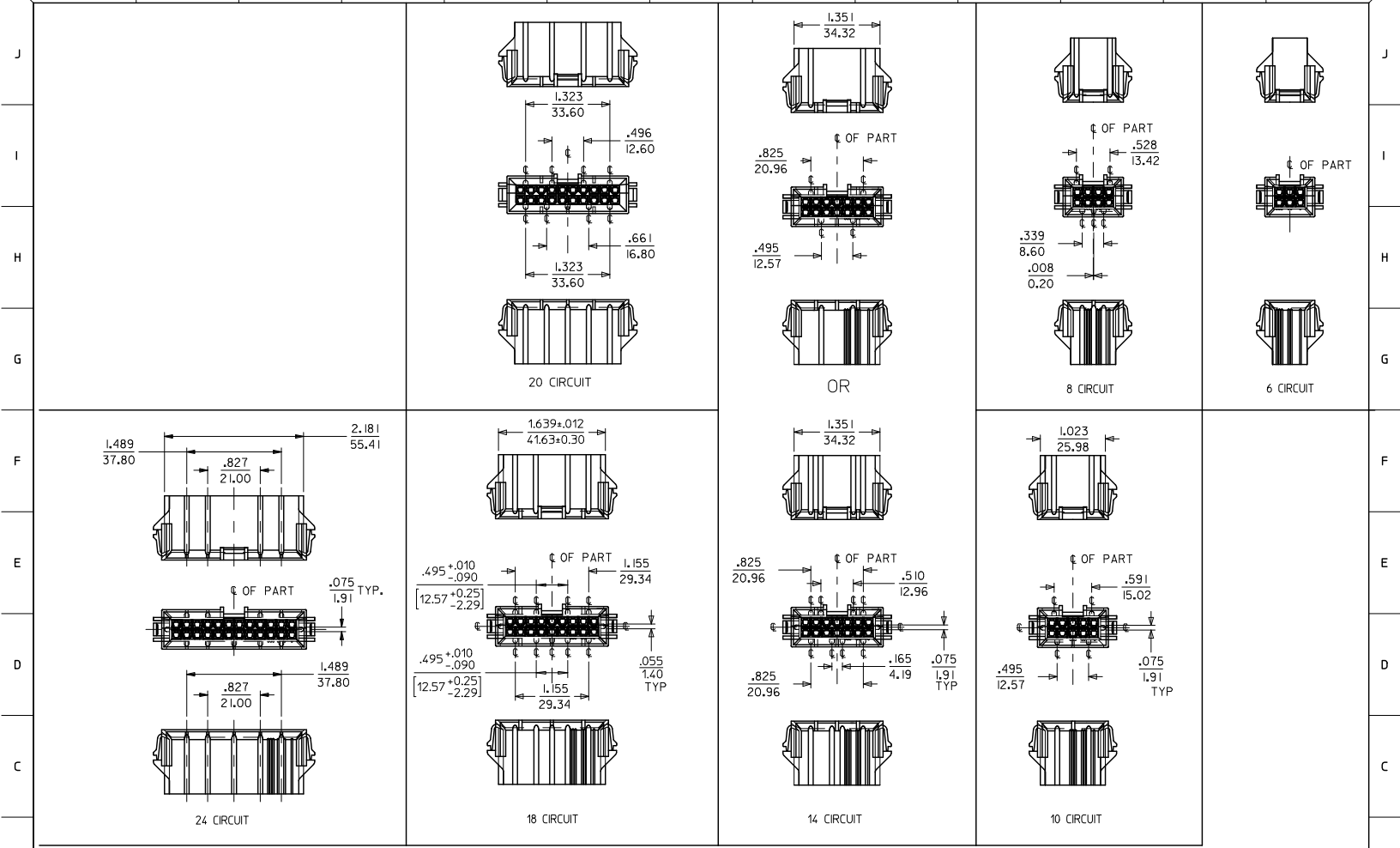
- FOR MANUFACTURING EASE PARTS MAY HAVE OPTIONAL EJECTOR RIBS. SEE SHT. 3 FOR LOCATION.
- DIMENSION DOES NOT INCLUDE EJECTOR RIBS (SEE PAGE \*3 FOR PARTS WITH RIBS, RIB DIMENSIONS AND LOCATION).
- IF THIS PRODUCT IS STORED IN AN ENVIRONMENT WITH A RELATIVE HUMIDITY OF LESS THAN 50%, MOISTURE MUST BE ADDED. REFER TO TECHNICAL ADVISORY AS-45499-001 FOR INSTRUCTIONS.
- INTERIOR RIB LOCATION MAY VARY.

- CONNECTOR ASSEMBLIES ARE NOT TO BE MATED OR UNMATED WHILE CIRCUITS ARE LIVE.
- WIRES ARE TO BE DRESSED IN SUCH A MANNER TO ALLOW THE TERMINALS TO FLOAT FREELY IN THE POCKET.
- PART CONFORMS TO CLASS 'B' REQUIREMENTS OF COSMETIC SPECIFICATION PS-45499-022.

SEE SHEET 2 FOR 2 & 4 CKT. PARTS

<b>CORRECT 13.46 DIM</b> EC NO. UCP201-1131 DRAWN: JAGUILAR 2010/10/20 CHKD: BELL 2010/10/20 APPROV: SMITH 2010/10/25	QUALITY SYMBOLS	GENERAL TOLERANCES (UNLESS SPECIFIED)	DIMENSION STYLE	SCALE	DESIGN UNITS	THIRD ANGLE PROJECTION
	DESCRIPTION	mm INCH	IN/MM	4:1	METRIC	
	REVISION	4 PLACES ±.005 ±.010	DRAWN BY: GEP DATE: 1989/07/18	TITLE: PLUG HOUSING B.M.I. 2-24 CIRCUITS MINI-FIT SERIES		
		3 PLACES ±.025 ±.015	CHECKED BY: RJF DATE: 1989/07/18	MATERIAL NO. SD-42475-***1	MATERIAL NO. SD-42475-***1	SHEET NO. 1 OF 4
	2 PLACES ±0.38 ±.015	APPROVED BY: FSMITH DATE: 2010/10/25	SIZE C	THIS DRAWING CONTAINS INFORMATION THAT IS PROPRIETARY TO MOLEX INCORPORATED AND SHOULD NOT BE USED WITHOUT WRITTEN PERMISSION		
	1 PLACE ±0.38 ±.015	ANGULAR ±1/2°				

13 12 11 10 9 8 7 6 5 4 3 2 1



**NOTES:**

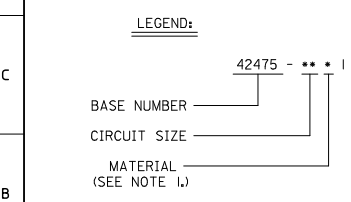
1) DIMENSIONS GIVEN ACROSS CENTERLINES ARE SYMMETRICAL ABOUT THOSE CENTERLINES WITHIN HALF THE TOTAL TOLERANCE.

<p>SEE SHEET 1131</p> <p>LC NO. UC20M1131</p> <p>DRWN: JAGUILAR 2010/10/20</p> <p>CHKD: BELL 2010/10/20</p> <p>APPR: SMITH 2010/10/25</p> <p>REV</p>	<p>QUALITY SYMBOLS</p> <p>▽ = 0</p> <p>▽ = 0</p> <p>▽ = 0</p>	<p>GENERAL TOLERANCES (UNLESS SPECIFIED)</p> <table border="1"> <tr> <th></th> <th>mm</th> <th>INCH</th> </tr> <tr> <td>4 PLACES</td> <td>± .15</td> <td>± .005</td> </tr> <tr> <td>3 PLACES</td> <td>± .10</td> <td>± .004</td> </tr> <tr> <td>2 PLACES</td> <td>± .075</td> <td>± .003</td> </tr> <tr> <td>1 PLACE</td> <td>± .05</td> <td>± .002</td> </tr> </table> <p>ANGULAR ± 1/2°</p>		mm	INCH	4 PLACES	± .15	± .005	3 PLACES	± .10	± .004	2 PLACES	± .075	± .003	1 PLACE	± .05	± .002	<p>DIMENSION STYLE</p> <p>IN/MM</p> <p>DRAWN BY: CM DATE: 1998/04/16</p> <p>CHECKED BY: MAB DATE: 1998/04/16</p> <p>APPROVED BY: FSMITH DATE: 2010/10/25</p> <p>MATERIAL NO.:</p> <p>SIZE: C</p>	<p>SCALE: ---</p> <p>DESIGN UNITS: METRIC</p> <p>THIRD ANGLE PROJECTION</p>	<p>TITLE: PLUG HOUSING B.M.I 2-24 CIRCUITS MINI-FIT SERIES</p> <p>MOLEX INCORPORATED</p> <p>DOCUMENT NO. SD-42475-***1</p> <p>SHEET NO. 3 OF 4</p>
		mm	INCH																	
	4 PLACES	± .15	± .005																	
	3 PLACES	± .10	± .004																	
2 PLACES	± .075	± .003																		
1 PLACE	± .05	± .002																		
<p>DRAFT WHERE APPLICABLE MUST REMAIN WITHIN DIMENSIONS</p>		<p>SEE SHEET 4</p>		<p>THIS DRAWING CONTAINS INFORMATION THAT IS PROPRIETARY TO MOLEX INCORPORATED AND SHOULD NOT BE USED WITHOUT WRITTEN PERMISSION</p>																

12 11 10 9 8 7 6 5 4 3 2 1

13				12				11				10				9				8				7				6				5				4				3				2				1			
PART NUMBER	ENG. NUMBER	CKT. SIZE	MATERIAL (SEE NOTE 1.)	PART NUMBER	CKT. SIZE	MATERIAL (SEE NOTE 1.)	MOUNTING EAR TYPE		42475-**21, 5558-GS*	42474-**21, 5556-PBGS*P	94V-0	PHOS. BRZ.	GOLD																																						
							CKT. SIZE	DESIGN A, DESIGN B (SEE SHEET I)																																											
NOT TOOLED	42475-0211	2	I	NOT TOOLED	2	3																																													
15-06-0045	42475-0411	4		42475-0431	4		2	N/A																																											
15-06-0065	42475-0611	6		42475-0631	6		4	B																																											
15-06-0085	42475-0811	8		42475-0831	8		6	B																																											
15-06-0105	42475-1011	10		42475-1031	10		8	A																																											
NOT TOOLED	42475-1211	12		NOT TOOLED	12		10	B																																											
15-06-0145	42475-1411	14		42475-1431	14		12	N/A																																											
NOT TOOLED	42475-1611	16		NOT TOOLED	16		14	B																																											
15-06-0185	42475-1811	18		42475-1831	18		16	N/A																																											
15-06-0205	42475-2011	20		42475-2031	20		18	A & B																																											
NOT TOOLED	42475-2211	22		NOT TOOLED	22		20	A																																											
15-06-0245	42475-2411	24	I	42475-2431	24	3	22	N/A																																											
							24	B																																											

PLUG HOUSING/ MALE TERMINAL	MATING CONNECTOR	HSG. MAT'L. MATING CONNECTOR FEATURES	TERM. MAT'L.	PLATING



<b>ADD -0641</b> EC NO. UCP2010-3048 DRWN: JAGUILAR 2010/05/28 CHKD: BELL 2010/05/28 APPR: SMITH 2010/06/11	QUALITY SYMBOLS	GENERAL TOLERANCES (UNLESS SPECIFIED)	DIMENSION STYLE	SCALE	DESIGN UNITS	THIRD ANGLE PROJECTION	
	$\nabla = 0$ $\nabla = 0$ $\nabla = 0$	mm      INCH 4 PLACES ± --- ± --- 3 PLACES ± --- ± .010 2 PLACES ± 0.25 ± .015 1 PLACE ± 0.38 ± --- ANGULAR ± 1/2°	IN/MM DRAWN BY      DATE GEP              1989/07/18 CHECKED BY    DATE RJF              1989/07/18 APPROVED BY    DATE RAS              1989/07/18	TITLE PLUG HOUSING B.M.I. 2-24 CIRCUITS, MINI-FIT SERIES	--- ---	METRIC	
	MATERIAL NO.      DOCUMENT NO. SEE CHART            SD-42475-***1	DRAFT WHERE APPLICABLE MUST REMAIN WITHIN DIMENSIONS	THIS DRAWING CONTAINS INFORMATION THAT IS PROPRIETARY TO MOLEX INCORPORATED AND SHOULD NOT BE USED WITHOUT WRITTEN PERMISSION	MOLEX INCORPORATED	SHEET NO. 4 OF 4		
	SIZE C						