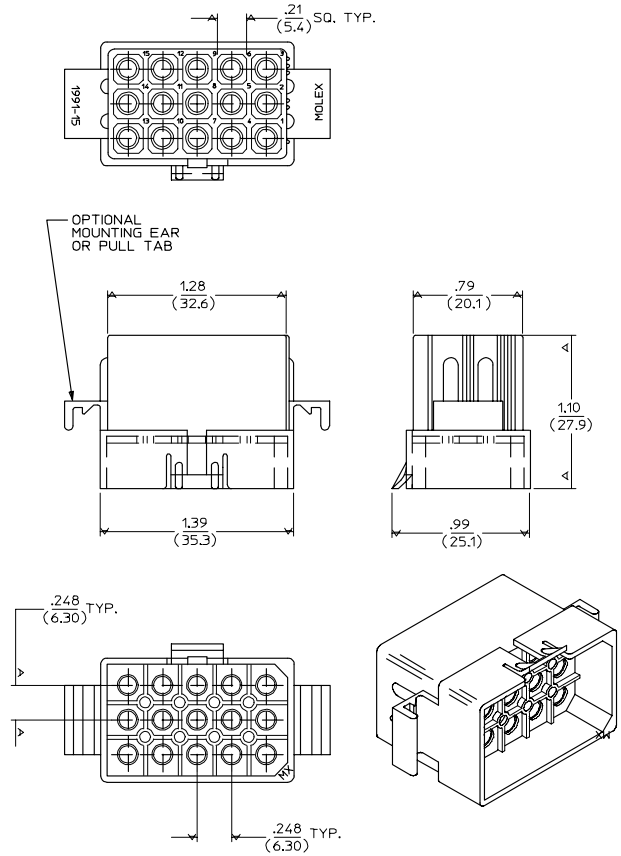
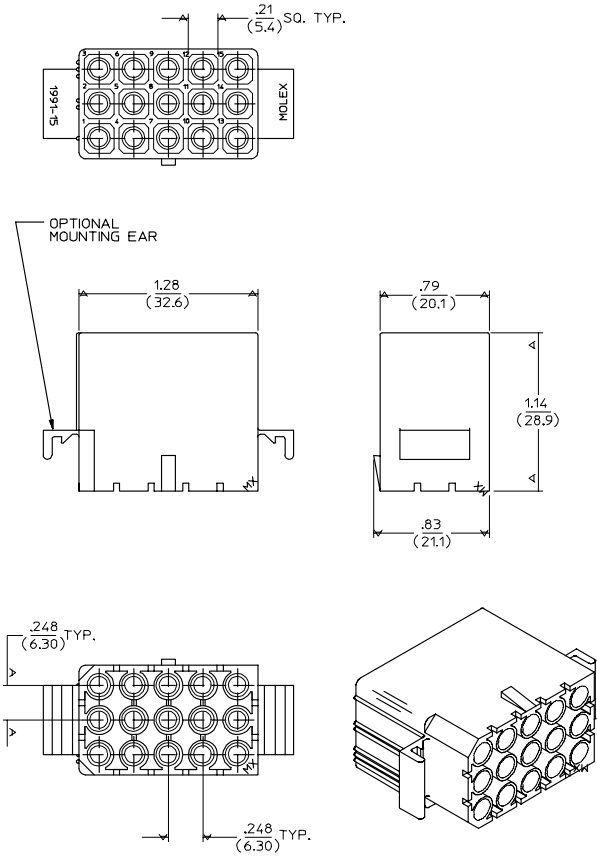


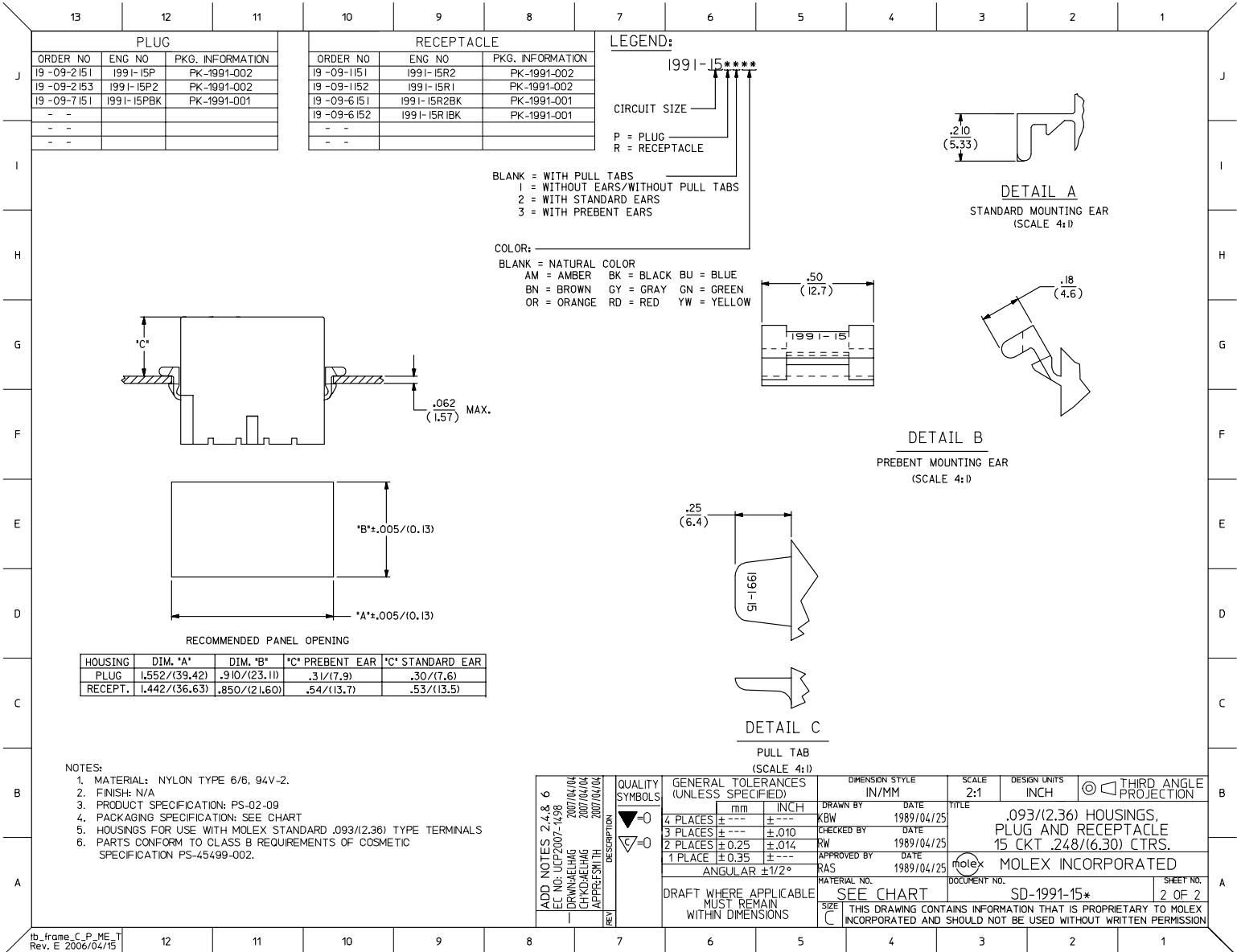
RECEPTACLE

PLUG



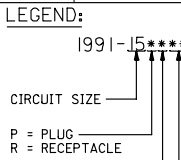
UPDATE TITLE BLOCK EC NO. UCP2007-1498 DRW:JELHAG 2007/04/04 CHK:JELHAG 2007/04/04 APP:RSMITH 2007/04/04	QUALITY SYMBOLS	GENERAL TOLERANCES (UNLESS SPECIFIED) 4 PLACES ±.000 ±.010 3 PLACES ±.005 ±.010 2 PLACES ±.025 ±.014 1 PLACE ±.035 ±.014 ANGULAR ±1/2°	DIMENSION STYLE	SCALE	DESIGN UNITS	THIRD ANGLE PROJECTION
	▽=0		IN/MM	2:1	INCH	☉
	▽=0		DRAWN BY	DATE	TITLE	
	▽=0		DATE	DATE		
			APPROVED BY	DATE	MOLEX INCORPORATED	
			RAS	1989/04/25	MOLEX INCORPORATED	
			MATERIAL NO.	DOCUMENT NO.	SD-1991-15*	
			SEE CHART		1 OF 2	
			THIS DRAWING CONTAINS INFORMATION THAT IS PROPRIETARY TO MOLEX INCORPORATED AND SHOULD NOT BE USED WITHOUT WRITTEN PERMISSION			

2	I
1	I
SHT. REV.	



PLUG		
ORDER NO	ENG NO	PKG. INFORMATION
19-09-2151	1991-15P	PK-1991-002
19-09-2153	1991-15P2	PK-1991-002
19-09-7151	1991-15PBK	PK-1991-001
-	-	-
-	-	-
-	-	-

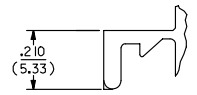
RECEPTACLE		
ORDER NO	ENG NO	PKG. INFORMATION
19-09-1151	1991-15R2	PK-1991-002
19-09-1152	1991-15R1	PK-1991-002
19-09-6151	1991-15R2BK	PK-1991-001
19-09-6152	1991-15R1BK	PK-1991-001
-	-	-
-	-	-
-	-	-



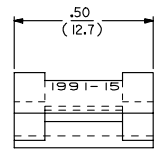
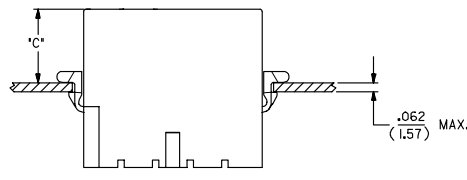
BLANK = WITH PULL TABS
 1 = WITHOUT EARS/WITHOUT PULL TABS
 2 = WITH STANDARD EARS
 3 = WITH PREBENT EARS

COLOR:

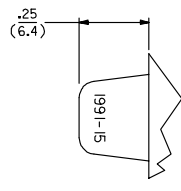
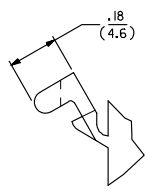
BLANK = NATURAL COLOR
 AM = AMBER BK = BLACK BU = BLUE
 BN = BROWN GY = GRAY GN = GREEN
 OR = ORANGE RD = RED YW = YELLOW



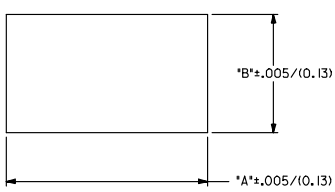
DETAIL A
STANDARD MOUNTING EAR
(SCALE 4:1)



DETAIL B
PREBENT MOUNTING EAR
(SCALE 4:1)



DETAIL C
PULL TAB
(SCALE 4:1)



RECOMMENDED PANEL OPENING

HOUSING	DIM. 'A'	DIM. 'B'	*C' PREBENT EAR	*C' STANDARD EAR
PLUG	1.552/(39.42)	.910/(23.11)	.31/(7.9)	.30/(7.6)
RECEPT.	1.442/(36.63)	.850/(21.60)	.54/(13.7)	.53/(13.5)

- NOTES:**
- MATERIAL: NYLON TYPE 6/6, 94V-2.
 - FINISH: N/A
 - PRODUCT SPECIFICATION: PS-02-09
 - PACKAGING SPECIFICATION: SEE CHART
 - HOUSINGS FOR USE WITH MOLEX STANDARD .093/(2.36) TYPE TERMINALS
 - PARTS CONFORM TO CLASS B REQUIREMENTS OF COSMETIC SPECIFICATION PS-45499-002.

ADD NOTES 2,4 & 6 EC NO: UCP2007-1498 DRW: BELHAG 2007/04/04 CHK: BELHAG 2007/04/04 APPR: SMITH 2007/04/04	QUALITY SYMBOLS ▽=0 ▽=0	GENERAL TOLERANCES (UNLESS SPECIFIED) <table border="1"> <tr> <th></th> <th>mm</th> <th>INCH</th> </tr> <tr> <td>4 PLACES</td> <td>±.005</td> <td>±.0002</td> </tr> <tr> <td>3 PLACES</td> <td>±.010</td> <td>±.0004</td> </tr> <tr> <td>2 PLACES</td> <td>±.025</td> <td>±.0010</td> </tr> <tr> <td>1 PLACE</td> <td>±.035</td> <td>±.0014</td> </tr> </table>		mm	INCH	4 PLACES	±.005	±.0002	3 PLACES	±.010	±.0004	2 PLACES	±.025	±.0010	1 PLACE	±.035	±.0014	DIMENSION STYLE IN/MM	SCALE 2:1	DESIGN UNITS INCH	<input checked="" type="checkbox"/> THIRD ANGLE PROJECTION
				mm	INCH																
4 PLACES	±.005	±.0002																			
3 PLACES	±.010	±.0004																			
2 PLACES	±.025	±.0010																			
1 PLACE	±.035	±.0014																			
DRAFT WHERE APPLICABLE MUST REMAIN WITHIN DIMENSIONS	MATERIAL NO. SEE CHART	DATE 1989/04/25	DATE 1989/04/25	DATE 1989/04/25	DATE 1989/04/25	DATE 1989/04/25															

TITLE
 .093/(2.36) HOUSINGS,
 PLUG AND RECEPTACLE
 15 CKT .248/(6.30) CTRS.
 MOLEX INCORPORATED

MATERIAL NO. SD-1991-15*
 DOCUMENT NO.
 SHEET NO. 2 OF 2