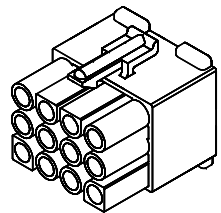
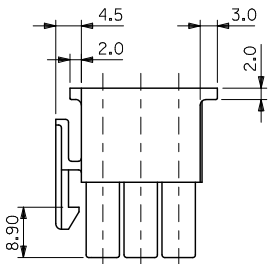
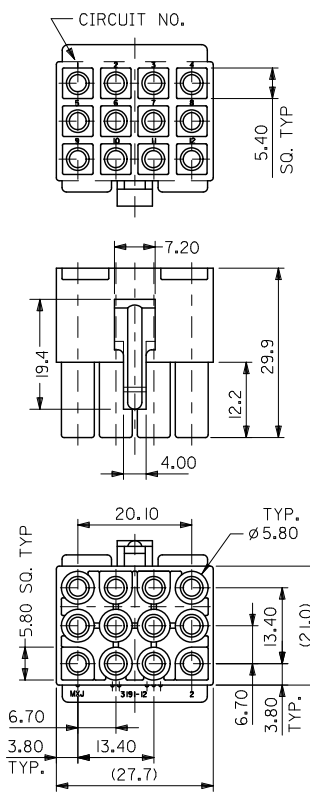


10 9 8 7 6 5 4 3 2 1



- NOTES:
1. MATERIAL: SEE TABLE
  2. FINISH: NONE
  3. PRODUCT SPECIFICATION: PS-02-09
  4. PACKAGING SPECIFICATION: PK-3191-001
  5. PARTS CONFORM TO MOLEX COSMETIC SPECIFICATION PS-45499-002 CLASS B.
  6. DIMENSIONS IN ( ) ARE REFERENCE
  7. HOUSING TO BE USED WITH 2.36/0.093 DIAMETER FEMALE TERMINALS.

3191-12R1-201	19-09-1126	NYLON66	94V-0	NATURAL
3191-12R1	19-09-1129	NYLON66	94V-2	NATURAL
ENG.NO.	EDP.NO.	MATERIAL	UL	COLOR

<b>REDRAWN</b> EC NO: UCP2011-1032 DRWN: JB INGHAM 2010/10/13 CHKD: MK IPPER 2010/10/13 APPR: FSMITH 2010/11/09	QUALITY SYMBOLS $\nabla=0$ $\nabla=0$ $\nabla=0$	GENERAL TOLERANCES (UNLESS SPECIFIED)		DIMENSION STYLE <b>MM ONLY</b>	SCALE ---	DESIGN UNITS <b>METRIC</b>	THIRD ANGLE PROJECTION		
		4 PLACES ± --- ± --- 3 PLACES ± --- ± --- 2 PLACES ± 0.25 ± --- 1 PLACE ± 0.35 ± ---	mm INCH	DRAWN BY JB INGHAM	DATE 2010/10/13	TITLE <b>HOUSING RECEPTACLE 12-CIRCUIT (UNIVERSAL)</b>			
		ANGULAR ± 1/2°		CHECKED BY MK IPPER	DATE 2010/10/13	MOLEX INCORPORATED			
		DRAFT WHERE APPLICABLE MUST REMAIN WITHIN DIMENSIONS		APPROVED BY FSMITH	DATE 2010/11/09	MATERIAL NO. <b>SEE CHART</b>	DOCUMENT NO. <b>SD-3191-12R1*-*</b>	SHEET NO. <b>1 OF 1</b>	

9 8 7 6 5 4 3 2 1