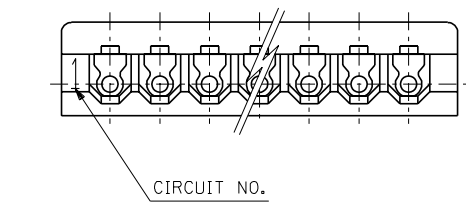
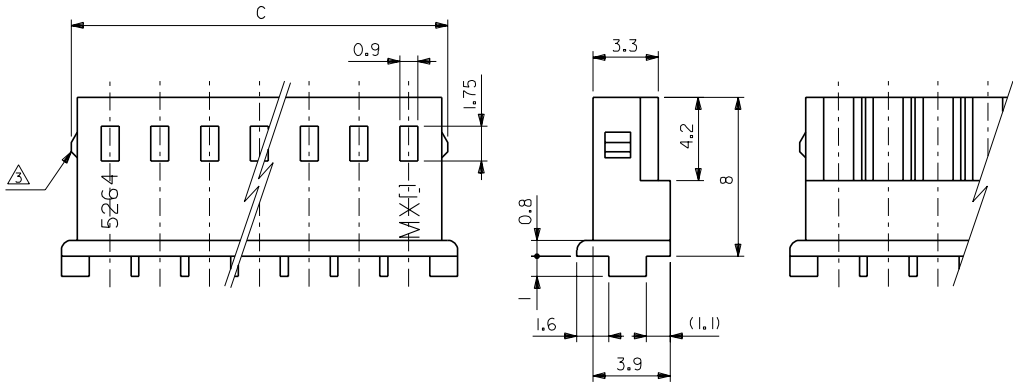


注記:
1. 適合端子: 5263PBT
2. 嵌合相手: 5267シリーズ, 5268シリーズ
3. 9極以上はロックなし。



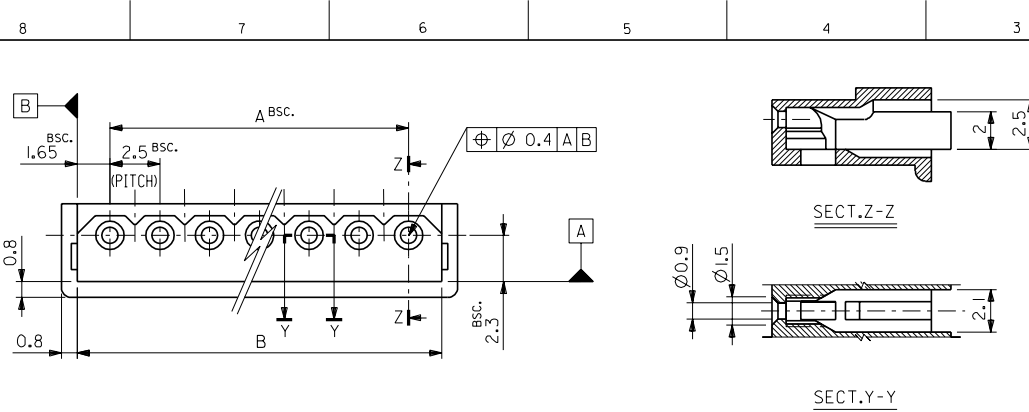
| | | | | | | |
|--|------|------|------------|------------|----------|----|
| | 38.3 | 35 | 50-37-5153 | 5264-15 | 15 | |
| | 35.8 | 32.5 | -5143 | -14 | 14 | |
| | 33.3 | 30 | -5133 | -13 | 13 | |
| | 30.8 | 27.5 | -5123 | -12 | 12 | |
| | 28.3 | 25 | -5113 | -11 | 11 | |
| | 25.8 | 22.5 | -5103 | -10 | 10 | |
| | 23.3 | 20 | -5093 | -09 | 9 | |
| | 21.4 | 20.8 | 17.5 | -5083 | -08 | 8 |
| | 18.9 | 18.3 | 15 | -5073 | -07 | 7 |
| | 16.4 | 15.8 | 12.5 | -5063 | -06 | 6 |
| | 13.9 | 13.3 | 10 | -5053 | -05 | 5 |
| | 11.4 | 10.8 | 7.5 | -5043 | -04 | 4 |
| | 8.9 | 8.3 | 5 | -5033 | -03 | 3 |
| | 6.4 | 5.8 | 2.5 | 50-37-5023 | 5264-02 | 2 |
| | C | B | A | EDP NO. | ENG. NO. | 極数 |

| | | | | | |
|-------------------------|-------|-----------------|----------------------|-------------------------------------|------------------------------------|
| 材料 MATERIAL | | 66ナイロン UL94V-0 | | MOLEX-JAPAN CO.,LTD. 日本モレックス株式会社 | |
| 仕上げ FINISH | | — | | EDP. NO. 50-37-5**3 | |
| 適用電線範囲 WIRE RANGE | | — | | ENG. NO. SD-5264-N | |
| 被覆外径 INS. RANGE | | — | | REV H | |
| 角度 ANGLE | ±3° | 記号 LTR | 変更内容 REVISION RECORD | DR. CHK. DATE | TITLE 名称 |
| 30以上 OVER | ±0.3 | H | 再作図及び変更(10590) | 9/17/26 | 2.5 LOW PROFILE RECEPTACLE HOUSING |
| 10以上 OVER 未満 30 UNDER | ±0.25 | | | | 尺度 SCALE 5-1 |
| 10 UNDER | ±0.2 | | | | |
| 一般公差 GENERAL TOLERANCES | | REVISION RECORD | | | |

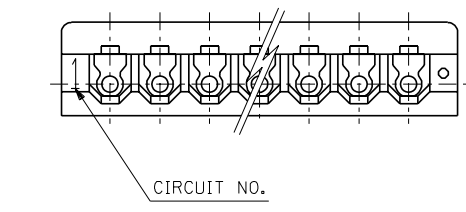
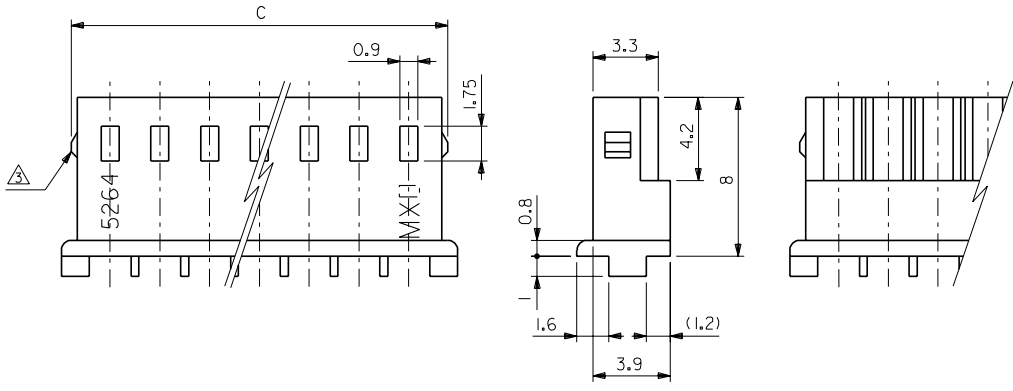
THIS DRAWING CONTAINS INFORMATION THAT IS PROPRIETARY TO MOLEX/JAPAN AND SHOULD NOT BE USED WITHOUT WRITTEN PERMISSION
本図面は日本モレックス(株)の所有する情報を含むもので 当社の許可なく複製を禁止する。 MXJ-8

EDP NO. 50-37-5**3
 ENG. NO. SD-5264-N

1:MM DIMENSIONS IN METRIC DO NOT SCALE DRAWING



NOTES:
 1. SUITABLE TERMINAL : 5263SERIES
 2. MATES WITH : 5267SERIES,5268SERIES
 ③ 9 CIRCUITS OR MORE WITHOUT LOOK.



| | | | | | | |
|--|------|------|------------|------------|---------|------|
| | 50.8 | 47.5 | 50-37-5203 | 5264-20 | 20 | |
| | 48.3 | 45 | -5193 | -19 | 19 | |
| | 45.8 | 42.5 | -5183 | -18 | 18 | |
| | 43.3 | 40 | -5173 | -17 | 17 | |
| | 40.8 | 37.5 | -5163 | -16 | 16 | |
| | 38.3 | 35 | -5153 | -15 | 15 | |
| | 35.8 | 32.5 | -5143 | -14 | 14 | |
| | 33.3 | 30 | -5133 | -13 | 13 | |
| | 30.8 | 27.5 | -5123 | -12 | 12 | |
| | 28.3 | 25 | -5113 | -11 | 11 | |
| | 25.8 | 22.5 | -5103 | -10 | 10 | |
| | 23.3 | 20 | -5093 | -09 | 9 | |
| | 21.4 | 20.8 | 17.5 | -5083 | -08 | 8 |
| | 18.9 | 18.3 | 15 | -5073 | -07 | 7 |
| | 16.4 | 15.8 | 12.5 | -5063 | -06 | 6 |
| | 13.9 | 13.3 | 10 | -5053 | -05 | 5 |
| | 11.4 | 10.8 | 7.5 | -5043 | -04 | 4 |
| | 8.9 | 8.3 | 5 | -5033 | -03 | 3 |
| | 6.4 | 5.8 | 2.5 | 50-37-5023 | 5264-02 | 2 |
| | C | B | A | EDP NO. | ENG.NO. | CKT. |

| | | |
|------------------------------------|-------------------|-------------------------------------|
| 材料 MATERIAL | 66NYLON,UL94V-0 | MOLEX-JAPAN CO.,LTD. 日本モレックス株式会社 |
| 仕上げ FINISH | — | EDP. NO. |
| 適用電線範囲 WIRE RANGE | — | 50-37-5**3 |
| 被覆外径 INS. RANGE | — | ENG. NO. |
| DRAWN BY K.T.OJO '91/11/5 | CHK'D BY '92/01/5 | SD-5264-N |
| APP'D BY '92/01/5 | MENOMOTO | REV |
| 尺度 SCALE | 5-1 | H |
| TITLE 名称 | | |
| 2.5 LOW PROFILE RECEPTACLE HOUSING | | |

| | |
|-------------------------|-------|
| 角度 ANGLE | ±3° |
| 30以上 OVER | ±0.3 |
| 10以上 未滿 UNDER | ±0.25 |
| 10以下 未滿 UNDER | ±0.2 |
| 一般公差 GENERAL TOLERANCES | |

REVISION RECORD
 記号 LTR
 変更内容 REVISION RECORD
 日付 DATE
 日付 DATE
 日付 DATE

REVISION RECORD
 記号 LTR
 変更内容 REVISION RECORD
 日付 DATE
 日付 DATE
 日付 DATE

THIS DRAWING CONTAINS INFORMATION THAT IS PROPRIETARY TO MOLEX(JAPAN) AND SHOULD NOT BE USED WITHOUT WRITTEN PERMISSION
 本図面は日本モレックス(株)の所有する情報を含むもので 当社の許可なく複製を禁止する。