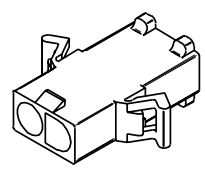
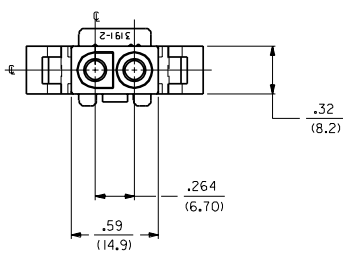
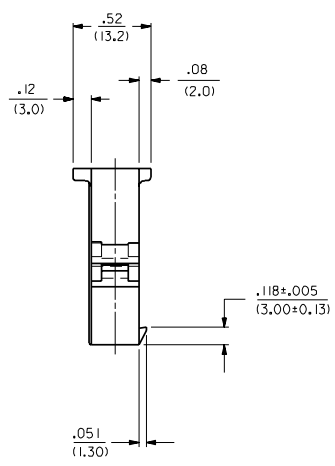
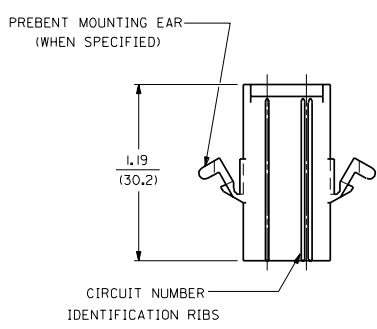
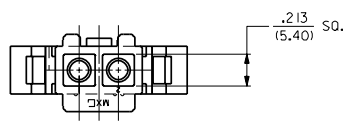


13 12 11 10 9 8 7 6 3191 4 3 2 1



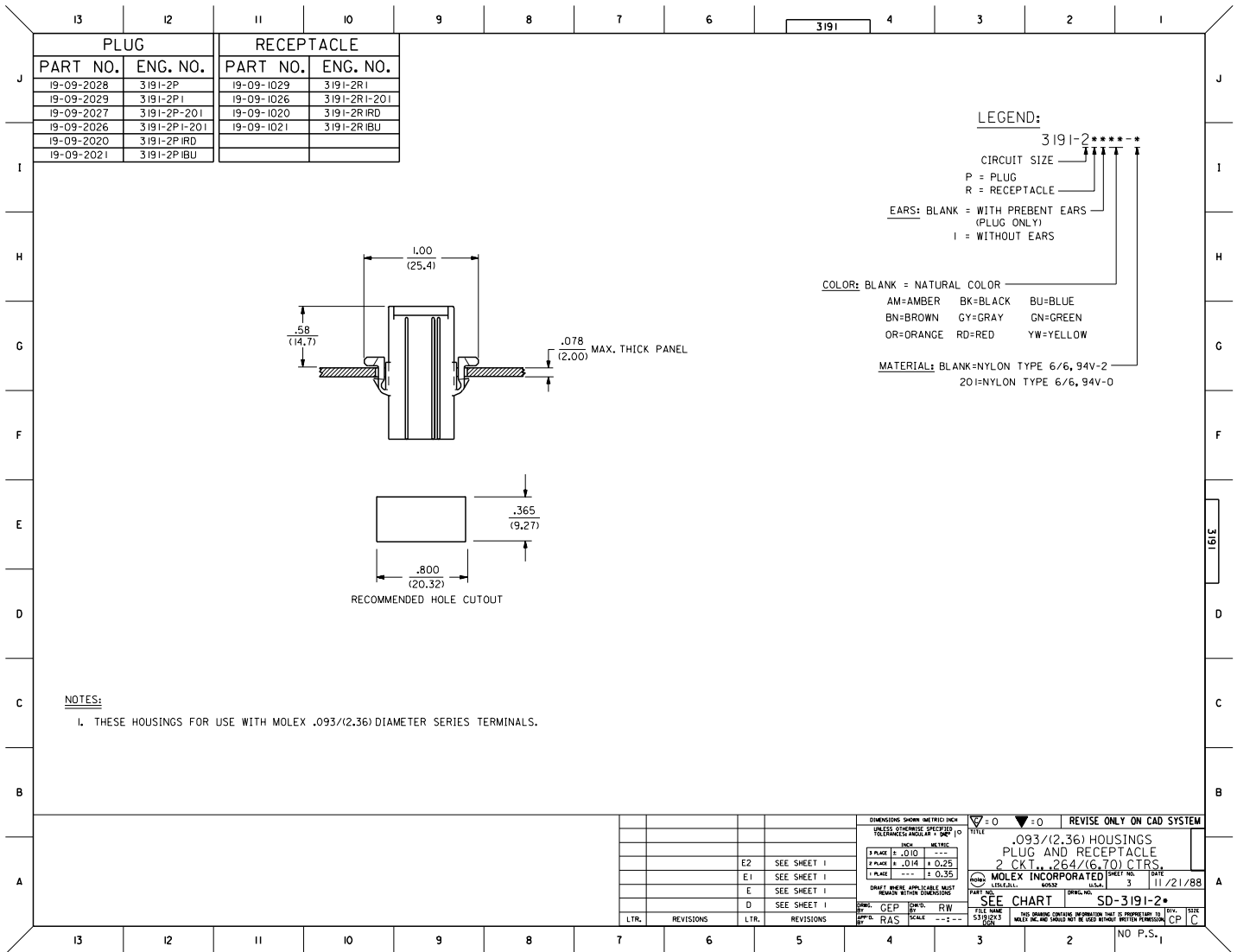
PLUG

E4	REVISED LICR 888-D148 WANG 98-04-15
E3	ADD RAMP DIM'S EEN #U4 D283 3-1-94 RW
E2	X-REMOVE ECR U3 0001 C/C 12/30/92 RW
E1	REL. RED. VERSIONS ECR U1 2167 C/C 1/24/92 RW
E	REV. MATL CODE ECR # 190901 KSW 07-25-89 RW
D	REV. & REDRAWN ECR U8 1858 GEP 11-21-88 RW
C	
B	
A	

DIMENSIONS SHOWN: METRIC INCH		TITLE		REVISE ONLY ON CAD SYSTEM																							
UNLESS OTHERWISE SPECIFIED: TOLERANCES ANGULAR ± .50° 1.0°		.093/(2.36) HOUSING, PLUG AND RECEPTACLE, 2 CKT., ±.264/(6.70) CTRS.		SHEET NO. DATE																							
<table border="1"> <tr> <th></th> <th>INCH</th> <th>METRIC</th> </tr> <tr> <td>3 PLACE</td> <td>± .010</td> <td>---</td> </tr> <tr> <td>2 PLACE</td> <td>± .014</td> <td>± 0.25</td> </tr> <tr> <td>1 PLACE</td> <td>---</td> <td>± 0.35</td> </tr> </table>			INCH	METRIC	3 PLACE	± .010	---	2 PLACE	± .014	± 0.25	1 PLACE	---	± 0.35	<table border="1"> <tr> <td>3</td> <td>E2</td> </tr> <tr> <td>2</td> <td>D</td> </tr> <tr> <td>1</td> <td>E4</td> </tr> </table>		3	E2	2	D	1	E4	<table border="1"> <tr> <td>SH.</td> <td>REV.</td> <td>LTR.</td> <td>REVISIONS</td> </tr> </table>		SH.	REV.	LTR.	REVISIONS
	INCH	METRIC																									
3 PLACE	± .010	---																									
2 PLACE	± .014	± 0.25																									
1 PLACE	---	± 0.35																									
3	E2																										
2	D																										
1	E4																										
SH.	REV.	LTR.	REVISIONS																								
DRAFT WHERE APPLICABLE MUST REMAIN WITHIN DIMENSIONS		<table border="1"> <tr> <td>DRWG. NO.</td> <td>SD-3191-2</td> </tr> </table>		DRWG. NO.	SD-3191-2	<table border="1"> <tr> <td>MOLEX INCORPORATED</td> <td>U.S.A.</td> </tr> </table>		MOLEX INCORPORATED	U.S.A.																		
DRWG. NO.	SD-3191-2																										
MOLEX INCORPORATED	U.S.A.																										
<table border="1"> <tr> <td>DRWG. BY</td> <td>GEP</td> <td>DRWG. BY</td> <td>RW</td> </tr> <tr> <td>APP'D.</td> <td>RAS</td> <td>SCALE</td> <td>2 : 1</td> </tr> </table>		DRWG. BY	GEP	DRWG. BY	RW	APP'D.	RAS	SCALE	2 : 1	<table border="1"> <tr> <td>FILE NAME</td> <td>531912X1</td> </tr> </table>		FILE NAME	531912X1	<table border="1"> <tr> <td>NO. DRAWING CONTAINS INFORMATION THAT IS PROPRIETARY TO MOLEX INC. AND SHOULD NOT BE USED WITHOUT WRITTEN PERMISSION.</td> <td>CP</td> </tr> </table>		NO. DRAWING CONTAINS INFORMATION THAT IS PROPRIETARY TO MOLEX INC. AND SHOULD NOT BE USED WITHOUT WRITTEN PERMISSION.	CP										
DRWG. BY	GEP	DRWG. BY	RW																								
APP'D.	RAS	SCALE	2 : 1																								
FILE NAME	531912X1																										
NO. DRAWING CONTAINS INFORMATION THAT IS PROPRIETARY TO MOLEX INC. AND SHOULD NOT BE USED WITHOUT WRITTEN PERMISSION.	CP																										

13 12 11 10 9 8 7 6 5 4 3 2 1

NO P.S.



PLUG		RECEPTACLE	
PART NO.	ENG. NO.	PART NO.	ENG. NO.
19-09-2028	3191-2P	19-09-1029	3191-2R1
19-09-2029	3191-2P1	19-09-1026	3191-2R1-201
19-09-2027	3191-2P-201	19-09-1020	3191-2R1RD
19-09-2026	3191-2P1-201	19-09-1021	3191-2R1BU
19-09-2020	3191-2P1RD		
19-09-2021	3191-2P1BU		

**LEGEND:**

3191-2\*\*\*\*-\*

CIRCUIT SIZE

P = PLUG  
R = RECEPTACLE

EARS: BLANK = WITH PREBENT EARS (PLUG ONLY)  
I = WITHOUT EARS

COLOR: BLANK = NATURAL COLOR  
AM=AMBER BK=BLACK BU=BLUE  
BN=BROWN GY=GRAY GN=GREEN  
OR=ORANGE RD=RED YW=YELLOW

MATERIAL: BLANK=NYLON TYPE 6/6, 94V-2  
20=NYLON TYPE 6/6, 94V-0

**NOTES:**  
1. THESE HOUSINGS FOR USE WITH MOLEX .093/(2.36) DIAMETER SERIES TERMINALS.

UNLESS OTHERWISE SPECIFIED DIMENSIONS SHOWN IN METRIC INCH		REVISE ONLY ON CAD SYSTEM	
TOLERANCES UNLESS OTHERWISE SPECIFIED		TITLE	
FRACTIONS .010 ---		.093/(2.36) HOUSINGS	
DECIMALS .014 x 0.25		PLUG AND RECEPTACLE	
ANGLES 1 0.35		2 CKT .264/(6.70) CTRS	
DIMENSIONS ARE APPLICABLE UNLESS OTHERWISE SPECIFIED		MOLEX INCORPORATED	
REVISIONS WITHIN DIMENSIONS		SHEET NO. 3	
DATE: 11/21/88		DATE: 11/21/88	
DRAWN: GEP		DRAWN: RW	
CHECKED: RAS		CHECKED: RW	
SCALE: 1:1		SCALE: 1:1	
PART NO. SD-3191-2*		PART NO. SD-3191-2*	
FILE NAME: 3191-2.PLS		FILE NAME: 3191-2.PLS	
THIS DRAWING CONTAINS INFORMATION THAT IS PROPRIETARY TO MOLEX INC. AND SHOULD NOT BE USED WITHOUT WRITTEN PERMISSION.		THIS DRAWING CONTAINS INFORMATION THAT IS PROPRIETARY TO MOLEX INC. AND SHOULD NOT BE USED WITHOUT WRITTEN PERMISSION.	
NO P.S.1		NO P.S.1	