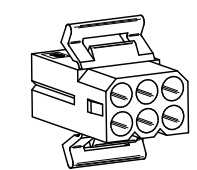
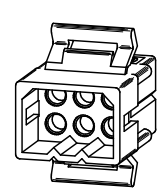
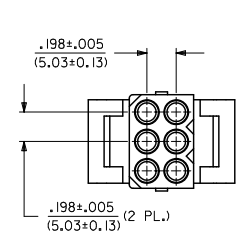
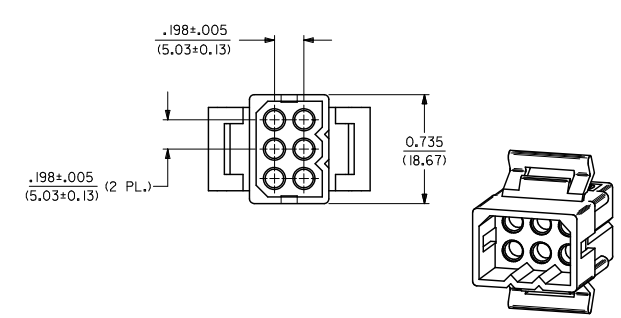
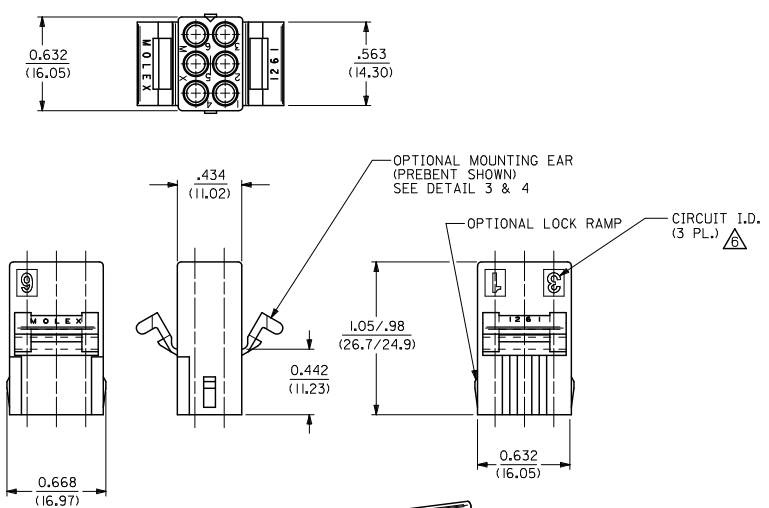
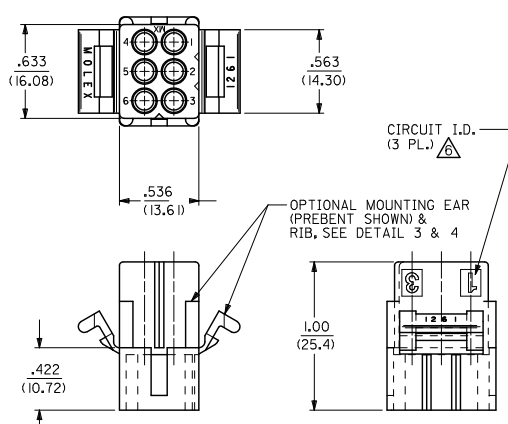


13 12 11 10 9 8 7 6 5 4 3 2 1

J
I
H
G
F
E
D
C
B
A

J
I
H
G
F
E
D
C
B
A



RECEPTACLE

PLUG

UPDATE REV. LEVEL EC NO. UCP2011-1525 DRW: AELHAG 2010/11/23 CHK: JBELL 2010/11/24 APPR: FSMTTH 2010/12/03	QUALITY SYMBOLS ▽=0 ▽=0	GENERAL TOLERANCES (UNLESS SPECIFIED)		DIMENSION STYLE IN/MM	SCALE 2:1	DESIGN UNITS INCH	THIRD ANGLE PROJECTION		
		4 PLACES ±.007 ±.007 3 PLACES ±.018 ±.010 2 PLACES ±0.25 ±.010 1 PLACE ±0.25 ±.010	mm INCH	DRAWN BY DATE AELHAG 2010/11/23	TITLE .093/(2.36) HOUSING, PLUG AND RECEPTACLE, 6 CKT., .198/(5.03)CTRS.				
		ANGULAR ± 2°	SEE CHART	CHECKED BY DATE JBELL 2010/11/24	MOLEX INCORPORATED				
		DRAFT WHERE APPLICABLE MUST REMAIN WITHIN DIMENSIONS	MATERIAL NO. SD-1261-* DOCUMENT NO. SD-1261-*	APPROVED BY DATE FSMTTH 2010/12/03	THIS DRAWING CONTAINS INFORMATION THAT IS PROPRIETARY TO MOLEX INCORPORATED AND SHOULD NOT BE USED WITHOUT WRITTEN PERMISSION				

12 11 10 9 8 7 6 5 4 3 2 1

PLUG		RECEPTACLE	
PART NO.	ENG. NO.	PART NO.	ENG. NO.
03-09-2061	I261-P	03-09-1061	I261-R
23-09-2061	I261-P-100	23-09-1061	I261-R-100
03-09-2062	I261-P1	03-09-1062	I261-R1
23-09-2062	I261-P1-100	23-09-1062	I261-R1-100
03-09-7061	I261-PBK	03-09-1063	I261-R2
03-09-7062	I261-P1BK	23-09-1063	I261-R2-100
27-09-2093	I261-P1-200	03-09-1064	I261-R3
		27-09-1063	I261-R2-200
		03-09-6064	I261-R3BK
		03-09-6063	I261-R2BK
		03-09-6062	I261-R1BK
		03-09-6061	I261-RBK

LEGEND: PLUG

I261-P***-***
P = PLUG
BLANK = PLUG WITH PREBENT MOUNTING EARS
I = PLUG WITHOUT MOUNTING EARS

COLOR: BLANK=NATURAL COLOR
AM=AMBER BK=BLACK BU=BLUE
BN=BROWN GY=GRAY GN=GREEN
OR=ORANGE RD=RED YW=YELLOW

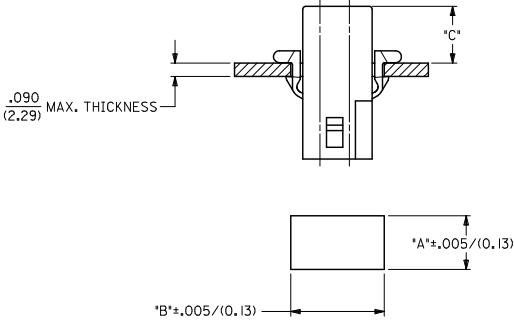
MATERIAL: BLANK = NYLON 6/6, U.L. 94V-2
100 = POLYPROPYLENE, U.L. 94V-0
200 = NYLON 6/6, U.L. 94V-0, RED

LEGEND: RECEPTACLE

I261-R***-***
R = RECEPTACLE
BLANK = WITH STD. MOUNTING EARS, WITH LOCK RAMPS
1 = WITH STD. MOUNTING EARS, WITHOUT LOCK RAMPS
2 = WITHOUT MOUNTING EARS, WITHOUT LOCK RAMPS
3 = WITHOUT MOUNTING EARS, WITH LOCK RAMPS
4 = WITH PREBENT MOUNTING EARS, WITH LOCK RAMPS
5 = WITH PREBENT MOUNTING EARS, WITHOUT LOCK RAMPS

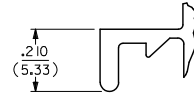
COLOR: BLANK=NATURAL COLOR
AM=AMBER BK=BLACK BU=BLUE
BN=BROWN GY=GRAY GN=GREEN
OR=ORANGE RD=RED YW=YELLOW

MATERIAL: BLANK = NYLON 6/6, U.L. 94V-2
100 = POLYPROPYLENE, U.L. 94V-0
200 = NYLON 6/6, U.L. 94V-0, RED



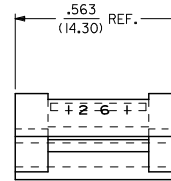
MOUNTING HOLE CUTOUT

HOUSING	DIM. "A"	DIM. "B"	DIM. "C" (STD. EAR)	DIM. "C" (PREBENT)
PLUG	.750/(19.05)	.695/(17.65)	.39/(9.9)	.40/(10.1)
RECEPTACLE	.718/(18.24)	.600/(15.24)	.40/(10.1)	.41/(10.3)



DETAIL 3

.093/(2.36) STANDARD MOUNTING EAR (SCALE 4:1)



DETAIL 4

.093/(2.36)PREBENT MOUNTING EAR (SCALE 4:1)

NOTES:

- MATERIAL: SEE LEGEND
- FINISH: NONE
- PRODUCT SPECIFICATION: PS-43660-9999
- PACKAGING INFORMATION: FK-1261-001
- HOUSINGS FOR USE WITH MOLEX .093/(2.36) PIN AND SOCKET TERMINALS.
- CIRCUIT I.D. NUMBERS ON SIDE OF HOUSING APPEAR ON PARTS FROM TOOLS BUILT AFTER 9/3/91.
- WHERE DENOTED IN CHART, TOOLS ARE BUILT WITH PREBENT MOUNTING EARS PER DETAIL 4 AND SUPERSEDE ALL TOOLS PREVIOUSLY BUILT WITH THE STANDARD MOUNTING EAR.
- TEXT AND CIRCUIT IDENTIFIERS ARE SHOWN IN APPROXIMATE LOCATION BUT MAY VARY TO ACCOMMODATE TOOLING.

DEL UV MAT'L & P/N EC NO. UCP2011-1525 DRW: AELHAG 2010/11/23 CHK: JBELL 2010/11/24 APPR: FSMITH 2010/12/03	QUALITY SYMBOLS ▽=0 ▽=0	GENERAL TOLERANCES (UNLESS SPECIFIED) mm INCH 4 PLACES ±.007 ±.007 3 PLACES ±.018 ±.010 2 PLACES ±0.25 ±.010 1 PLACE ±0.25 ±.010 ANGULAR ± 2°		DIMENSION STYLE IN/MM DRAWN BY DATE AELHAG 2010/11/23 CHECKED BY DATE JBELL 2010/11/24 APPROVED BY DATE FSMITH 2010/12/03		SCALE 4:1 DESIGN UNITS INCH THIRD ANGLE PROJECTION	
		DRAFT WHERE APPLICABLE MUST REMAIN WITHIN DIMENSIONS		MATERIAL NO. SD-1261- DOCUMENT NO. SD-1261- SIZE C THIS DRAWING CONTAINS INFORMATION THAT IS PROPRIETARY TO MOLEX INCORPORATED AND SHOULD NOT BE USED WITHOUT WRITTEN PERMISSION		TITLE .093/(2.36) HOUSING, PLUG AND RECEPTACLE, 6 (KT., .198/(5.03)CTRS. MOLEX INCORPORATED SHEET NO. 2 OF 2	