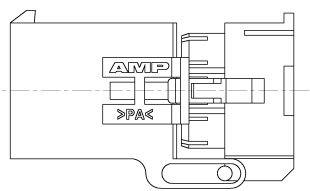
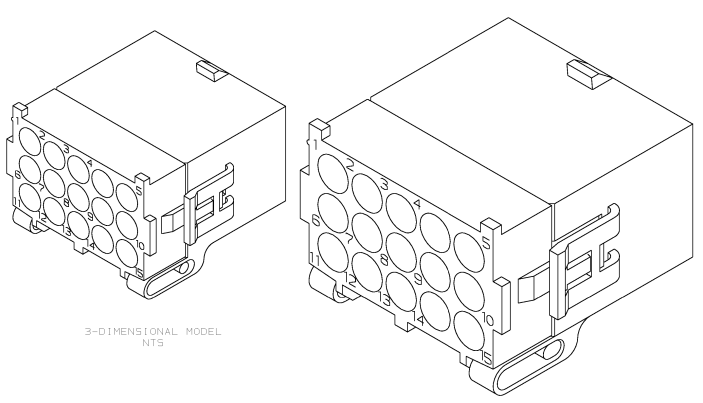
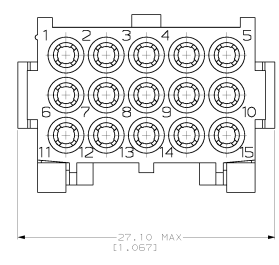
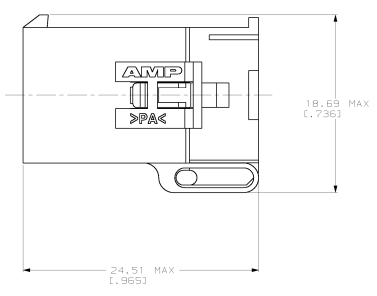
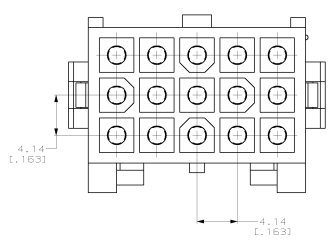


REV. NO.		REV. DATE		REVISIONS	
CM	53	11/19/99		REV PER EC	0618-0094-99



PRE-STAGED CONDITION

1. DIMENSIONS IN BRACKETS ARE IN INCHES.



3-DIMENSIONAL MODEL
 NTS

794205-1
 PART NUMBER

THIS DRAWING IS A CONTROLLED DOCUMENT.		DATE	BY	CHKD	APP'D
REV	DATE	BY	CHKD	APP'D	
1	11/19/99	CM	CM	CM	
MATERIALS		DATE	BY	CHKD	APP'D
NYLON	11/19/99	CM	CM	CM	
FINISH		DATE	BY	CHKD	APP'D
3.0000-NATURAL	11/19/99	CM	CM	CM	
CUSTOMER DRAWING		DATE	BY	CHKD	APP'D



AMP Incorporated
 15 CIRCUIT,
 MINI UNIVERSAL MATE-N-LOK™ 2