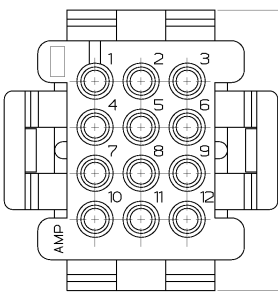


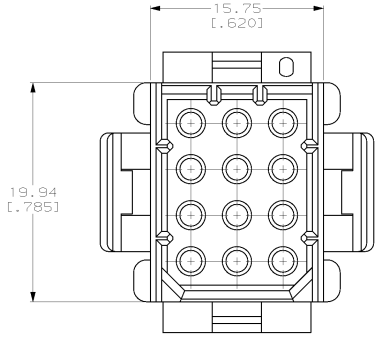
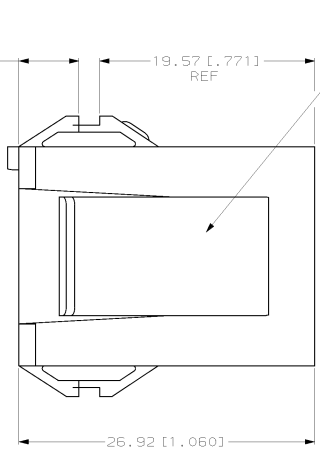
4 3 2 1

THIS DRAWING IS UNPUBLISHED. RELEASED FOR PUBLICATION
 © COPYRIGHT 19 BY AMP INCORPORATED. ALL RIGHTS RESERVED.

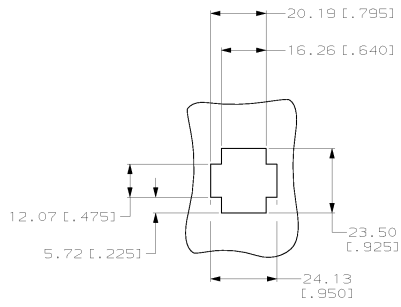
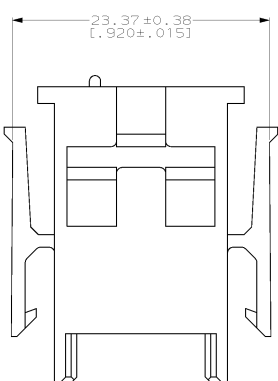
REV	DATE	DESCRIPTION	BY	CHK	APPD
CM	52				
D		REV PER EC 0L30-0015-97			



25.53 ± 0.38
[1.005 ± .015]



- MATES WITH HOUSING 640522.
- UL LOGO AND CSA LOGO TO APPEAR ON EITHER LATCH SURFACE PER AMP SPEC 202-20, I.D. NO. 1-18838-3 AND 1-18839-3. FROST BACKGROUND OPTIONAL.
- DIMENSIONS IN BRACKETS ARE IN INCHES.



RECOMMENDED CUT OUT
 FOR 1.73 [0.068] MAX THICK PANEL
 SCALE 1:1



1-640512-0
PART NUMBER

THIS DRAWING IS A CONTROLLED DOCUMENT		DR: R. VESTAL 7-12-96	AMP AMP Incorporated Harrisburg, PA 17105-3608
DIMENSIONS: mm (INCHES)		CHK: S. SWING 7-12-96	
DESIGNER: J. BENDI/CK		DATE: 7-12-96	NAME: HOUSING, CAP
MATERIAL: NYLON, UL 94V-0, NATURAL (BRICK RED)		PRODUCT SPEC: -	MR11
FINISH: -		APPLICATION SPEC: -	12 POSITION
DRAWING NO: A2100779		SCALE: 4:1	C-640512
CUSTOMER DRAWING		SHEET: 1 OF 1	REV: 0

640512

A