

4

3

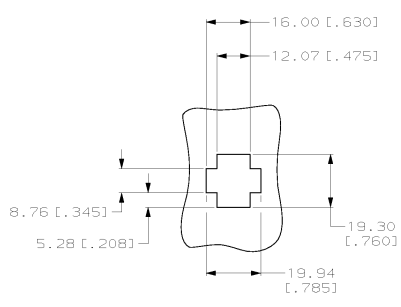
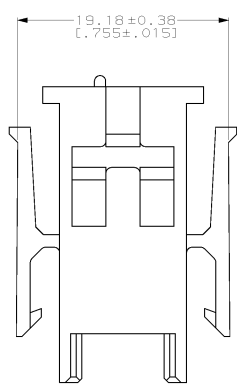
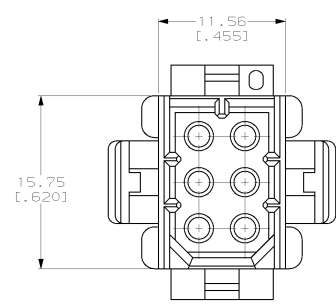
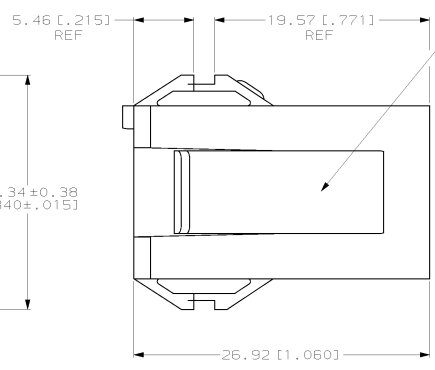
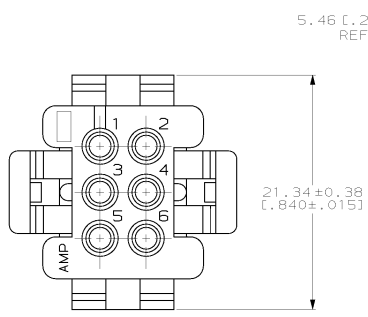
2

1

THIS DRAWING IS UNPUBLISHED.  
 © COPYRIGHT 19 BY AMP INCORPORATED. ALL RIGHTS RESERVED.

REV	DATE	DESCRIPTION	BY	CHK	APP'D
CM	52				
D		REV PER EC 0L30-0015-97			

- MATES WITH HOUSING 640520.
- UL LOGO AND CSA LOGO TO APPEAR ON EITHER LATCH SURFACE PER AMP SPEC 202-20, I.D. NO. 1-18838-3 AND 1-18839-3. FROST BACKGROUND OPTIONAL.
- DIMENSIONS IN BRACKETS ARE IN INCHES.



RECOMMENDED CUT OUT  
 FOR 1.73 [0.068] MAX THICK PANEL  
 SCALE 1:1



1-640510-0  
 PART NUMBER

THIS DRAWING IS A CONTROLLED DOCUMENT		DR: R. VESTAL 7-12-96	AMP Incorporated Harrisburg, PA 17105-3608
		CHK: S. SWING 7-12-96	
DIMENSIONS: mm (INCHES)		APP: A. BENDISZK 7-12-96	NAME: HOUSING, CAP
TOLERANCES UNLESS SPECIFIED:		PRODUCT SPEC: -	MR11
Ø PLC	±0.13 (0.005)	APPLICATION SPEC: -	6 POSITION
Ø PLC	±0.13 (0.005)	REWORK: -	SIZE: A2100779
Ø PLC	±0.13 (0.005)	CUSTOMER DRAWING	CASE CODE: C-640510
Ø PLC	±0.13 (0.005)		DRAWING NO:
Ø PLC	±0.13 (0.005)		SCALE: 4:1
Ø PLC	±0.13 (0.005)		SHEET: 1 OF 1
Ø PLC	±0.13 (0.005)		REV: 0

AMP 1471-9 REV 23FEB95  
 16-131-42 amp18726 /home/amp18726/uc-13-15-97