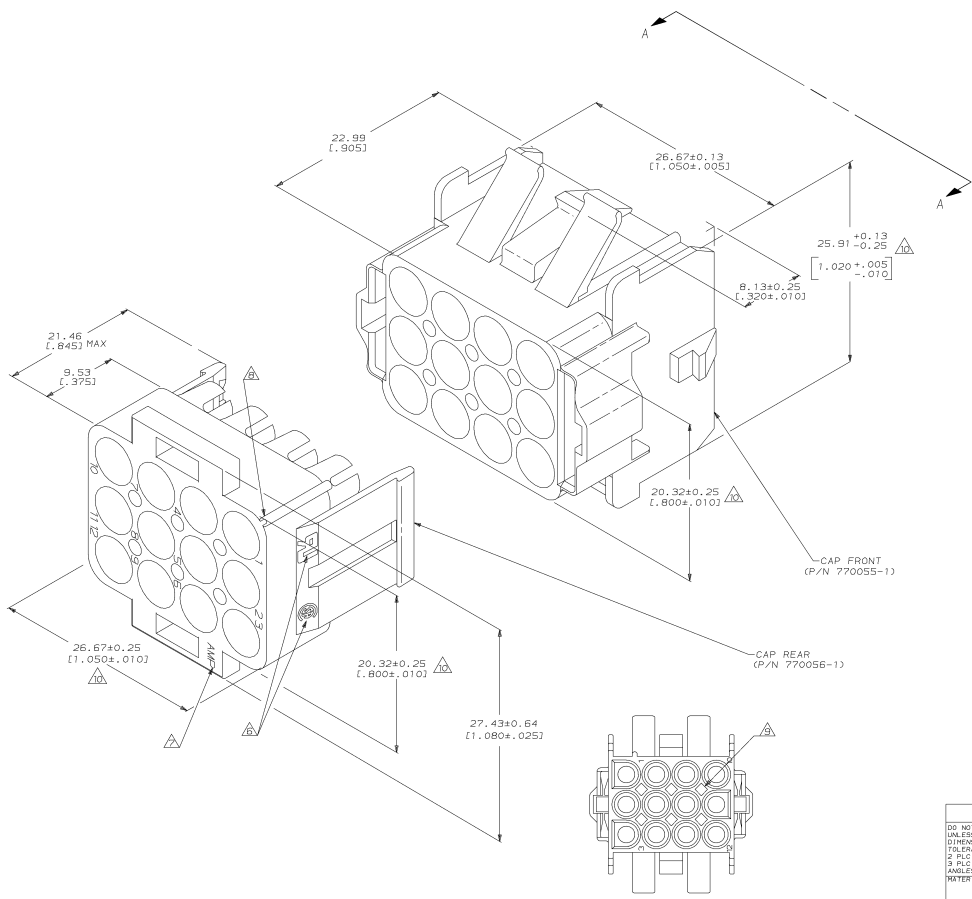
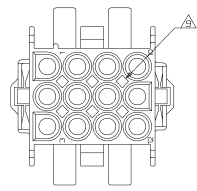
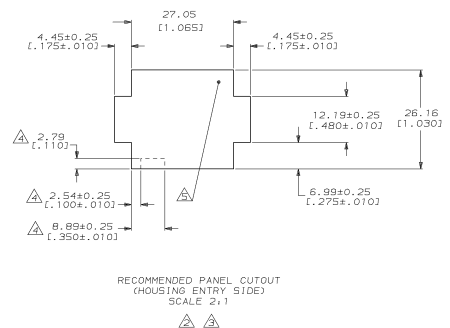


DRAWING MADE IN THIRD ANGLE PROJECTION
 THIS DRAWING IS UNPUBLISHED. RELEASED FOR PUBLICATION
 © copyright 19 BY AMP INCORPORATED. ALL INTERNATIONAL RIGHTS RESERVED.

REVOLUTIONS				DATE	APPD
LOC	REV	ZONE	DESCRIPTION		
CM	53	F			
		G	REV PER EC 0L30-0034-96		



- BULK PACKAGED, UNASSEMBLED.
- △ RECOMMENDED PANEL THICKNESS 0.76-2.29 [0.030-.090].
 - △ PANEL MUST BE PUNCHED SO THAT THE HOUSING ENTERS THE PANEL IN THE SAME DIRECTION AS THE PUNCH.
 - △ OPTIONAL FOR KEYING HOUSING IN PANEL.
 - △ CIRCUIT NO. 1 LOCATON.
 - △ APPROVAL AGENCY LOGO LOCATED APPROXIMATELY AS SHOWN.
 - △ AMP LOGO LOCATED THIS SURFACE.
 - △ CIRCUIT NUMBER ONE IDENTIFICATION RIB AND CIRCUIT IDENTIFICATION NUMBERS ARE EACH LOCATED ADJACENT TO THE APPROPRIATE CIRCUIT CAVITIES.
 - △ OPTIONAL CONSTRUCTION PROVIDES ROUND MATERIAL REDUCTION CORING HOLES.
 - △ DIMENSION INDICATED IS AS MOLDED. ADDITIONAL GROWTH DUE TO SUBSEQUENT MOISTURE ABSORPTION MAY OCCUR.



DO NOT SCALE PRINT. UNLESS SPECIFIED, DIMENSIONS IN INCHES (SPACES) ON 1/16 INCHES.		DR 1-22-32 K. SARON	AMP INCORPORATED Morton, Pa. 17105	
2 P/LC DEC # 6.13 (.005)		CHR 1-22-32 S. BANE	NAME	
MATERIAL NYLON, UL94V-0,		APPD 1-22-32 M. TROTT	CAP HOUSING KIT, 12 CIRCUIT, UNIVERSAL MATE-N-LOK™ II	
FINISH		PRODCT SPEC	SIZE D	PSOR NO 00779
APPLICATION SPEC		WEIGHT	SCALE 5:1	DRAWING NO 770029
				SHEET 1 OF 1

CUSTOMER DRAWING