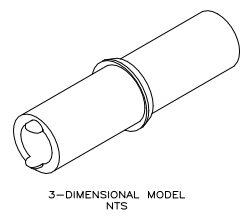
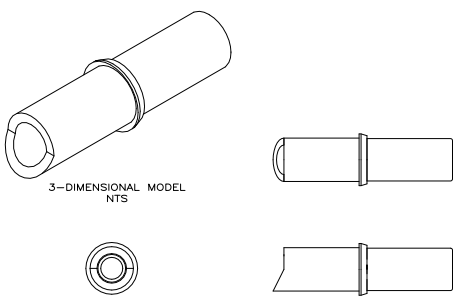
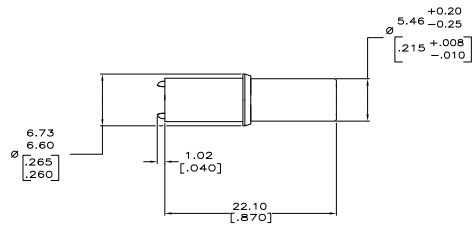
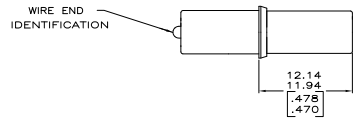


1. TO BE USED WITH APPROPRIATE COMMERCIAL MATE-N-LOK SOCKETS.
2. MATES WITH CAP 480350 OR 480351.
3. DIMENSIONS IN BRACKETS ARE IN INCHES.



BLUE	1-480349-6
GREEN	1-480349-5
RED	1-480349-2
NATURAL	1-480349-0
COLOR	PART NO.

THIS DRAWING IS A CONTROLLED DOCUMENT.		REV. SALMON	3-8-11
DRAWN BY: [Symbol]		REV. SIBING	3-8-11
CHECKED BY: [Symbol]		REV. MARTIN	
APPROVED BY: [Symbol]		REV. [Symbol]	
MATERIAL: NYLON		REV. [Symbol]	
FINISH: [Symbol]		REV. [Symbol]	
TOLERANCES UNLESS SPECIFIED:		DATE: [Symbol]	
FRACTIONS: 1/16, 1/8, 1/4, 1/2, 3/4, 1, 2, 3, 4, 5, 6, 8, 10, 12, 16, 20, 24, 32, 40, 48, 60, 80, 96, 120, 144, 180, 240, 360, 480, 720, 1440		DRAWING NO: A100779	
DIMENSIONS: [Symbol]		PART NO: 480349	
MATERIAL: NYLON		CUSTOMER DRAWING	
DATE: [Symbol]		SHEET: 1 OF 1	