

Customer Information Sheet

DRAWING No.: M80-459XX98 SHT 2 OF 2 IF IN DOUBT - ASK (C) NOT TO SCALE THIRD ANGLE PROJECTION ALL DIMENSIONS IN mm

SPECIFICATION:

MATERIAL:
 HOUSING = GLASS-FILLED POLYAMIDE 46,
 UL94V-0, BLACK
 101LOK SCREW, COLLAR = STAINLESS STEEL
 SPRING = MUSIC WIRE

FINISH:
 SPRING = TIN COATED

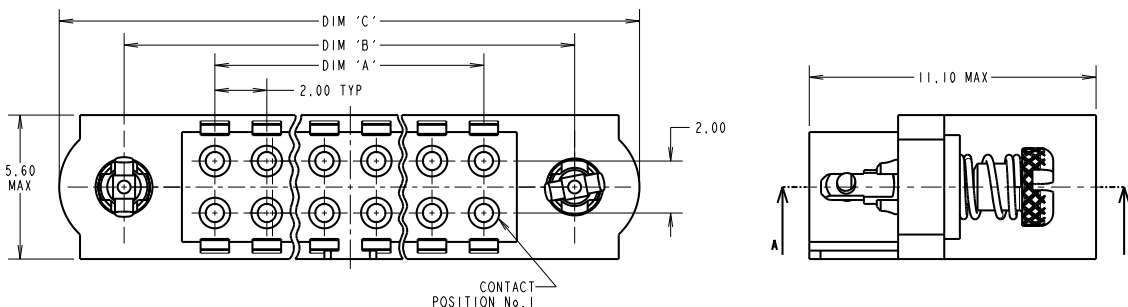
ELECTRICAL:
 CURRENT RATING AT 25°C = 3.0A MAX
 CURRENT RATING AT 85°C = 2.2A MAX
 WORKING VOLTAGE = 120V AC/DC
 VOLTAGE PROOF = 360V AC/DC
 CONTACT RESISTANCE = 25 mΩ MAX
 INSULATION RESISTANCE = 100 MΩ MIN

MECHANICAL:
 DURABILITY = 400 OPERATIONS
 INSERTION FORCE = 2.8N MAX
 WITHDRAWAL FORCE = 0.2N MIN

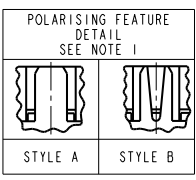
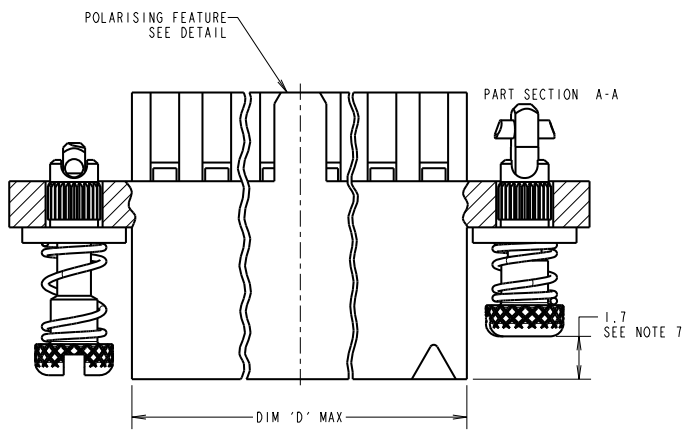
ENVIRONMENTAL:
 TEMPERATURE RANGE = -55°C TO +125°C

PACKING:
 BAG

FOR COMPLETE SPECIFICATION,
 SEE COMPONENT SPECIFICATION
 C040XX (LATEST ISSUE)



- NOTES:**
1. POLARISING FEATURE STYLE DEPENDANT ON NUMBER OF CONTACT POSITIONS.
 2. HOUSING TO BE USED WITH DATAMATE TRIO-TEK CRIMP CONTACTS:
 M80-25300XX = 24-22 AWG REELED
 M80-25400XX = 28-26 AWG REELED
 M80-28300XX = 24-22 AWG LOOSE
 M80-28400XX = 28-26 AWG LOOSE
 3. THE SPECIFICATION APPLIES WHEN HOUSING IS USED WITH THE ABOVE CONTACTS.
 4. CONTACT EXTRACTION TOOL = Z80-258.
 5. INSTRUCTION SHEETS ARE AVAILABLE.
 6. SPRING LOAD WHEN SOLID = 2.64N.
 SPRING RATE = 1.32N/mm.
 7. LENGTH WILL BE 1.7mm WHEN 101-SCREWS ARE ENGAGED WITH RETAINERS IN MATING CONNECTOR.



ORDER CODE:
M80-459XX98

TOTAL No. OF CONTACT POSITIONS: 04 TO 50 (EVEN NUMBERS ONLY)

PLEASE CONTACT
 datamate@harwin.com
 FOR CURRENT AVAILABILITY

SM	2	04.08.10	10890
NAME	ISS.	DATE	C/NOTE
APPROVED: S. MCCULLAGH			
CHECKED: R. ADDE			
DRAWN: S.FLOWER			
CUSTOMER REF.:			
ASSEMBLY DRG:			

DIMENSION	CALCULATION
DIM 'A'	TOTAL No. OF CONTACT POSITIONS - 2
DIM 'B'	TOTAL No. OF CONTACT POSITIONS + 5
DIM 'C'	TOTAL No. OF CONTACT POSITIONS + 10
DIM 'D'	TOTAL No. OF CONTACT POSITIONS + 0.59

EXAMPLE: CONNECTOR WITH 20 CONTACT POSITIONS, M80-4592098
 DIM 'A' = 18.00mm, DIM 'B' = 25.00mm, DIM 'C' = 30.00mm

HARWIN			THIS DRAWING AND ANY INFORMATION OR DESCRIPTIVE MATTER SET OUT HEREON ARE CONFIDENTIAL AND COPYRIGHT PROPERTY OF THE HARWIN GROUP AND MUST NOT BE DISCLOSED, LOANED, COPIED OR USED FOR MANUFACTURING, TENDERING OR FOR ANY OTHER PURPOSE WITHOUT THEIR WRITTEN PERMISSION.	TOLERANCES X. = ±1mm X.X = ±0.25mm X.XX = ±0.10mm X.XXX = ±0.01mm ANGLES = ±5° UNLESS STATED	MATERIAL: SEE ABOVE	TITLE: DATAMATE TRIO-TEK FEMALE CRIMP HOUSING WITH 101LOK JACKSCREWS
HARWIN USA TEL: 603 893 5376 FAX: 603 893 5396 mis@harwin.com	HARWIN Europe (UK) TEL: 023 9231 4545 FAX: 023 9231 4590 mis@harwin.co.uk	HARWIN Asia TEL: +65 6 779 4909 FAX: +65 6 779 3868 mis@harwin.com.sg		FINISH: S/FAREA: mm²	DRAWING NUMBER: M80-459XX98	SHT 2 OF 2