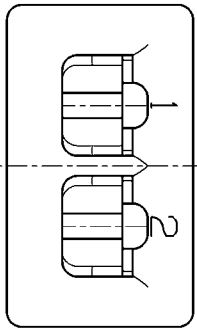
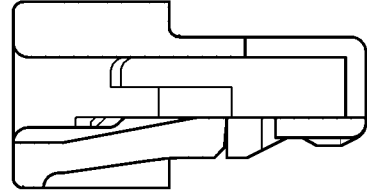
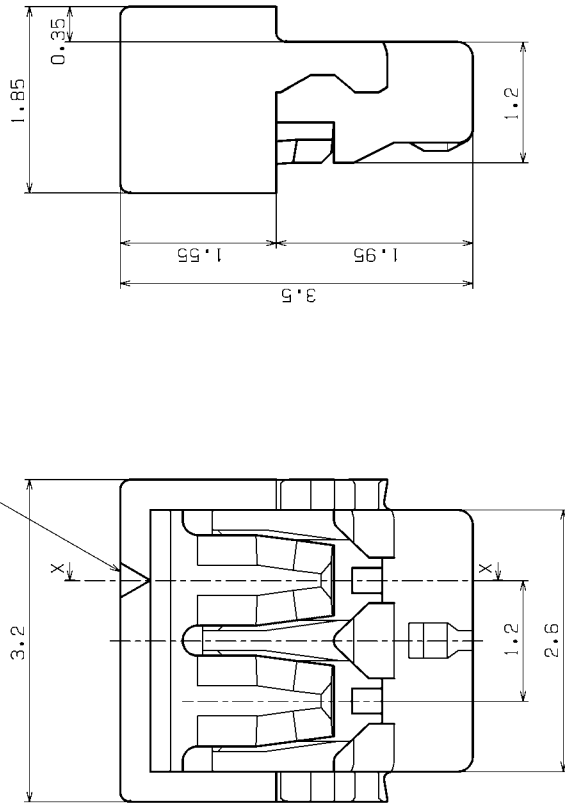


1 2 3 4 5 6 7 8

REV.	DESCRIPTION	DATE	DESIGNED
△			



No.1 circuit mark



X-Xsec.

NOTE
 1. Unless otherwise specified,
 tolerances are ± 0.3

SOCKET HOUSING		PBT		MATERIAL		SURFACE FINISH		REMARKS	
No.		PART NAME		SCALE		PROJECTION DATE		CUSTOMER	
SIZE		UNIT		CHECKED		DESIGNED		DRAWN	
A3		METRIC 20:1		Y.U		K.M		M.O	
APPROVED		M.H		Y.U		K.M		M.O	
SERIES NAME		ACH CONNECTOR		PART No.		ACHTR-02V-S		DRAWING No.	
KRD-39063		KRD-39063		KRD-39063		KRD-39063		RO	
UL94V-0, NATURAL (WHITE)									



J.S.T. MFG. CO., LTD.

THIS DRAWING CONTAINS INFORMATION THAT IS PROPRIETARY TO J.S.T. AND SHOULD NOT BE USED WITHOUT WRITTEN PERMISSION.

EC4109-2